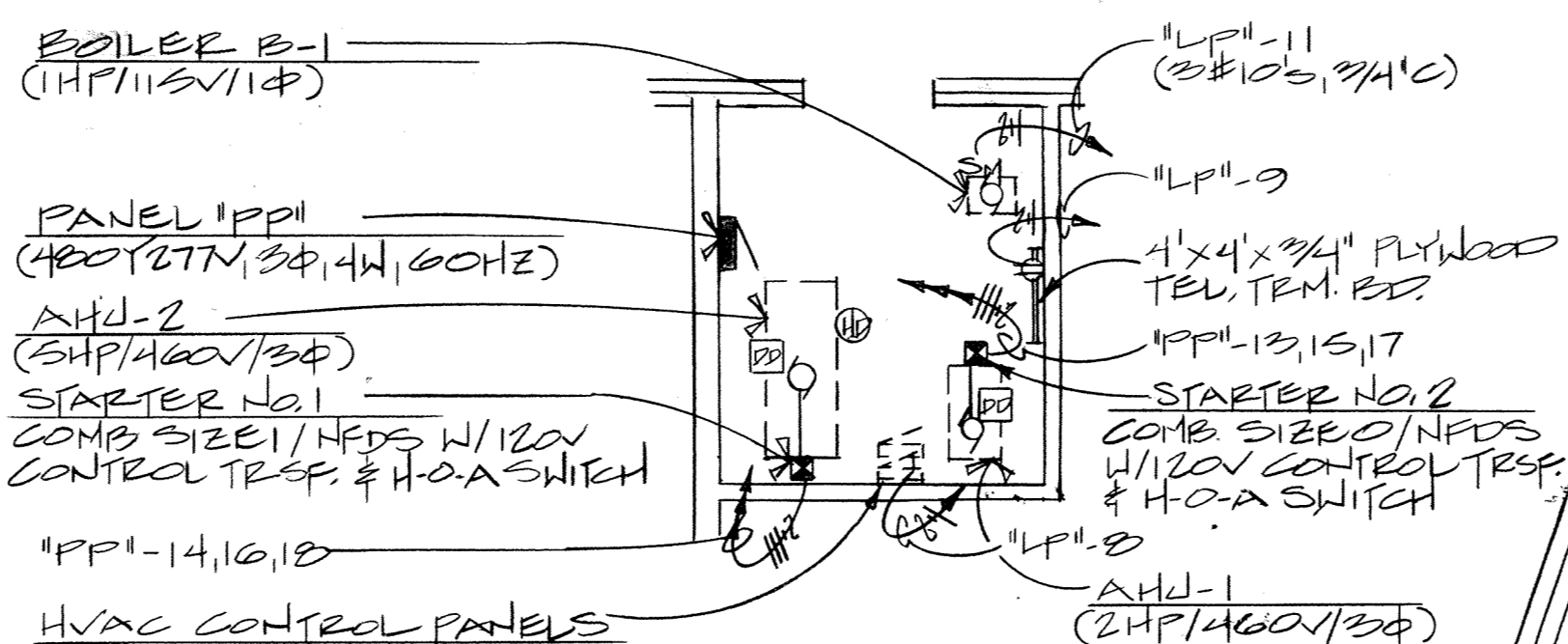
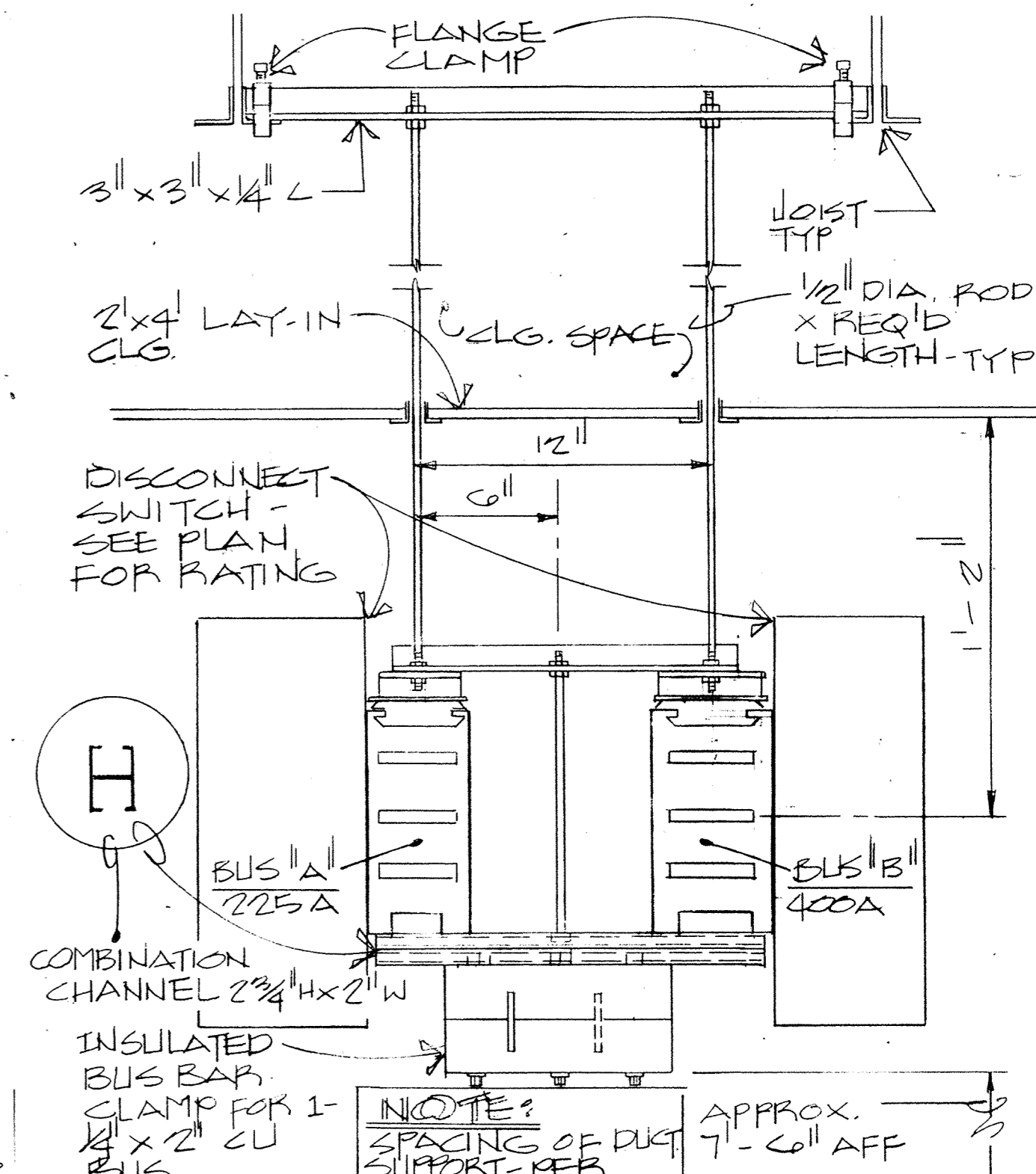


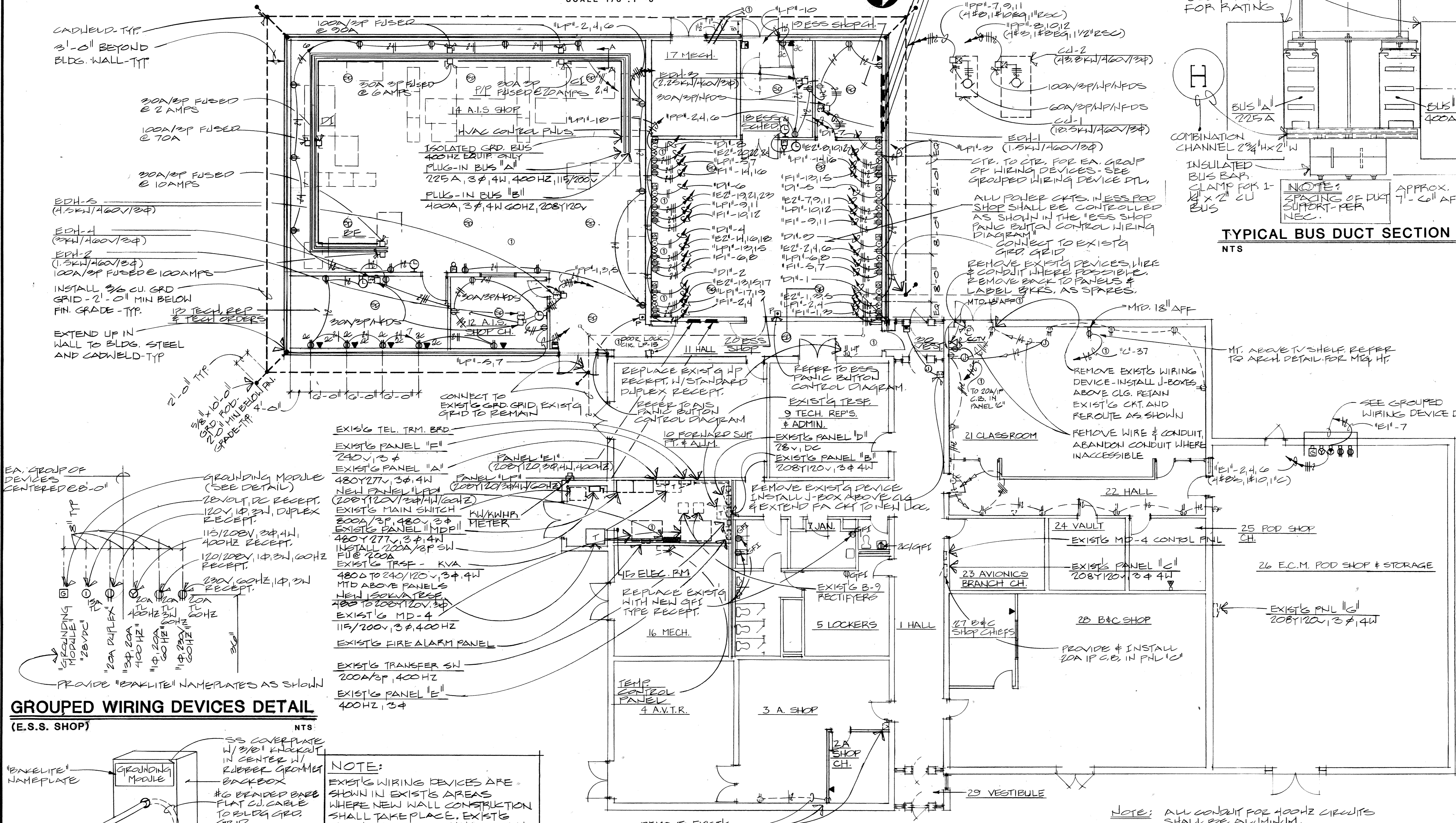
GROUPED WIRING DEVICES DETAIL
(POD SHOP) NTS



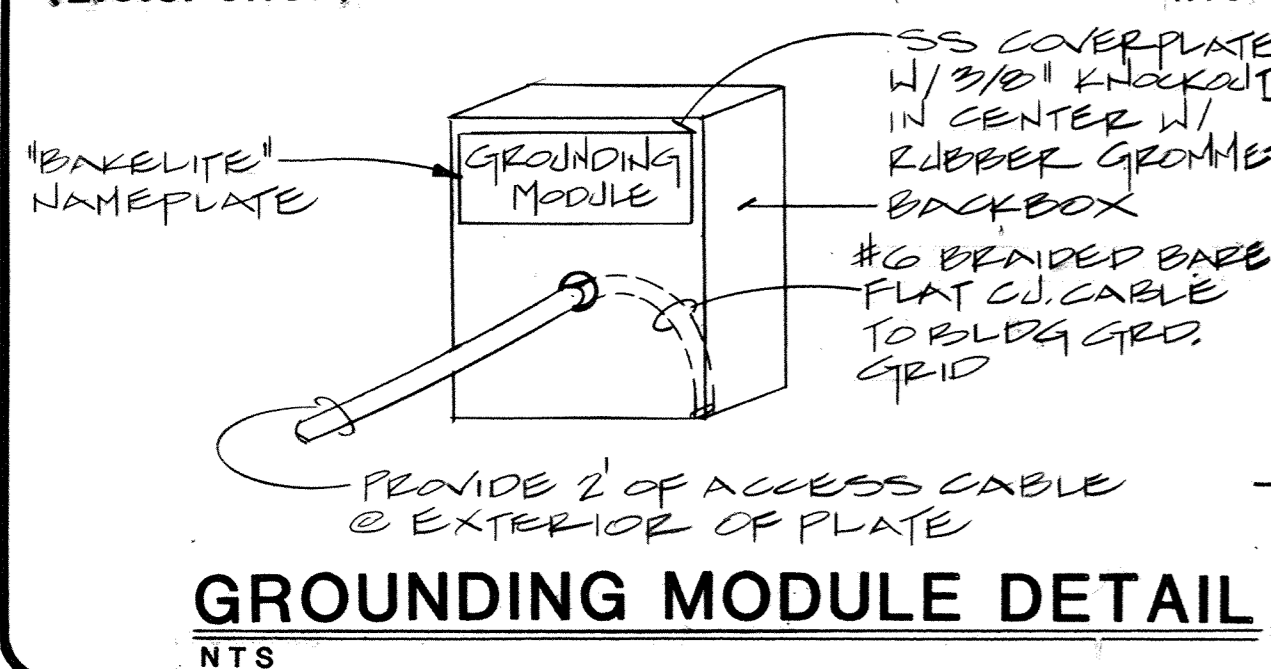
PART. FLOOR PLAN - MECH. 17
SCALE 1/8" = 1'-0" N



TYPICAL BUS DUCT SECTION A-A
NTS



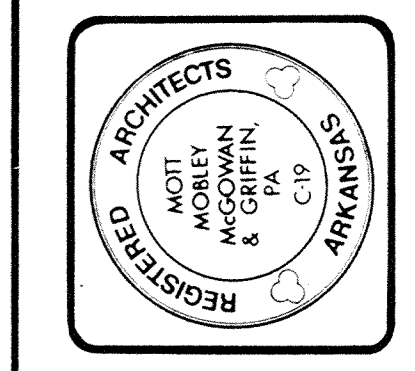
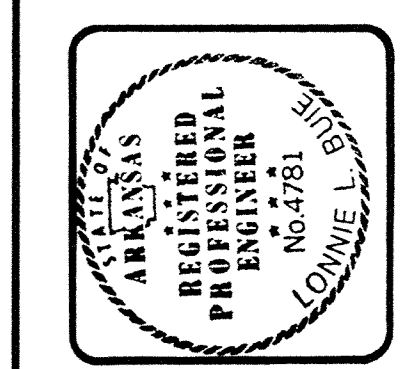
GROUPED WIRING DEVICES DETAIL
(E.S.S. SHOP) NTS



NOTE:
EXIST'G WIRING DEVICES ARE SHOWN IN EXIST'G AREAS WHERE NEW WALL CONSTRUCTION SHALL TAKE PLACE. EXIST'G WIRING DEVICES SHALL REMAIN UNLESS NOTED OTHERWISE

FLOOR PLAN - POWER
SCALE: 1/8" = 1'-0" N

MM MG
Mott Mobley McGowan & Griffin, P.A.: Architects
302 North Sixth Street
Fort Smith, Arkansas 72901



PROJECT NO. FSM-40997
ADD./ALTER AVIONICS/ECM POD SHOP/STORAGE
AIR NATIONAL GUARD TRAINING FACILITY
MUNICIPAL AIRPORT - FT. SMITH, ARKANSAS

FLOOR PLAN - POWER

As-built info: 4-12-90	E1.1
Revisions	
1357	
11-16-88	
Date	