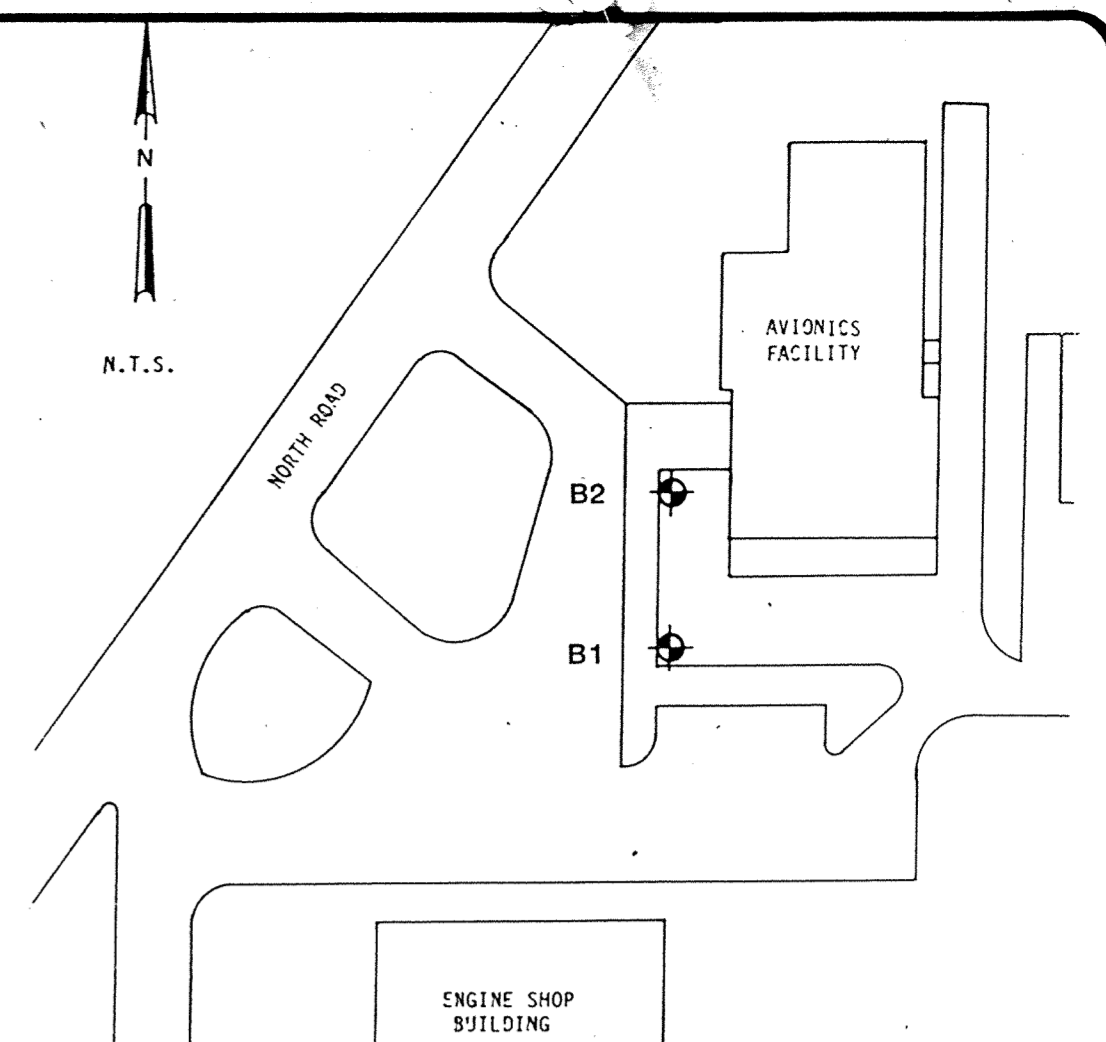
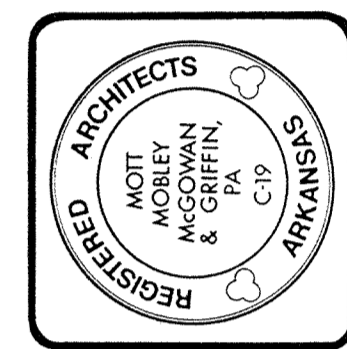
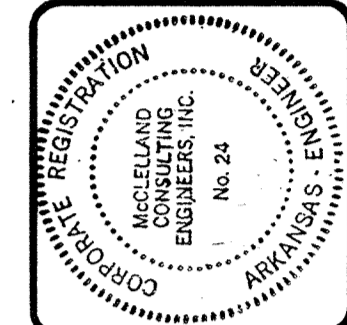


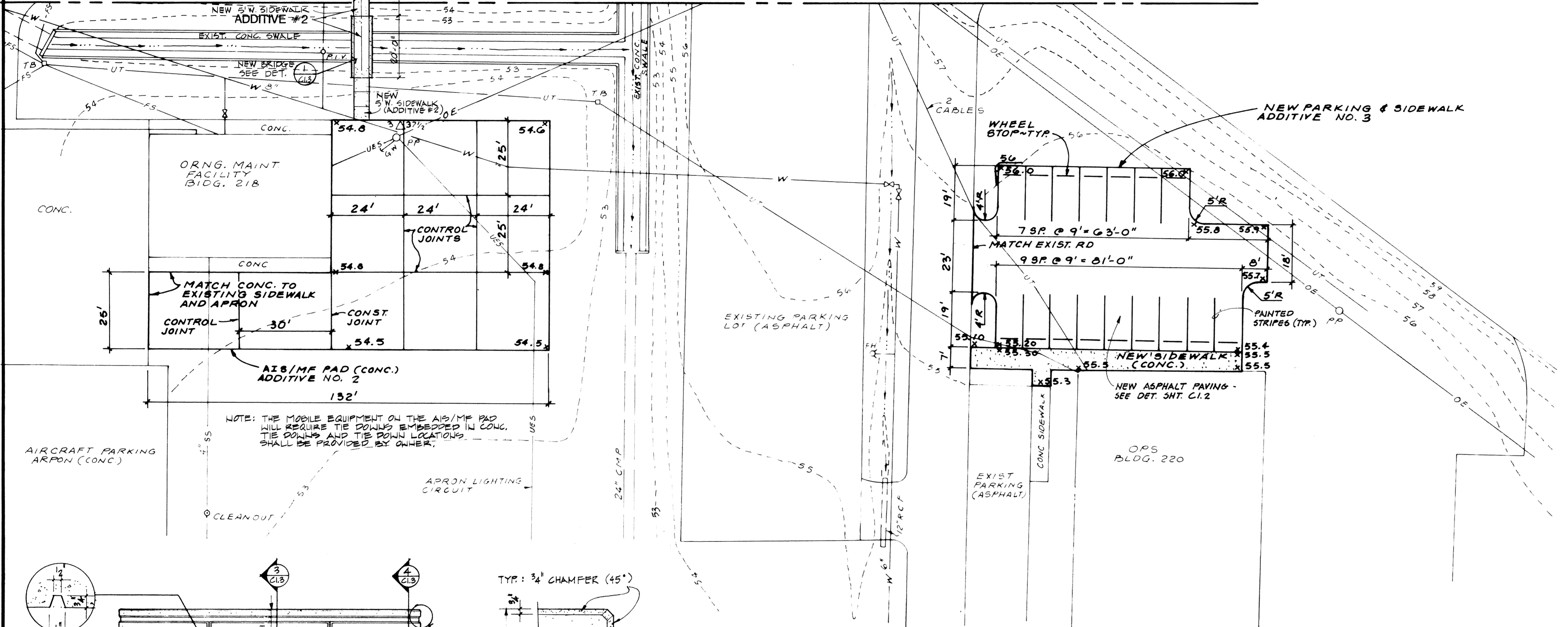
NOTES: 1. JOINT EDGES TO BE SANDBLASTED AND BLOWN CLEAN WITH FILTERED AIR.  
 2. JOINT EDGES SHALL BE PRIMED IF RECOMMENDED BY MANUFACTURER.  
 3. JOINT SEALER SHALL MEET THE REQUIREMENTS OF ASTM D 3405 OR D 3406



**MM MG**  
 Mott Mobley McGowan & Griffin, P.A.: Architects  
 302 North Sixth Street  
 Fort Smith, Arkansas 72901



**MATCH LINE SHEET C1.2**



McLLELAND  
 Consulting  
 Engineers, Inc.  
 MAY, 1997  
 FY973424

**LOG OF BORING NO. B1**  
 AVIONICS BUILDING ADDITION  
 ARKANSAS AIR NATIONAL GUARD  
 FORT SMITH, ARKANSAS

DEPTH, FT.	SYMBOL	DESCRIPTION OF MATERIAL	COHESION, TON/50 FT				ELEVATION, FT.
			PLASTIC LIMIT	WATER CONTENT, %	LIQUID LIMIT	PLASTICITY INDEX	
0		SURF. EL.					
1		Dark gray organic silt (Topsoil)					
2		Stiff light brown and gray silty clay					
3		Sandstone gravel below 5'					
4							
5							
6							
7							
8							
9							
10							
11							
12							
13							
14							
15							
16							
17							
18							
19							
20							
21							
22							

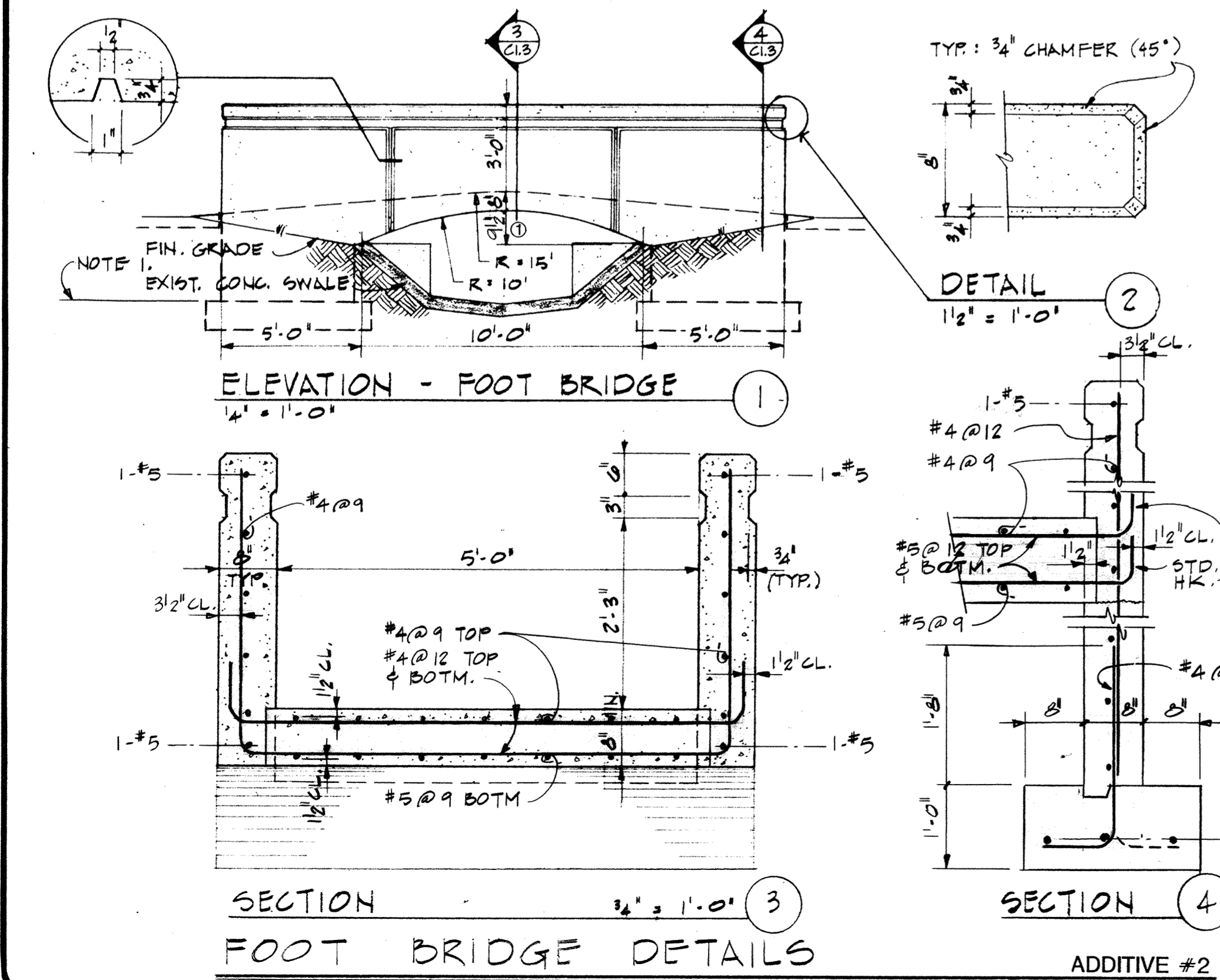
COMPLETION DEPTH: 15.0'  
 DATE: 4-22-97  
 DEPTH TO WATER IN BORING: Dry  
 DATE: 4-22-97

**LOG OF BORING NO. B2**  
 AVIONICS BUILDING ADDITION  
 ARKANSAS AIR NATIONAL GUARD  
 FORT SMITH, ARKANSAS

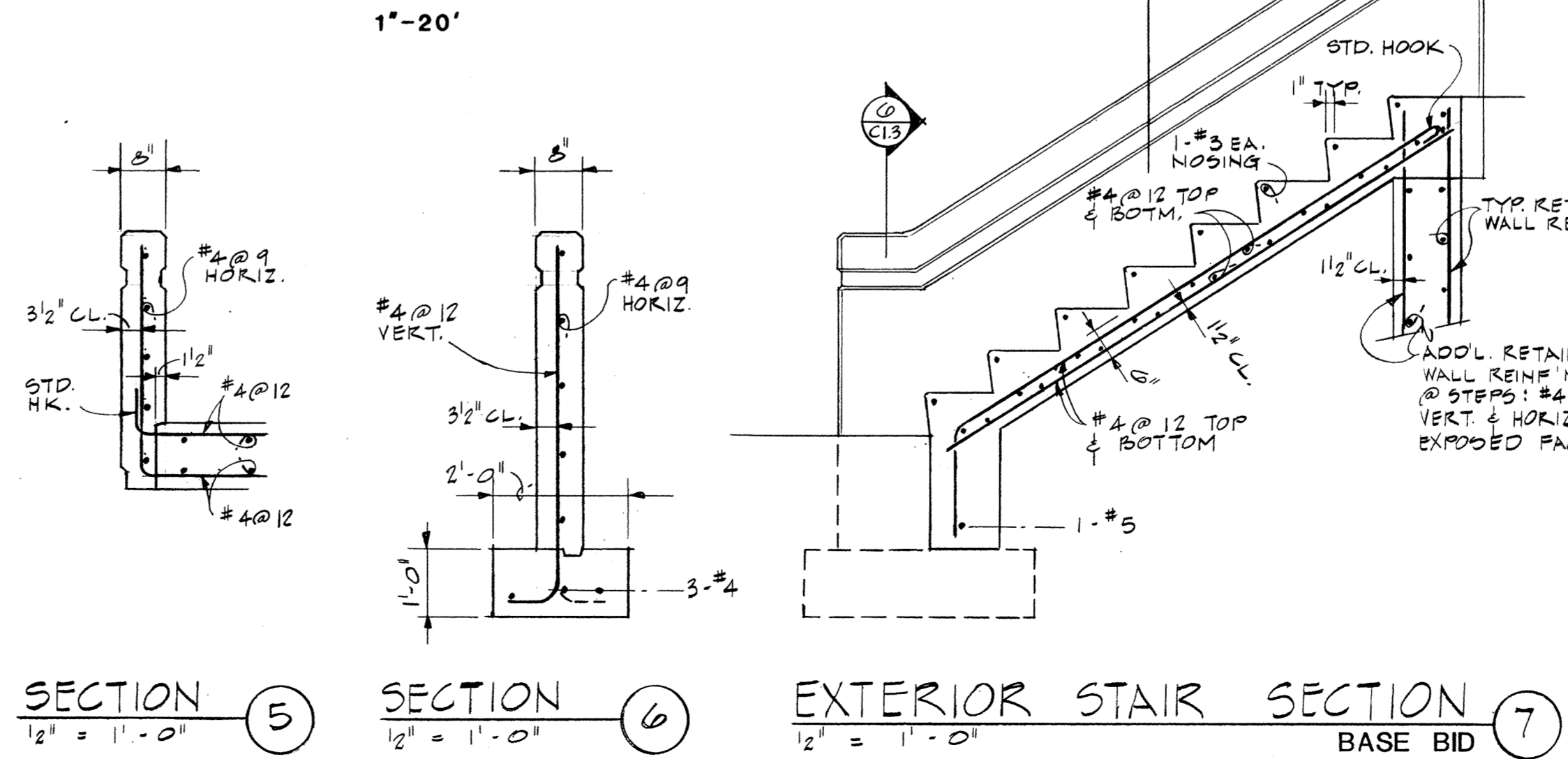
DEPTH, FT.	SYMBOL	DESCRIPTION OF MATERIAL	COHESION, TON/50 FT				ELEVATION, FT.
			PLASTIC LIMIT	WATER CONTENT, %	LIQUID LIMIT	PLASTICITY INDEX	
0		SURF. EL.					
1		Dark Gray Organic Silt (Topsoil)					
2		Stiff Tan and Gray Silty Clay					
3		Sandstone Gravel Below 3.8'					
4							
5							
6							
7							
8							
9							
10							
11							
12							
13							
14							
15							
16							
17							
18							
19							
20							

COMPLETION DEPTH: 23.0'  
 DATE: 4-22-97  
 DEPTH TO WATER IN BORING: Dry  
 DATE: 4-22-97

**AIS/MF PAD AND PARKING LOT SITE PLAN**



NOTE 1. TOP OF FTG. APPROX. 6" BELOW FLOW LINE OF SWALE.



CONTRACT NO. DAHAG03-87-C-7-0007

PROJECT NO. FSM-40997  
**ADD./ALTER AVIONICS/ECM POD SHOP/STORAGE**  
 AIR NATIONAL GUARD TRAINING FACILITY  
 MUNICIPAL AIRPORT - FT. SMITH, ARKANSAS

SITE PLAN & DETAILS

As-built info:  
 4-12-90  
 Revisions  
**1357**  
 Plan Number  
**C1.3**  
 11-16-88  
 Date