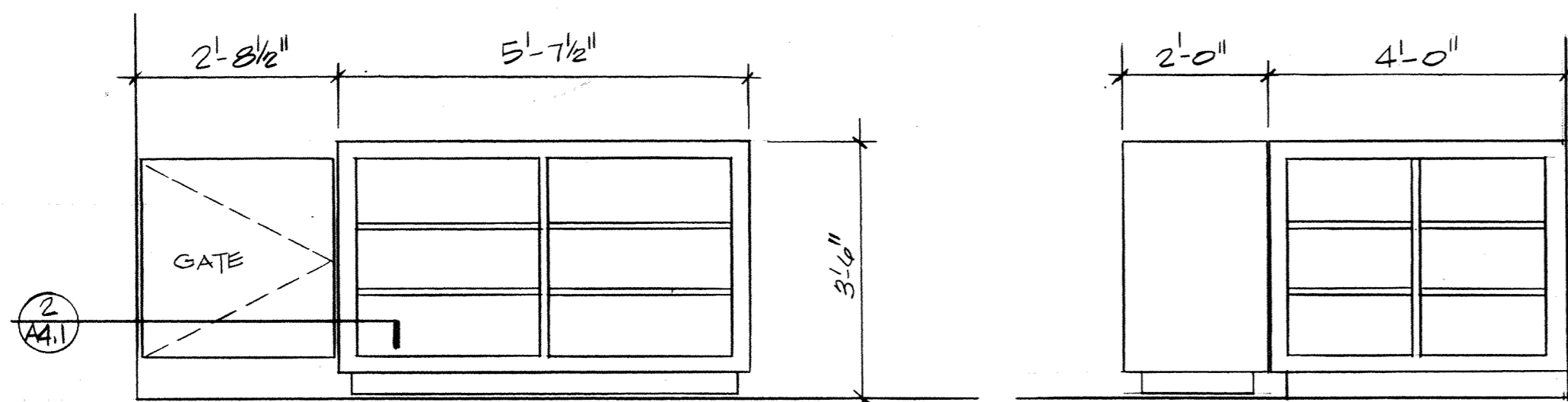


PLAN VIEW - IS ESS SCHED.
1/2" = 1'-0"

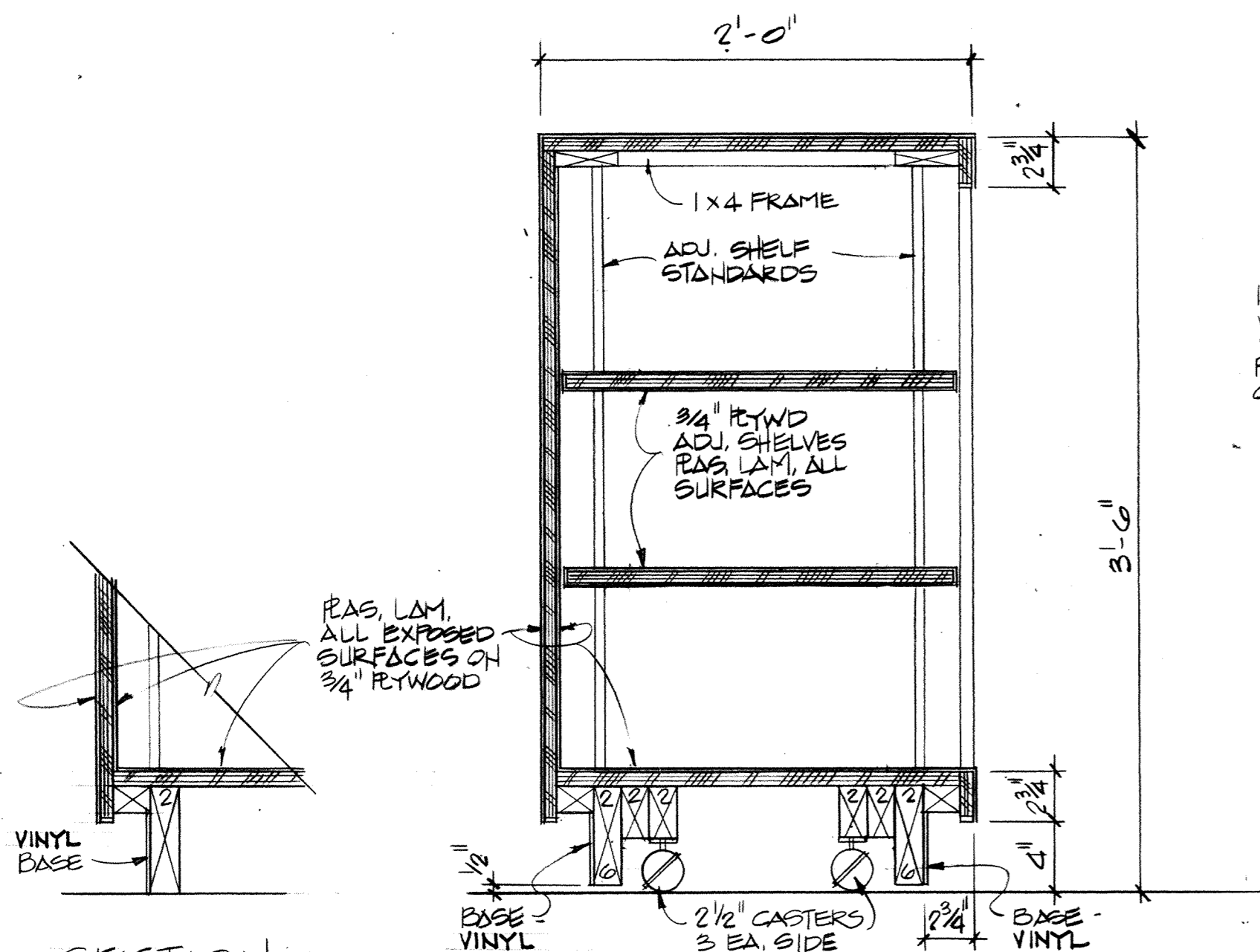


A ELEVATION
1/2" = 1'-0"

B ELEVATION
1/2" = 1'-0"

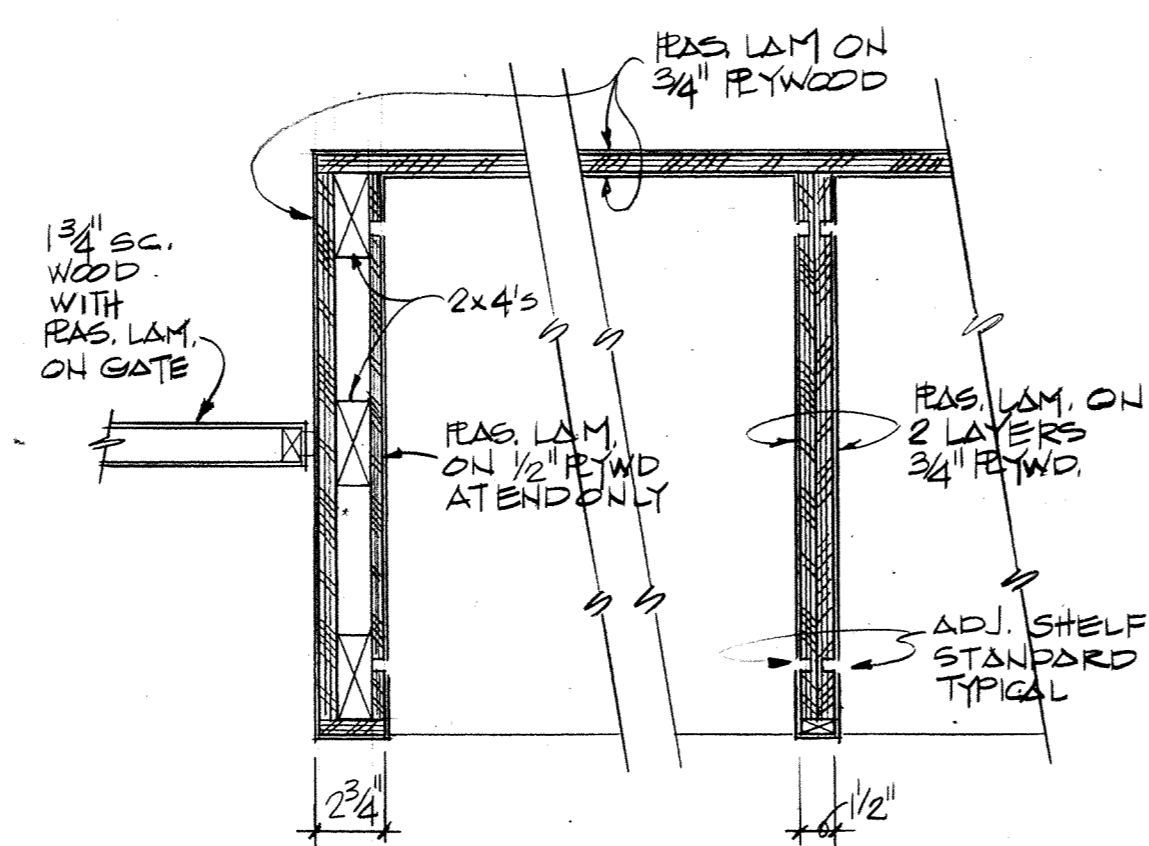
C ELEVATION
1/2" = 1'-0"

D ELEVATION
1/2" = 1'-0"

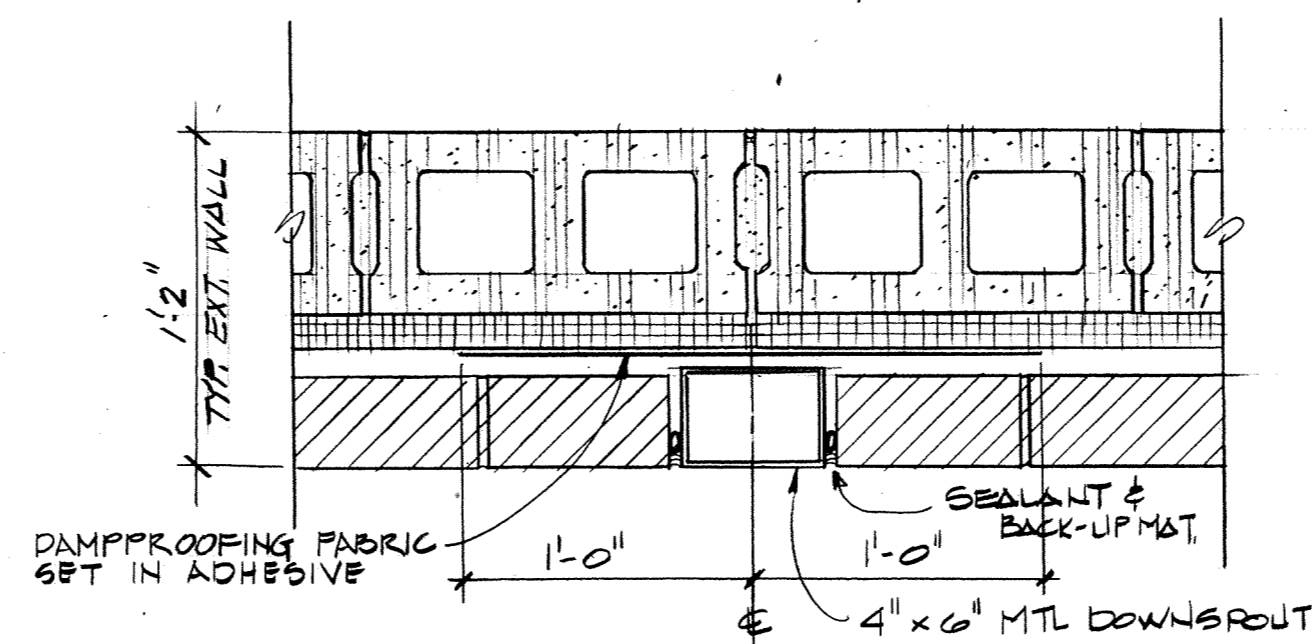


SECTION @ FIXED BASE
1/2" = 1'-0"

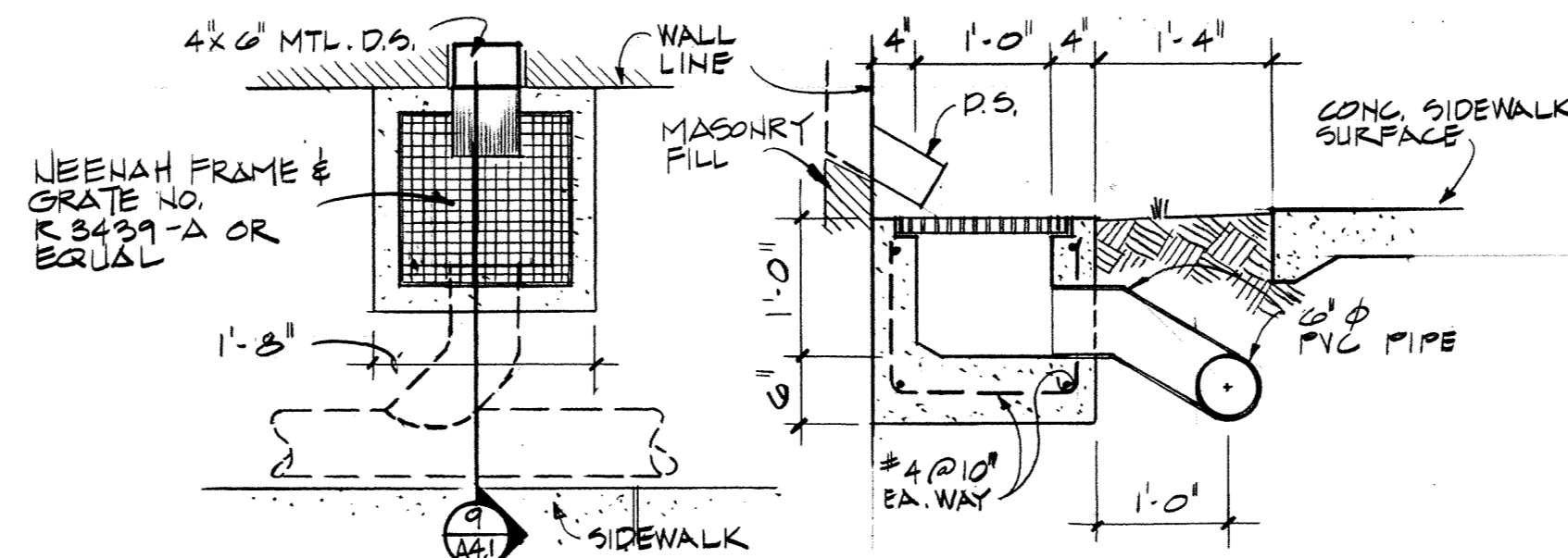
1 SECTION
1/2" = 1'-0"



2 PLAN SECTION
1/2" = 1'-0"

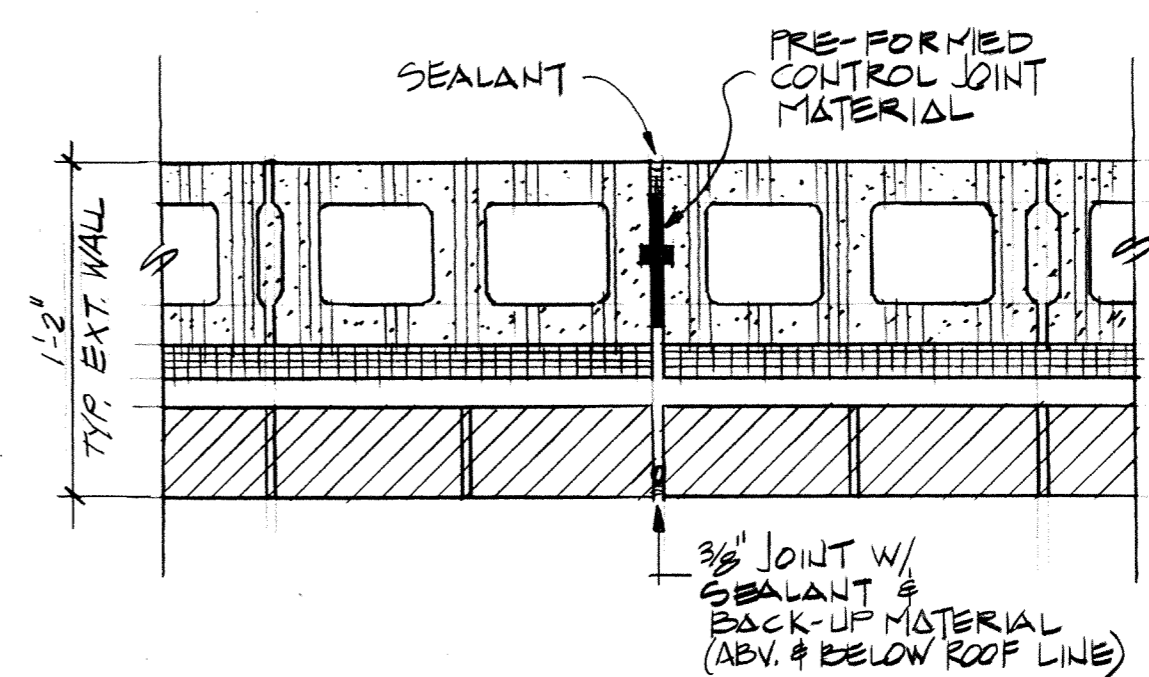


3 DETAIL - TYP. DOWNSPOUT
1/2" = 1'-0"

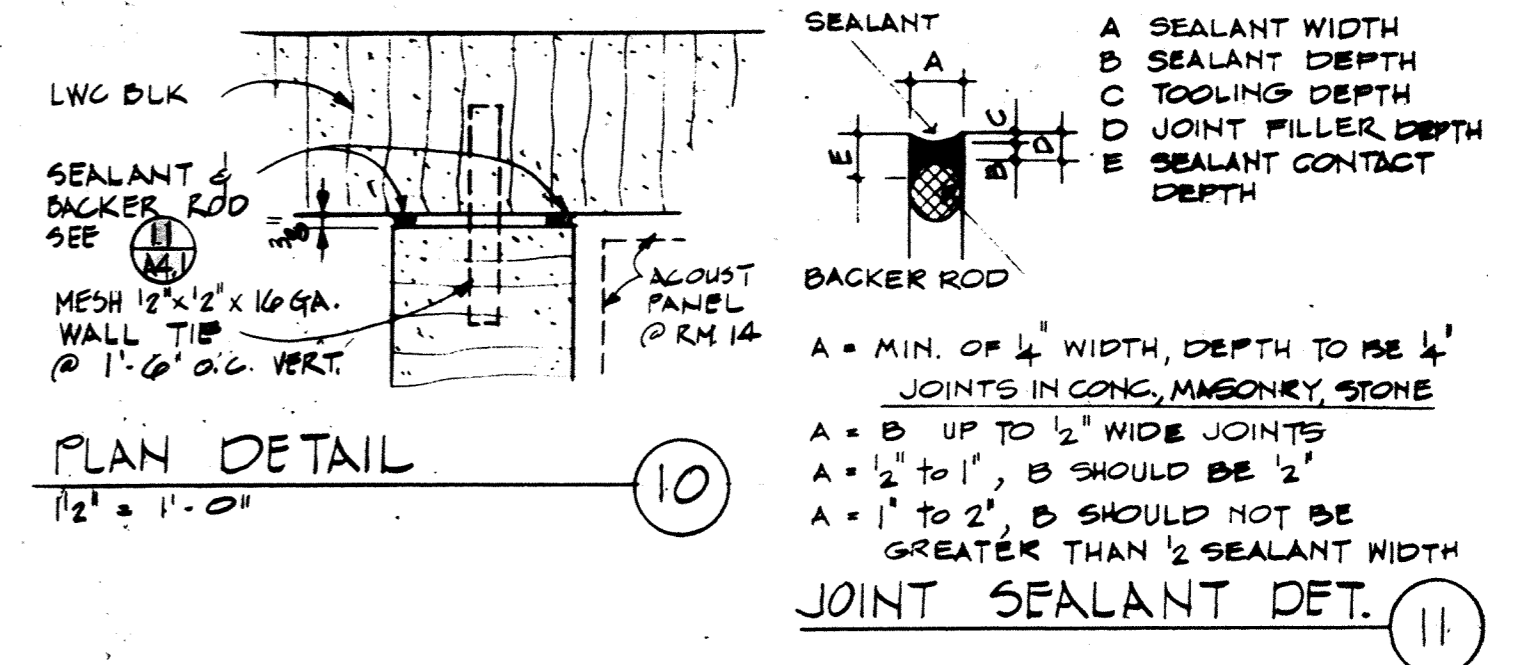


4 DETAIL - TYP. CONTROL JOINT
1/2" = 1'-0"

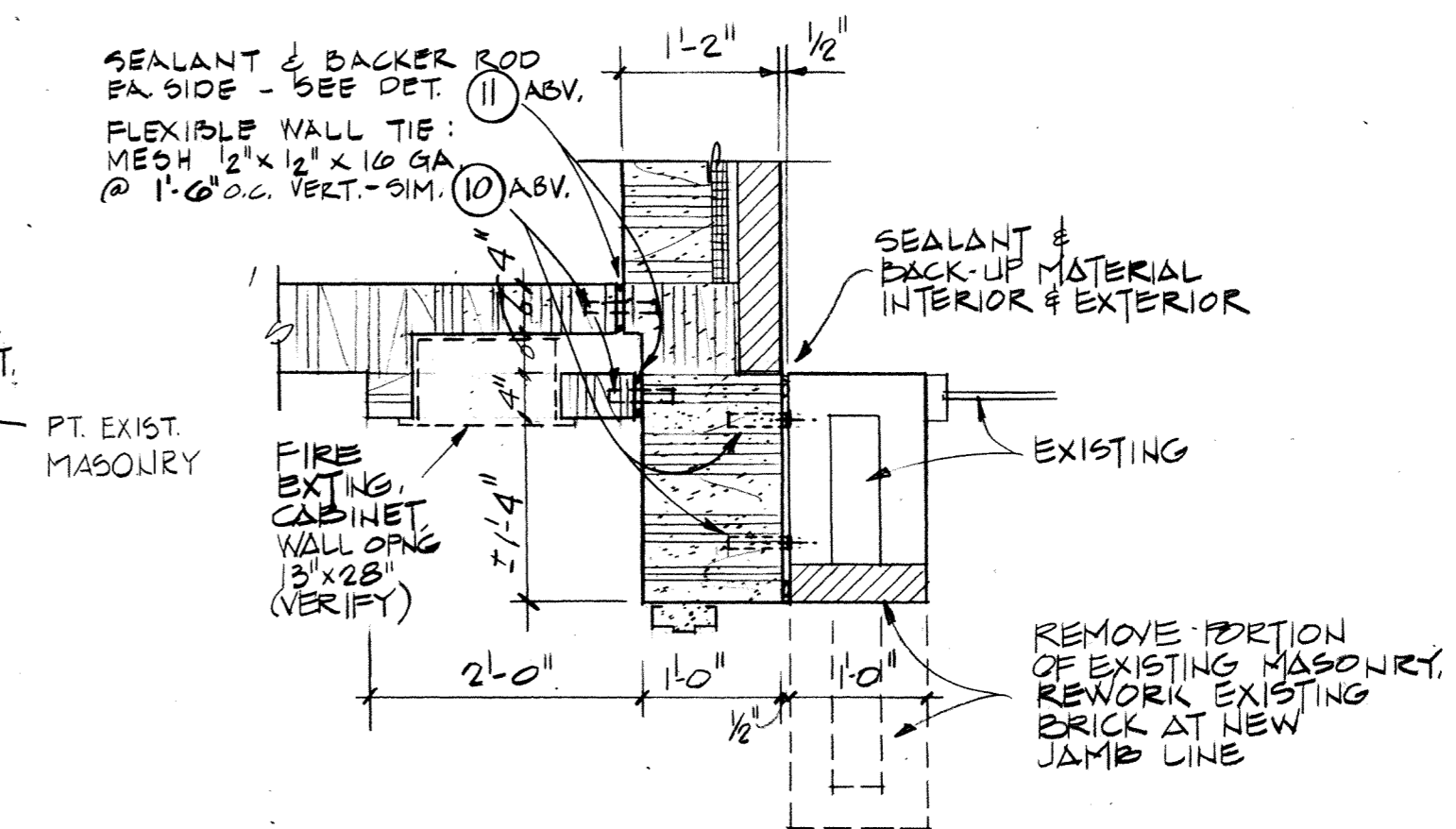
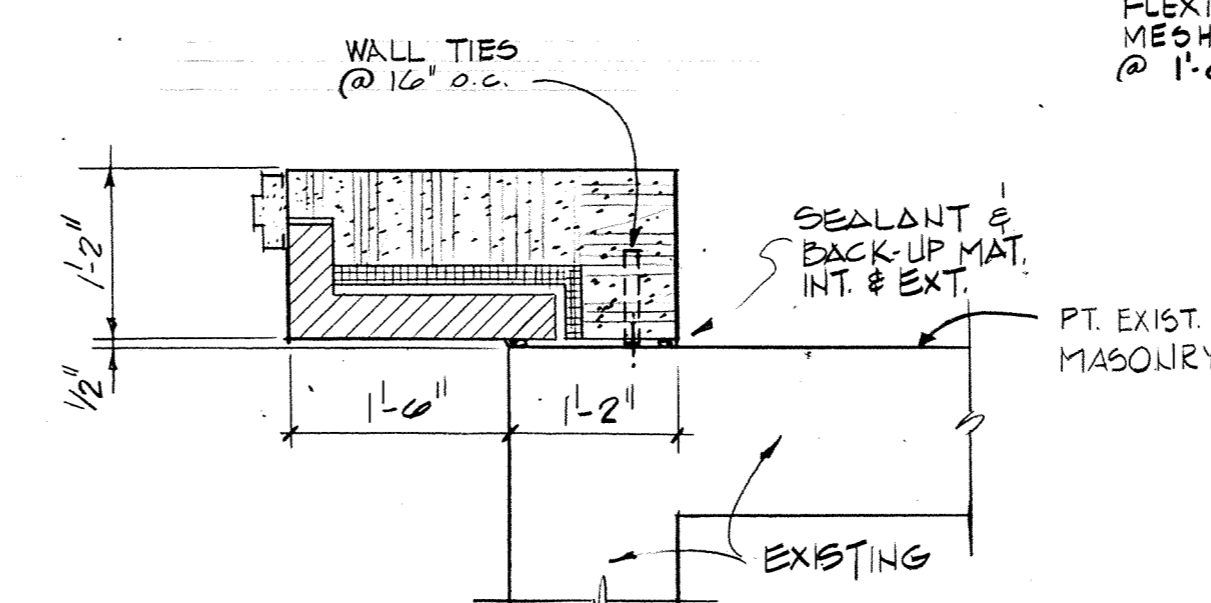
5 PLAN - STORM INLET DET. - SECTION
3/4" = 1'-0"



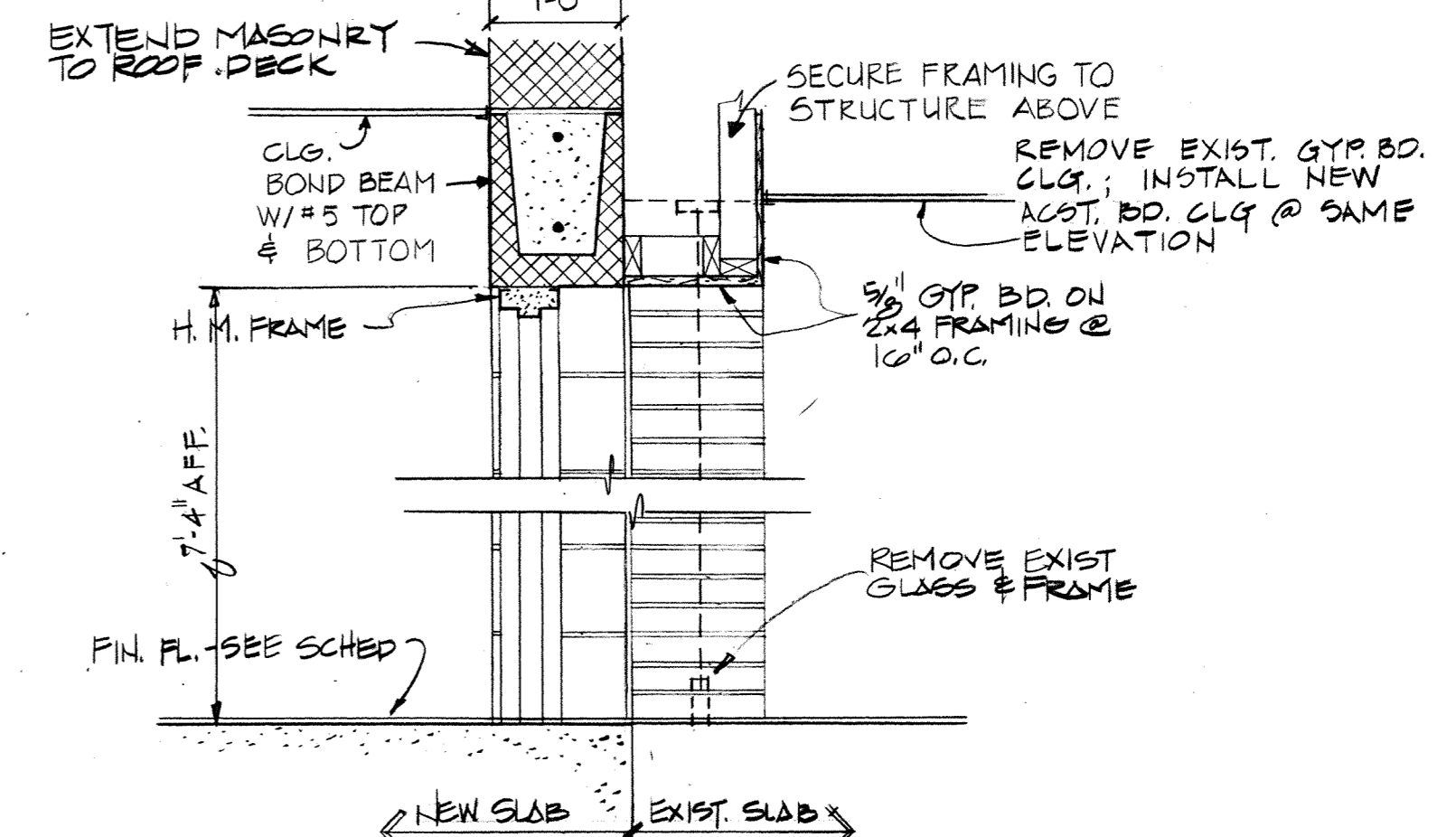
6 DETAIL - TYP. CONTROL JOINT
1/2" = 1'-0"



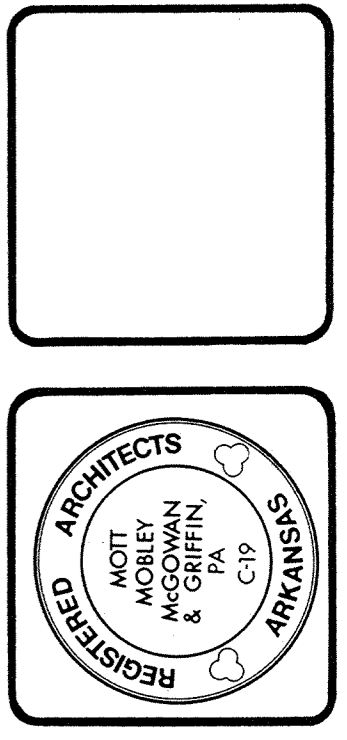
5 DETAIL
3/4" = 1'-0"



6 DETAIL
3/4" = 1'-0"



7 SECTION
3/4" = 1'-0"



CONTRACT NO. DHA03-87-C-0007
PROJECT NO. FSM-40997
ADD./ALTER AVONICS/ECM POD SHOP/STORAGE
AIR NATIONAL GUARD TRAINING FACILITY
MUNICIPAL AIRPORT - FT. SMITH, ARKANSAS

MILLWORK & MISC. DETAILS

Revisions	1357	A4.1
Plan Number	11-16-88	or 28
Date		