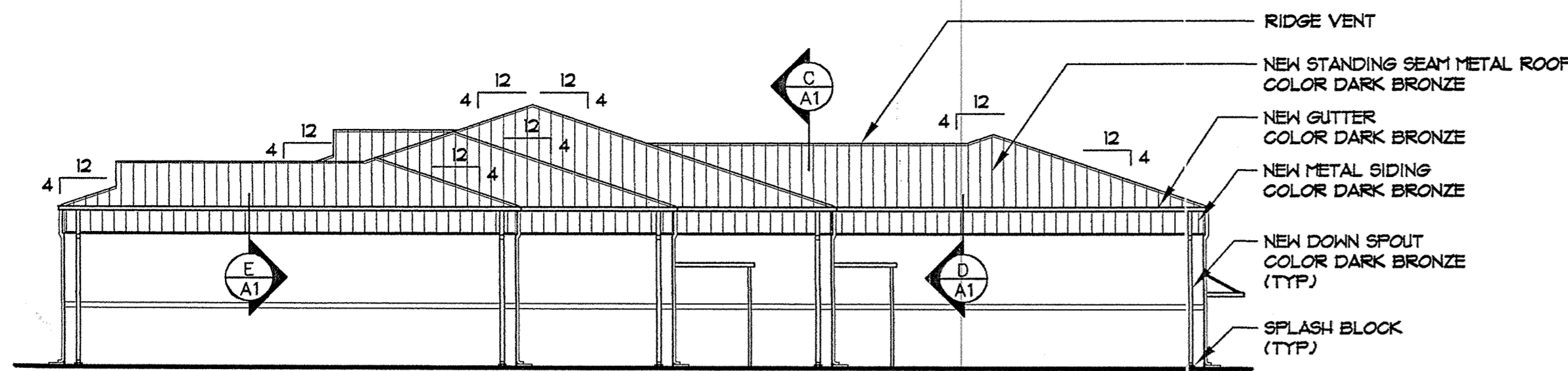
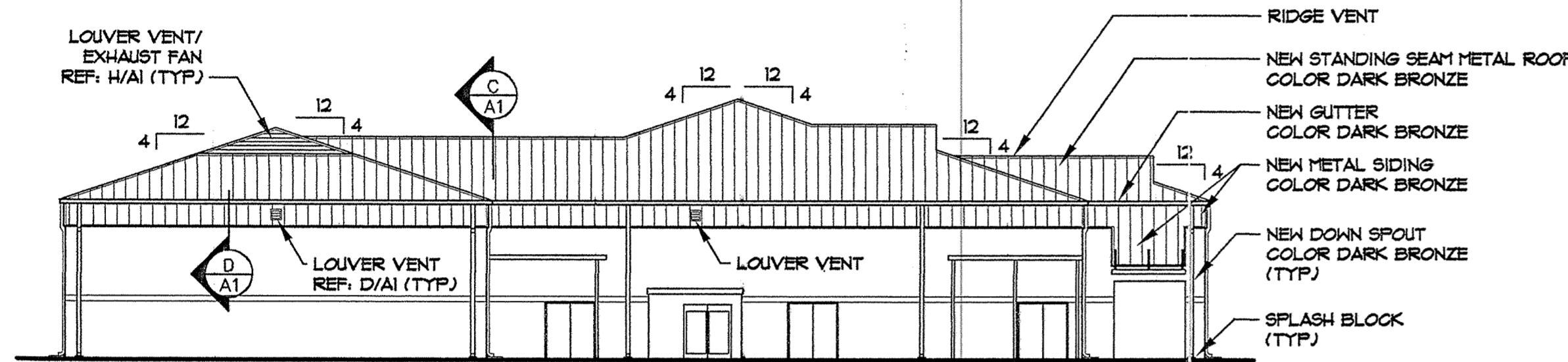


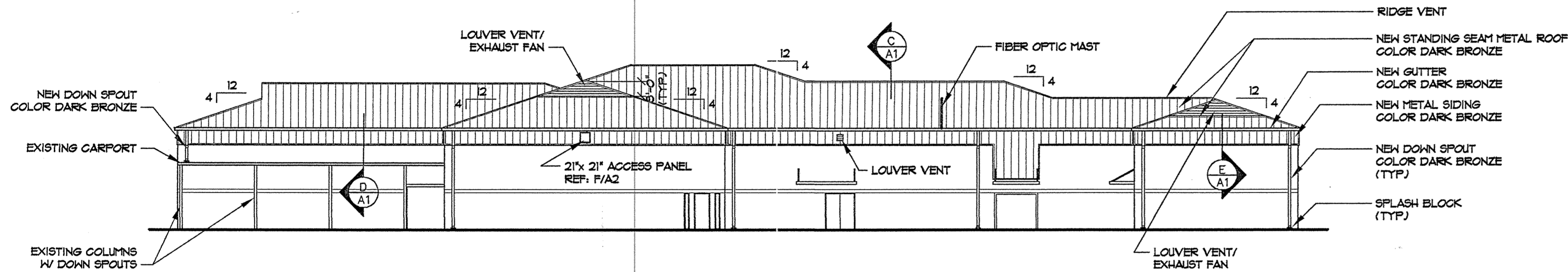
Drawing: F:\ANG PROJECTS\ROOF PROJECTS\216\216A02 Saved: 03/01/2001 13:52 By: art DimScale: 0.00 (TM=0)



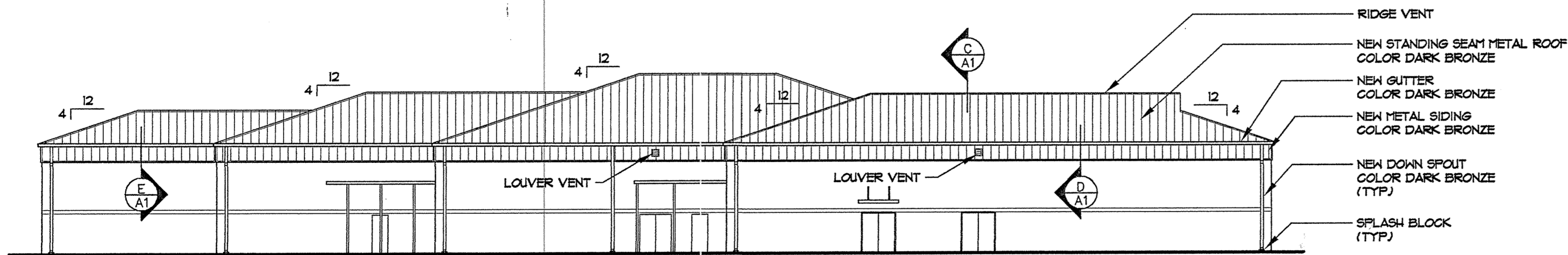
**A NORTH ELEVATION**  
1/16" = 1'



**B SOUTH ELEVATION**  
1/16" = 1'



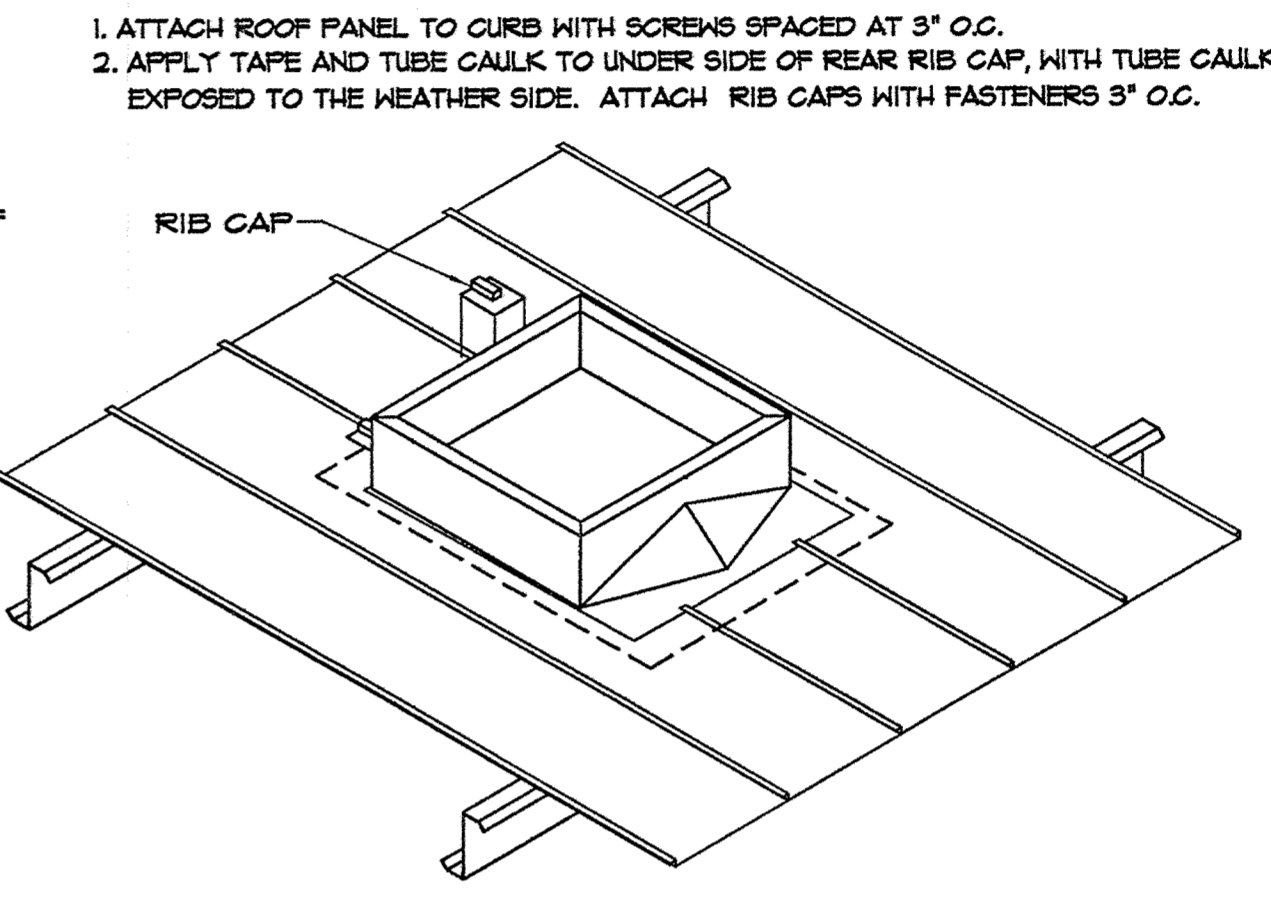
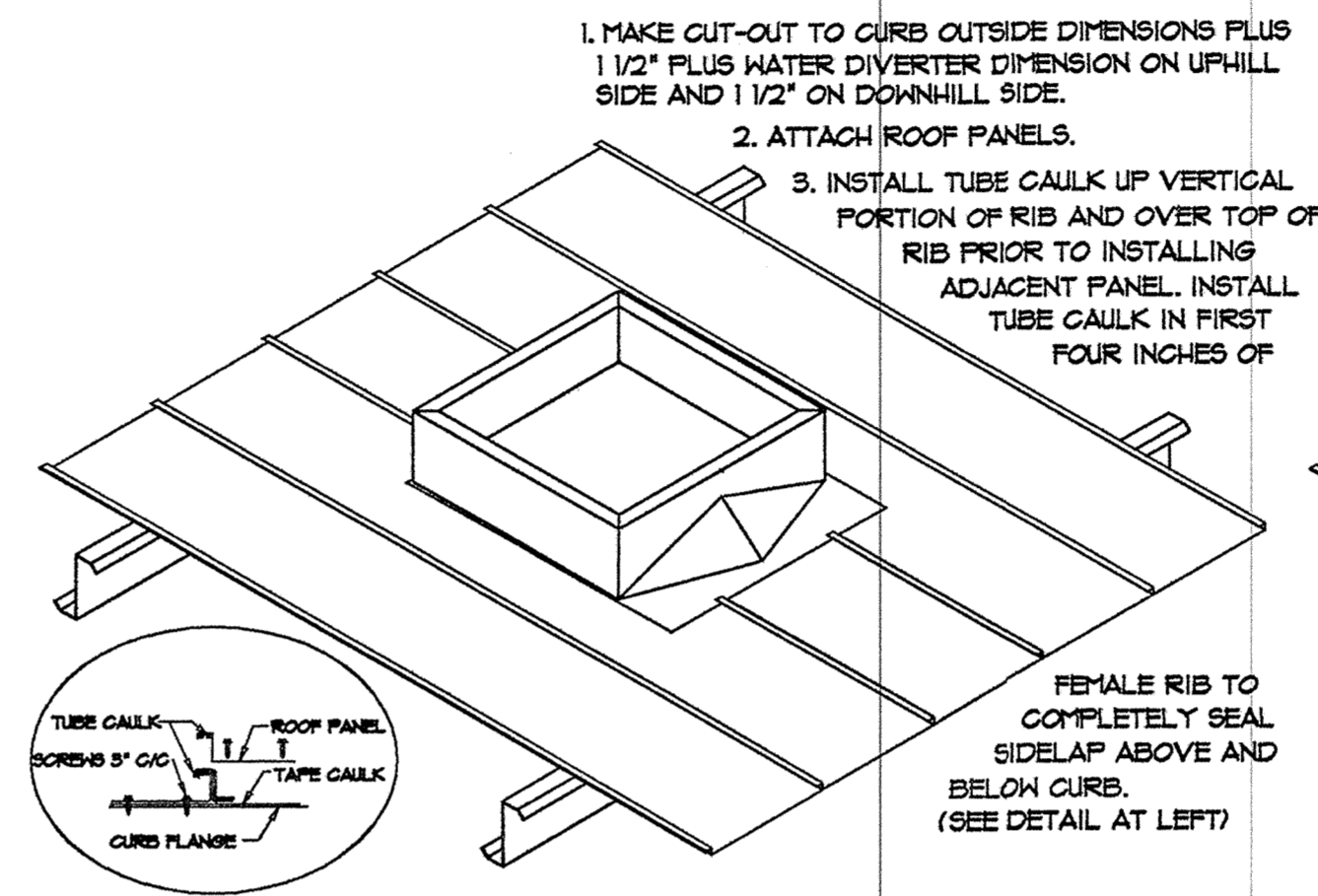
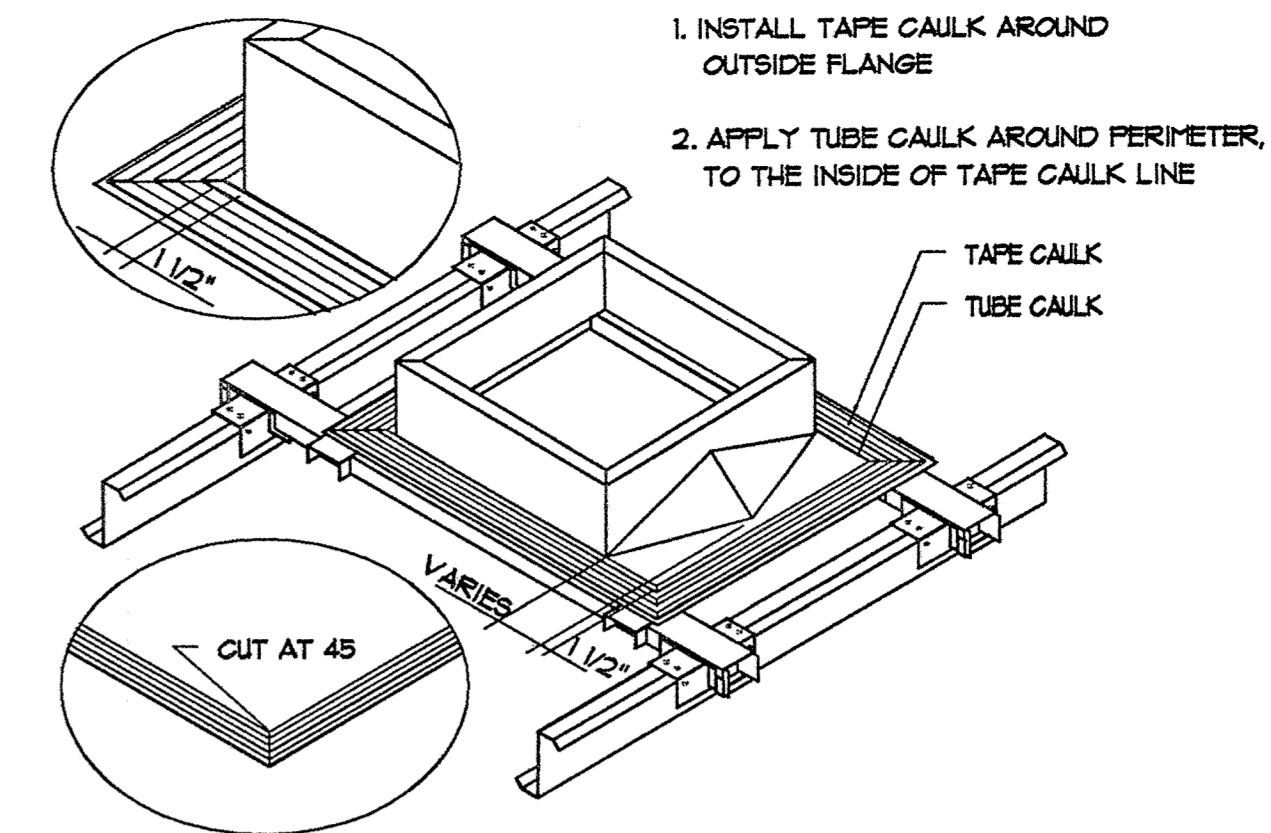
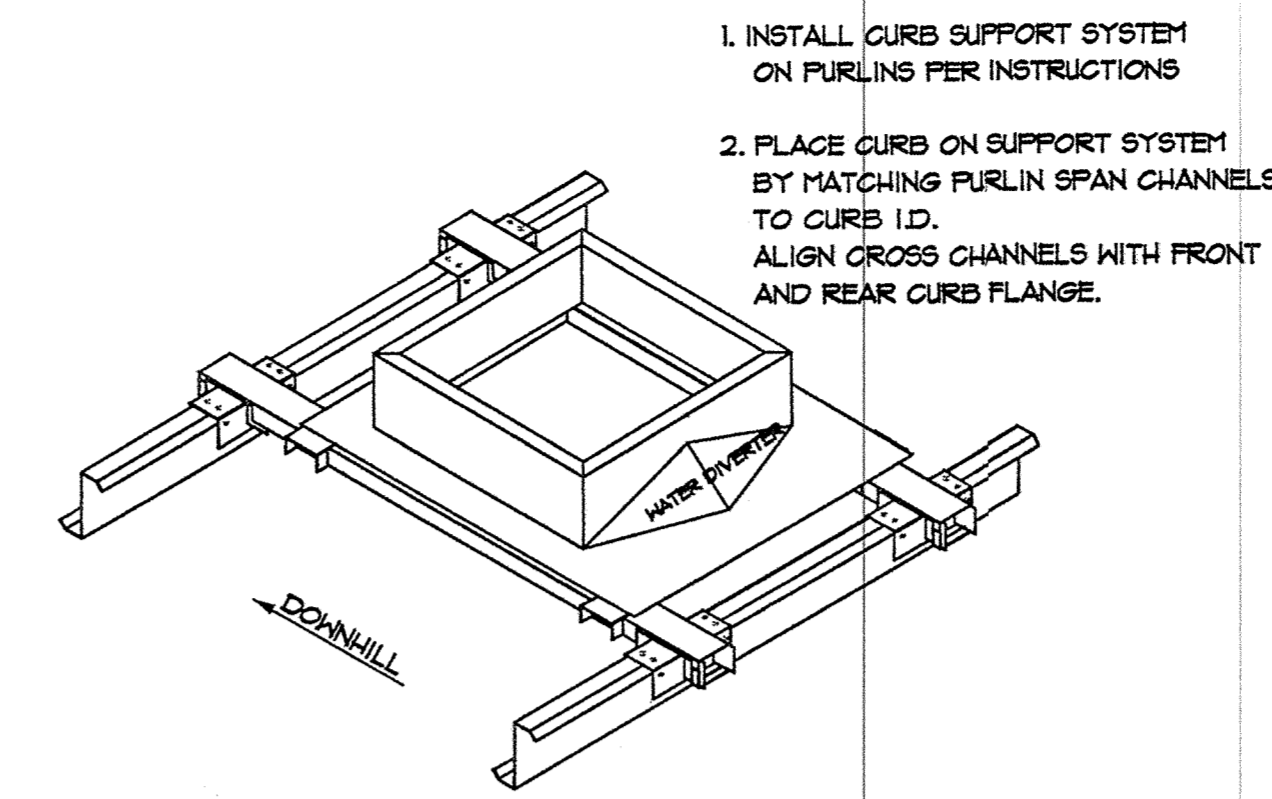
**C EAST ELEVATION**  
1/16" = 1'



**D WEST ELEVATION**  
1/16" = 1'

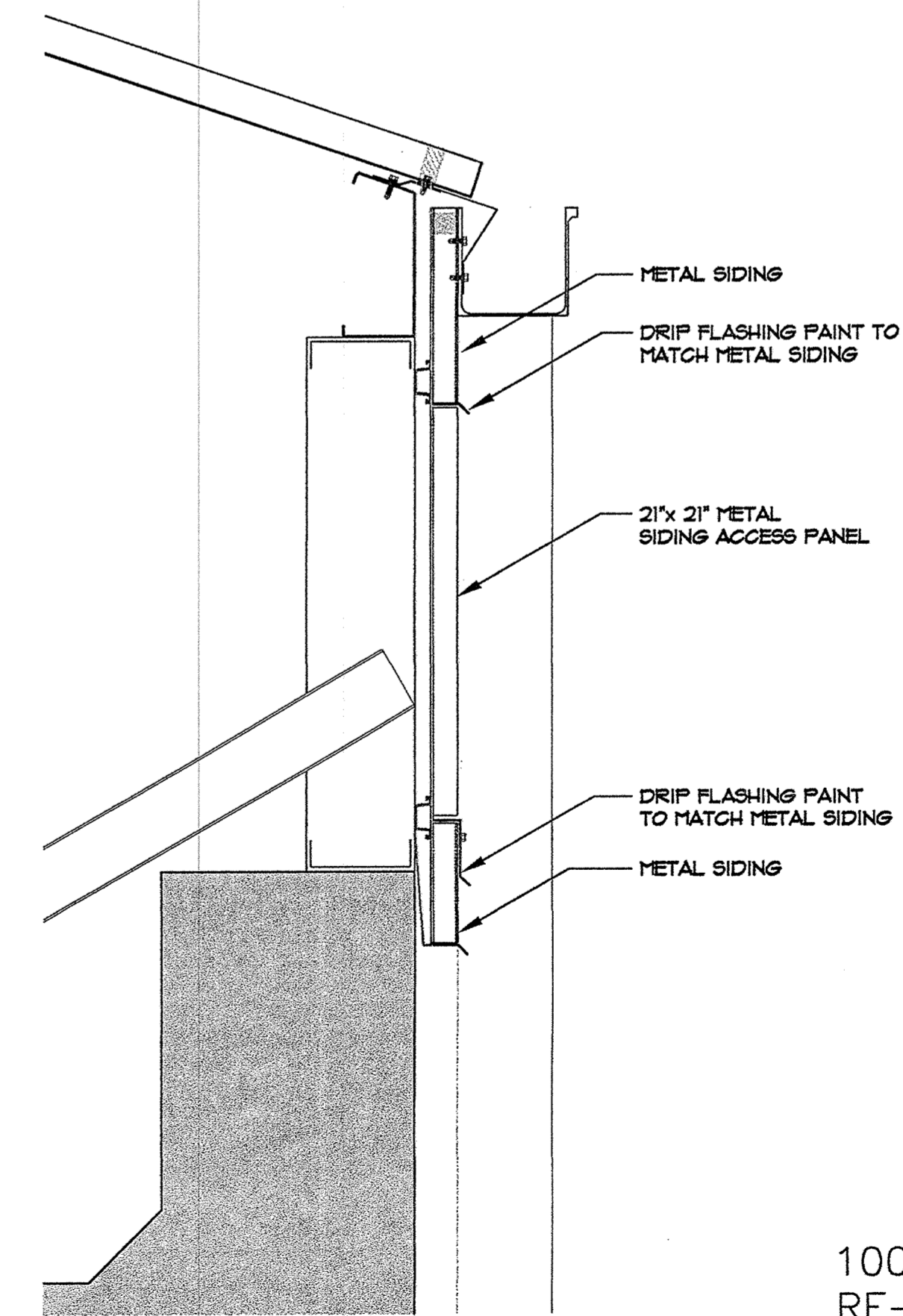
NOTE: ROOF PENETRATION NOT SHOWN ON ELEVATIONS FOR CLARITY.

12570



CURB INSTALLATION INSTRUCTIONS  
VERTICAL RIB STANDING SEAM PANEL (UNDER THE ROOF)

**E CURB DETAIL**  
1/2" = 1'



**F ACCESS PANEL DETAIL**  
1 1/2" = 1'

100%  
RE-SUBMITTAL  
07-11-01

AVIONICS BUILDING 216  
AIR NATIONAL GUARD  
FT. SMITH, ARKANSAS - HKRZ982035

**The Benham Group**  
210 Town Center SE  
Bella Vista, Arkansas 72714  
(501) 855-2030



Architects-Engineers  
Planners-Consultants

DATE: 06/13/00  
SCALE: AS NOTED  
DESIGNED: JSR  
DRAWING: JRT  
APPROVED: TBC

NO.	DATE	REVISIONS

**A2** OF

TYPE 'A & B' SERVICES