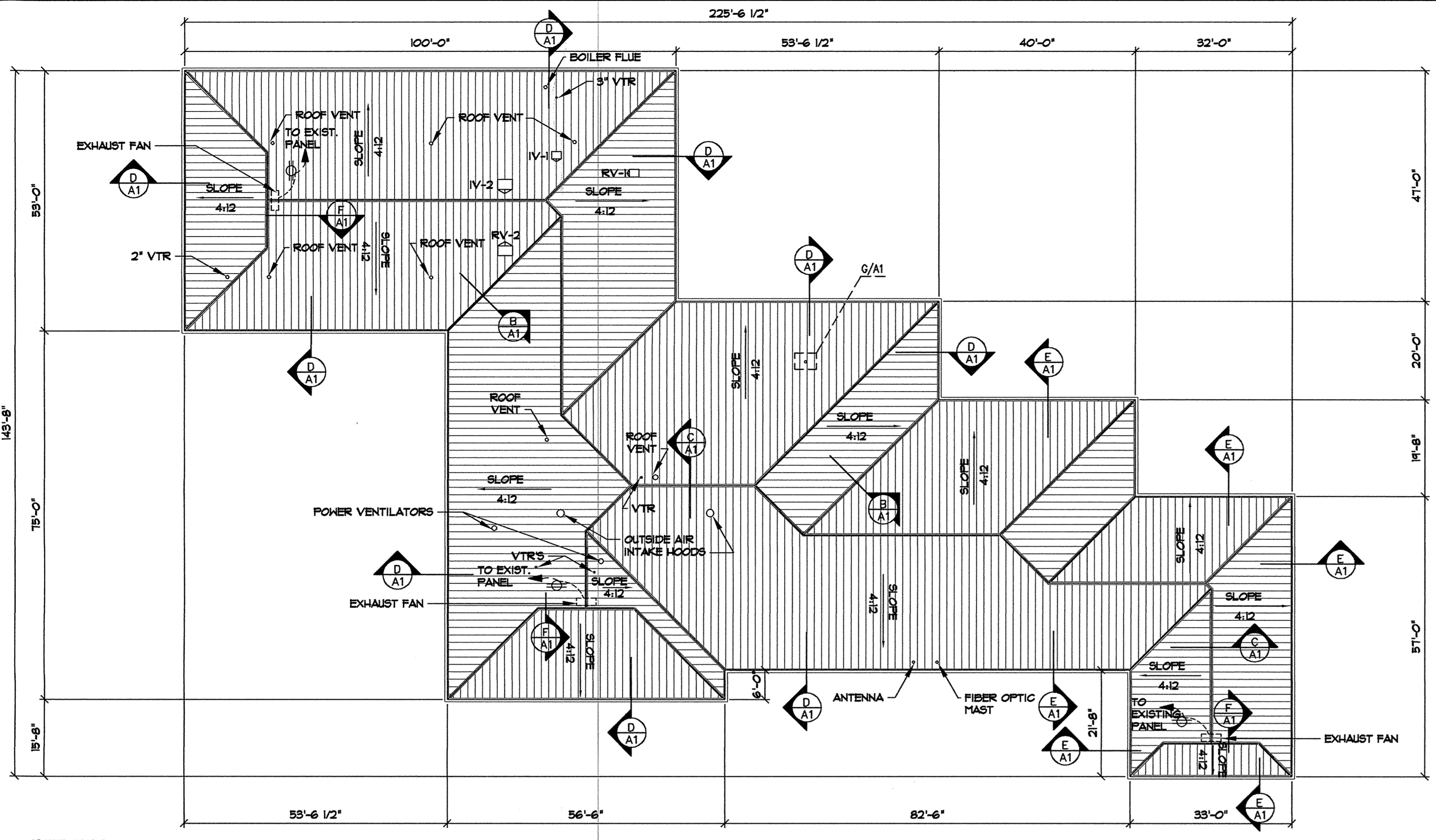
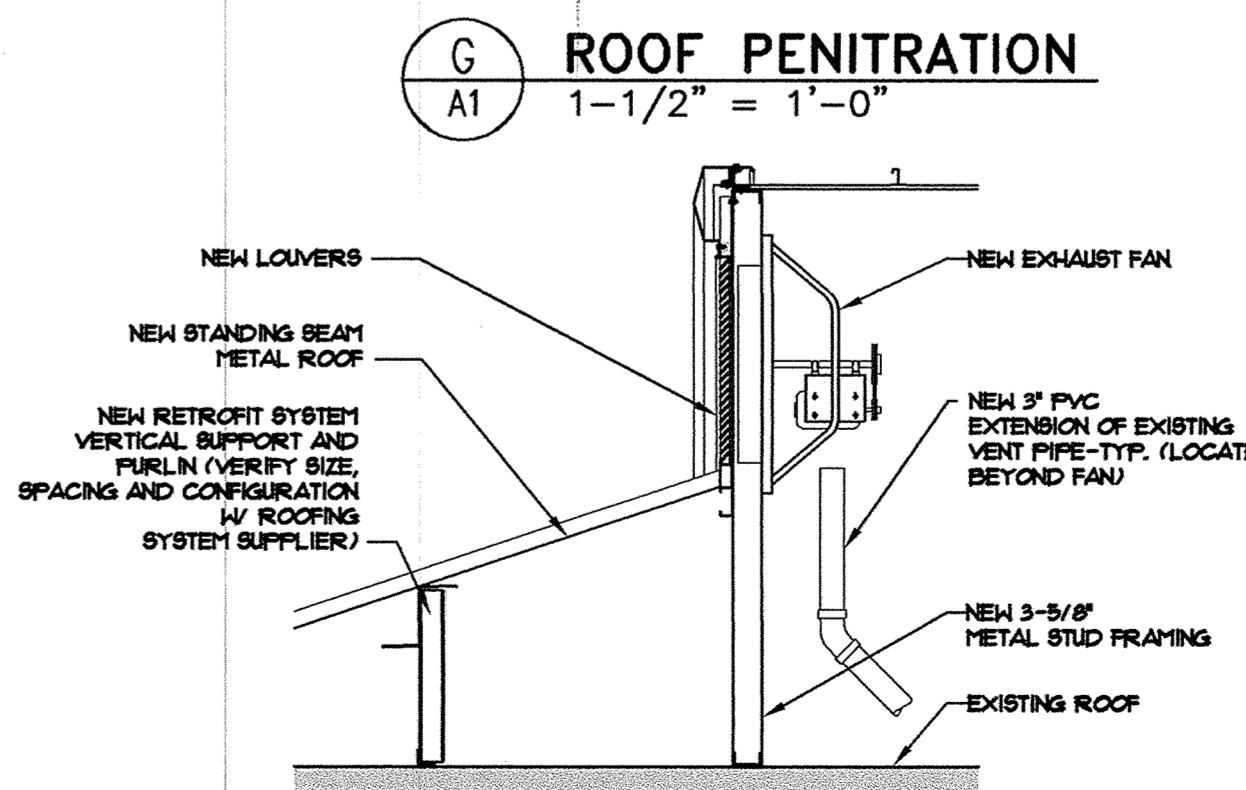
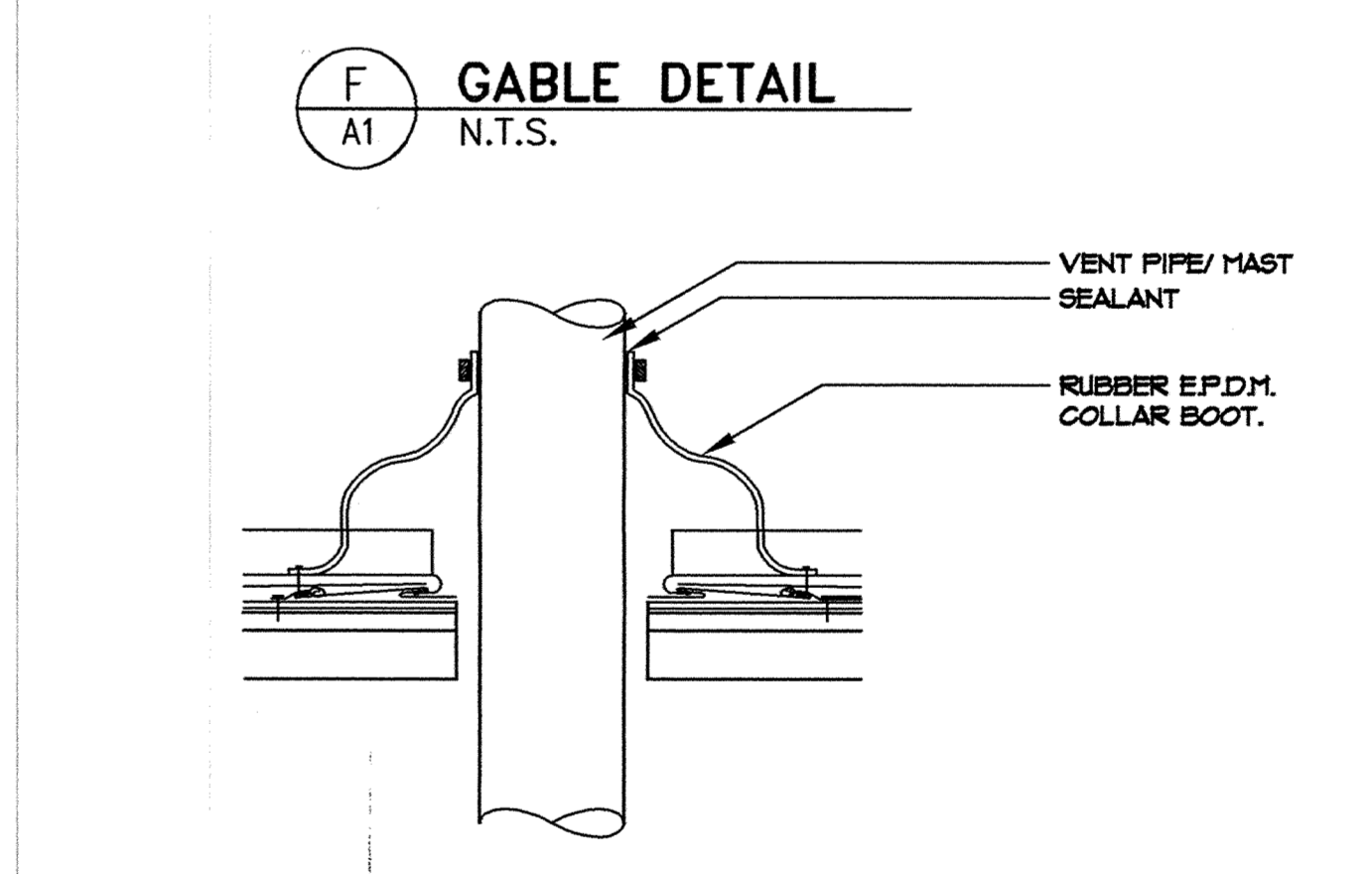
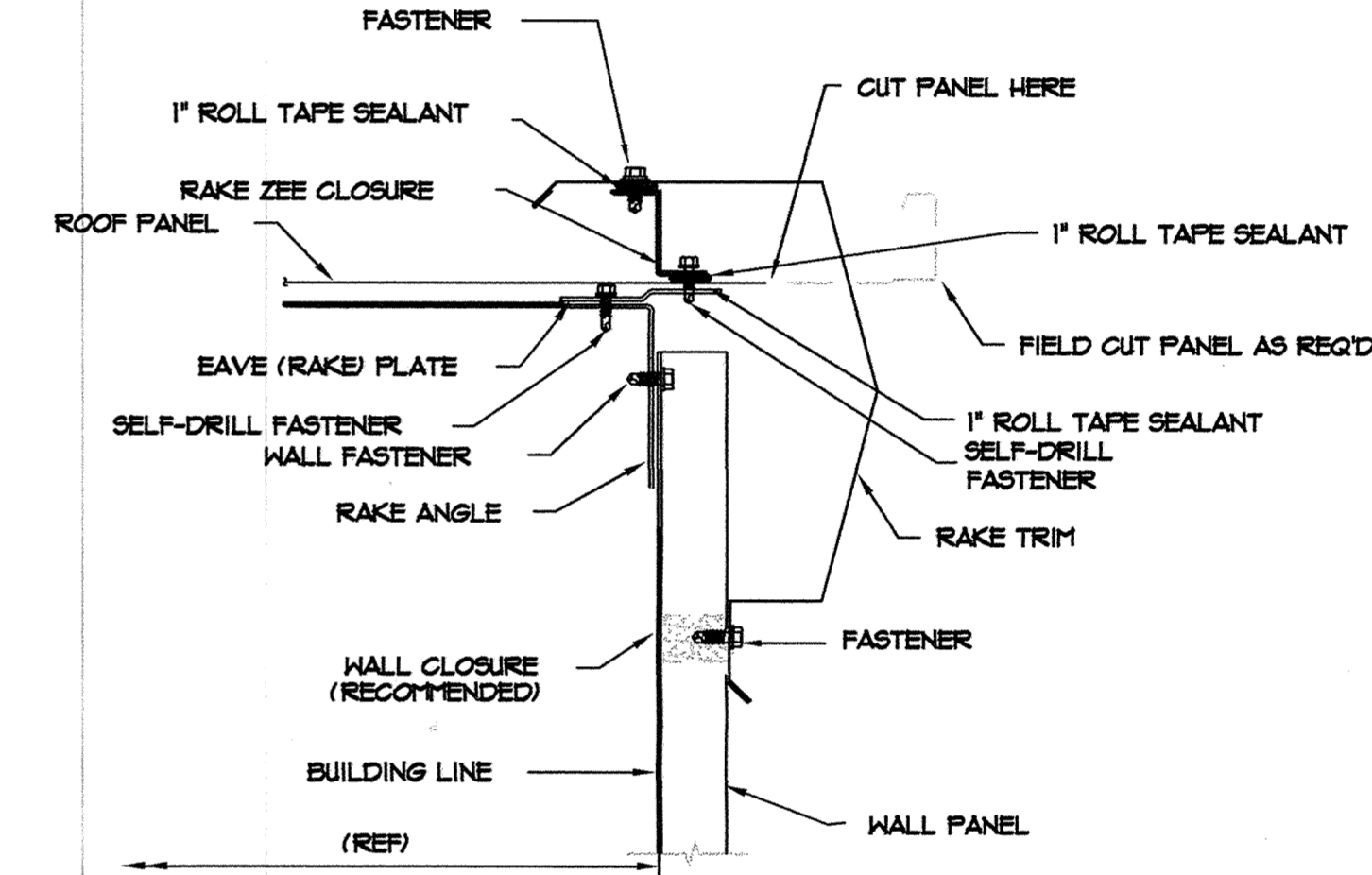
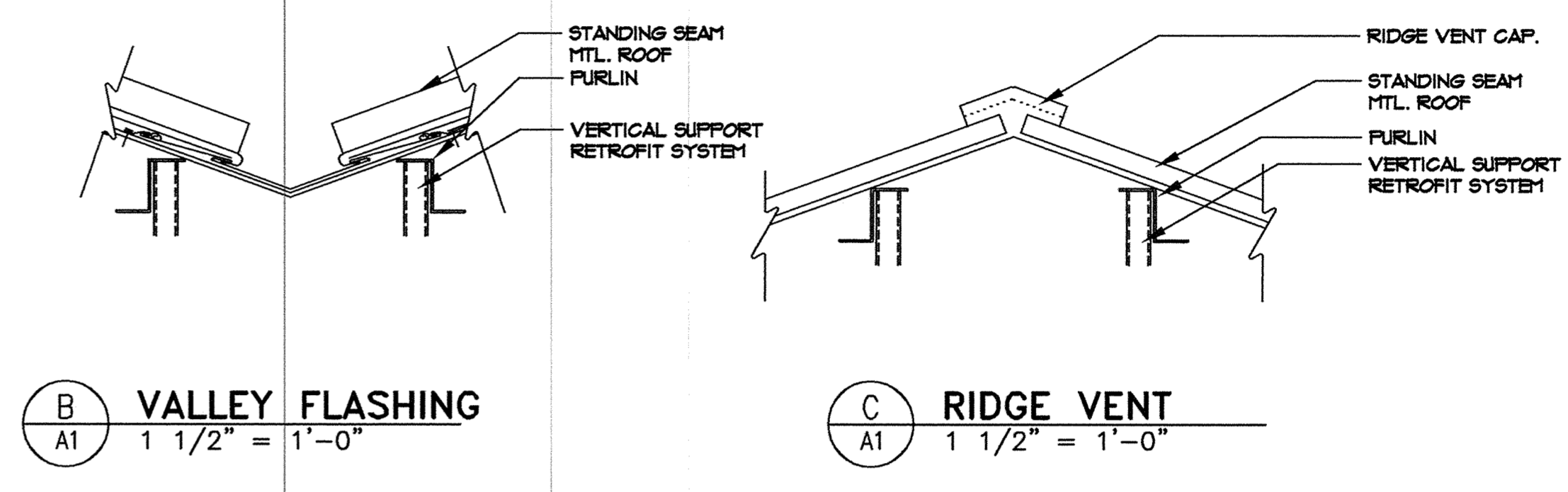


Drawing: F:\ANG PROJECTS\ROOF PROJECTS\216\216A01 Saved: 03/01/2001 13:50 By: art DimScale: 0.00 (TM=0)

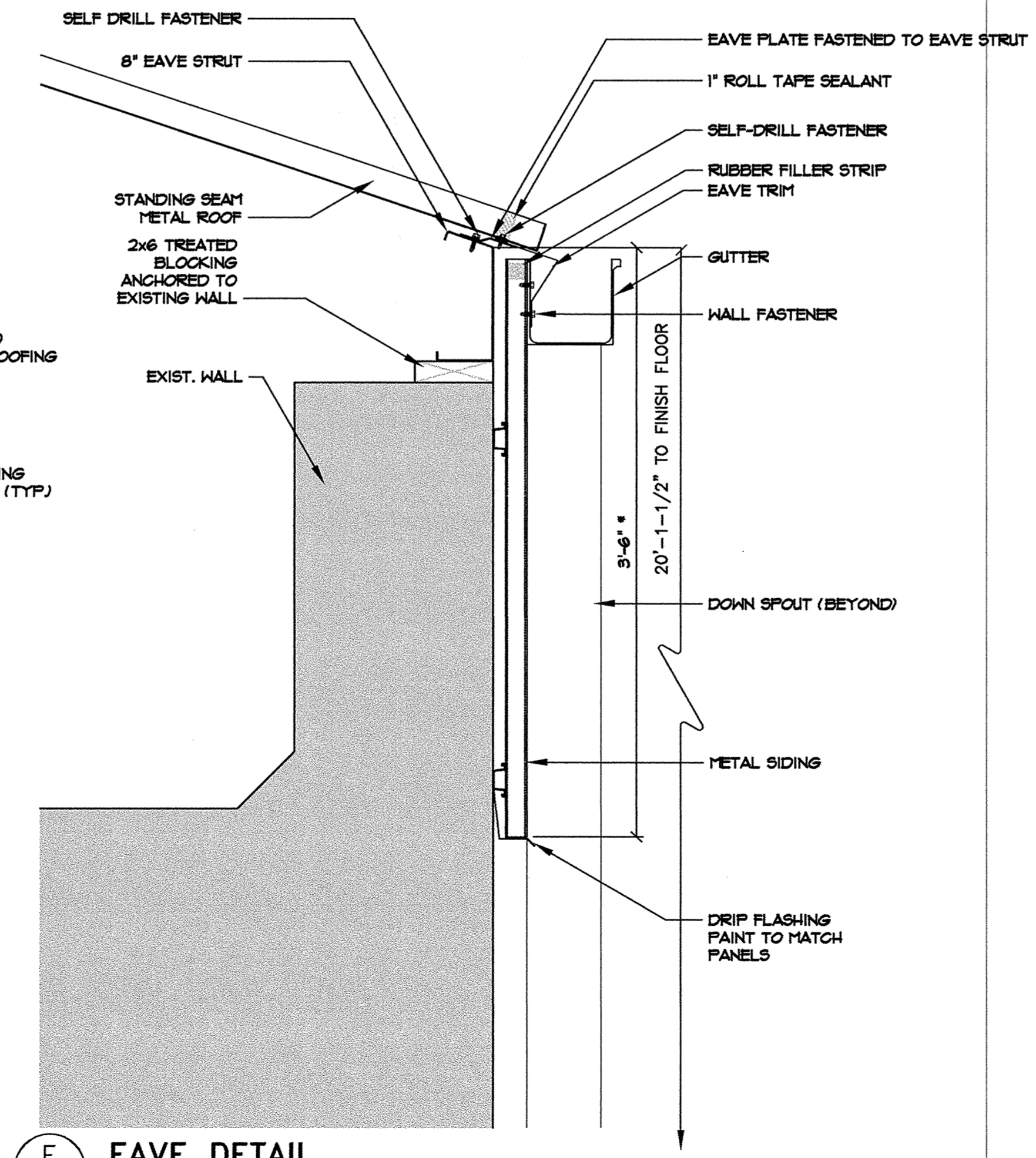
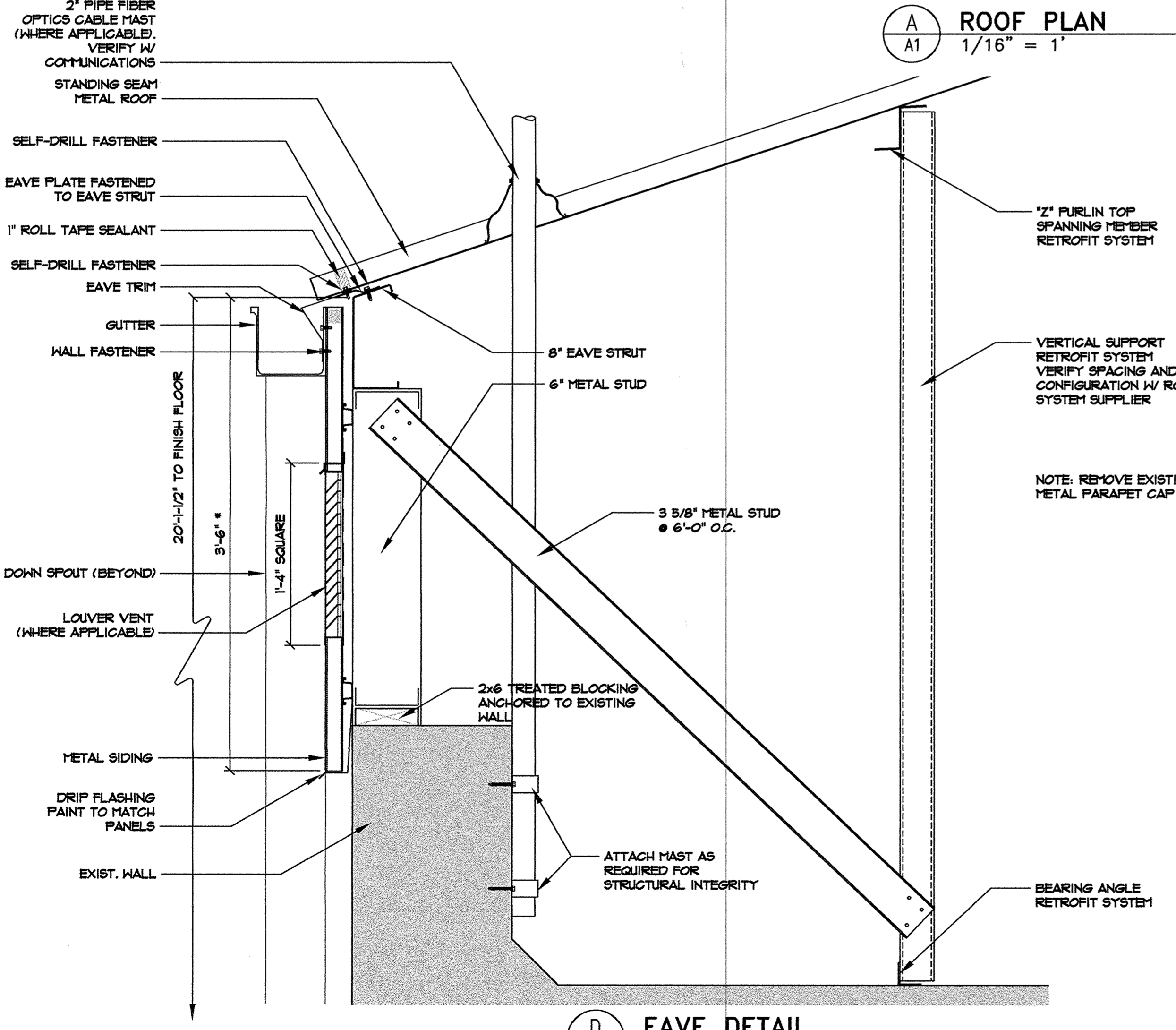


**CONSTRUCTION NOTES:**

- GENERAL CONTRACTOR TO VERIFY ALL DETAILS AND EXISTING CONDITIONS PRIOR TO CONSTRUCTION. ALL DRAWINGS FOR GRAPHIC PURPOSES ONLY. GENERAL CONTRACTOR TO MODIFY DETAILS AS REQUIRED FOR METAL ROOFING AND STRUCTURAL SYSTEM USED.
- VERIFY ALL EXISTING BUILDING DIMENSIONS PRIOR TO FABRICATION OF RETROFIT SYSTEM.
- METAL ROOFING DETAILS AS SHOWN ON THIS SHEET ARE MANUFACTURER AND SYSTEM SPECIFIC. REFER TO ROOFING MANUFACTURER'S STANDARD DETAILS TO PROVIDE A WEATHER-TIGHT INSTALLATION.
- EXISTING HVAC OR VENTILATION SYSTEM LOCATED ON ROOF TO BE RAISED ABOVE EXISTING LOCATION AND MOUNTED ON CURB SUPPLIED BY METAL ROOFING CONTRACTOR AS REQUIRED.
- GENERAL CONTRACTOR TO EXTEND ALL ROOF VENTILATION THRU NEW ROOF. VERIFY CONDITION REQUIREMENTS IN FIELD.
- DO NOT SCALE DRAWINGS.



**(A A1) ROOF PLAN**  
 $1/16" = 1'$



\* DIMENSION TO ALIGN BOTTOM OF METAL PANEL WITH EXISTING METAL SIDING WHERE OCCURS. VERIFY IN FIELD. REPLACE EXISTING PANELS.

100%  
 RE-SUBMITTAL  
 07-11-01

**AVIONICS BUILDING 216**  
**AIR NATIONAL GUARD**  
**FT. SMITH, ARKANSAS - HKRZ982035**  
**TYPE "A & B" SERVICES**

---

**The Benham Group**  
 210 Town Center SE  
 Bella Vista, Arkansas 72714  
 (501) 855-2030  
**Architects • Engineers**  
**Planners • Consultants**

DATE: 06/13/00  
 SCALE: AS NOTED  
 DESIGNED: JSR  
 DRAWING: ART  
 APPROVED: TEG

| NO. | DATE | BY | REVISIONS |
|-----|------|----|-----------|
|     |      |    |           |
|     |      |    |           |
|     |      |    |           |
|     |      |    |           |
|     |      |    |           |
|     |      |    |           |
|     |      |    |           |
|     |      |    |           |
|     |      |    |           |
|     |      |    |           |
|     |      |    |           |
|     |      |    |           |
|     |      |    |           |
|     |      |    |           |
|     |      |    |           |
|     |      |    |           |
|     |      |    |           |

A1 OF