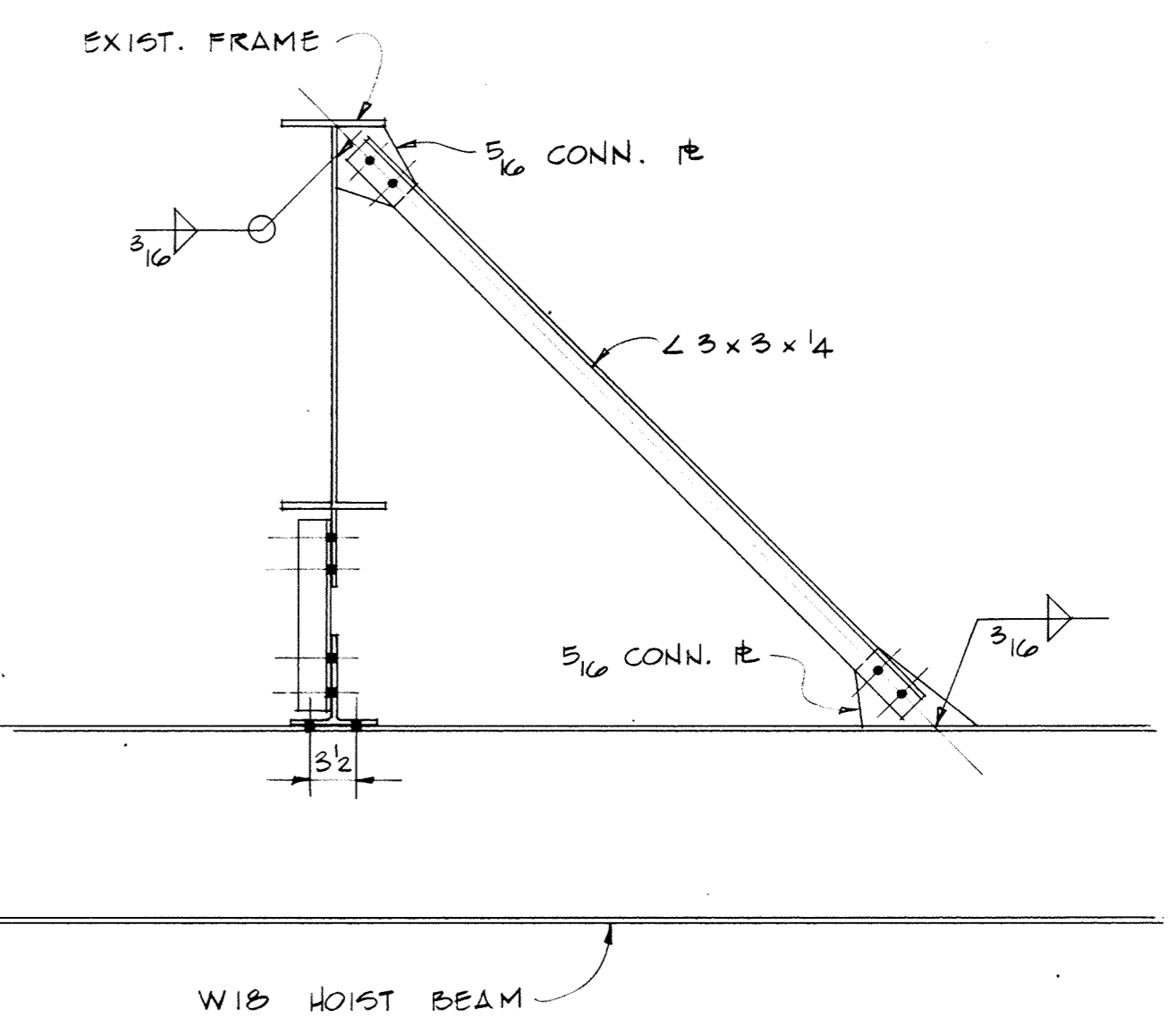
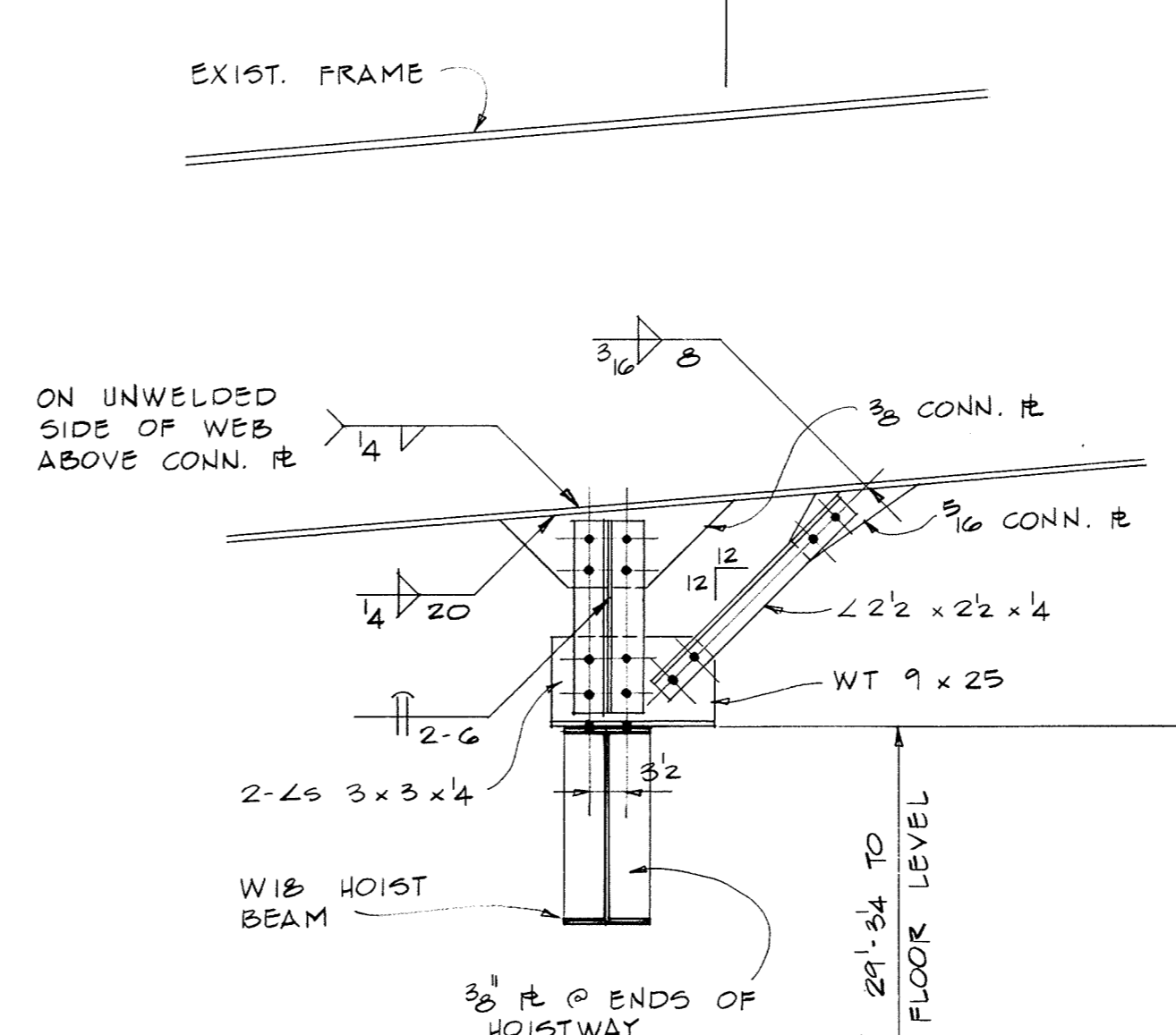
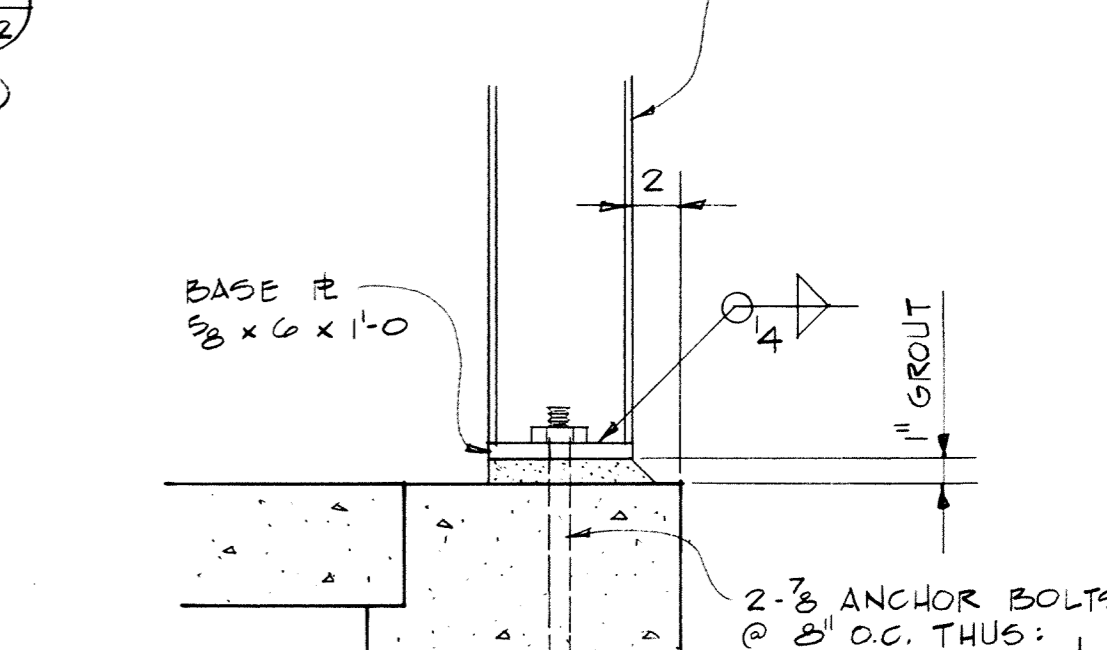
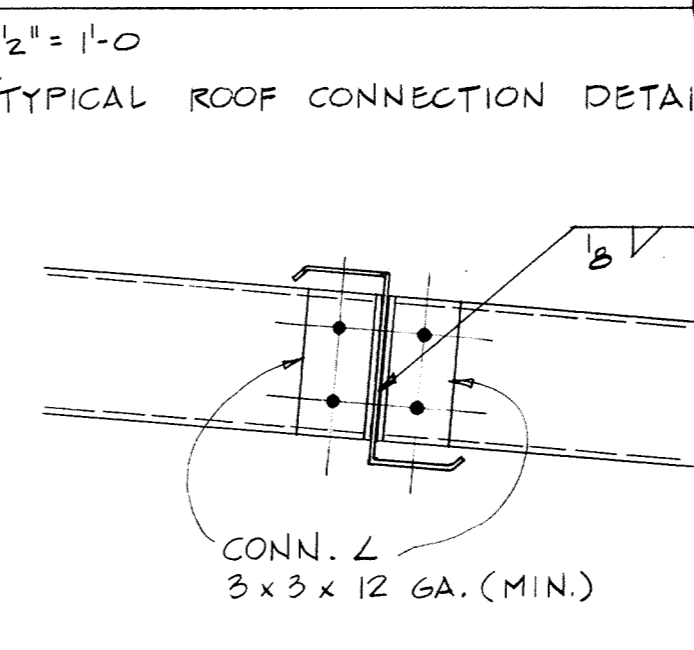
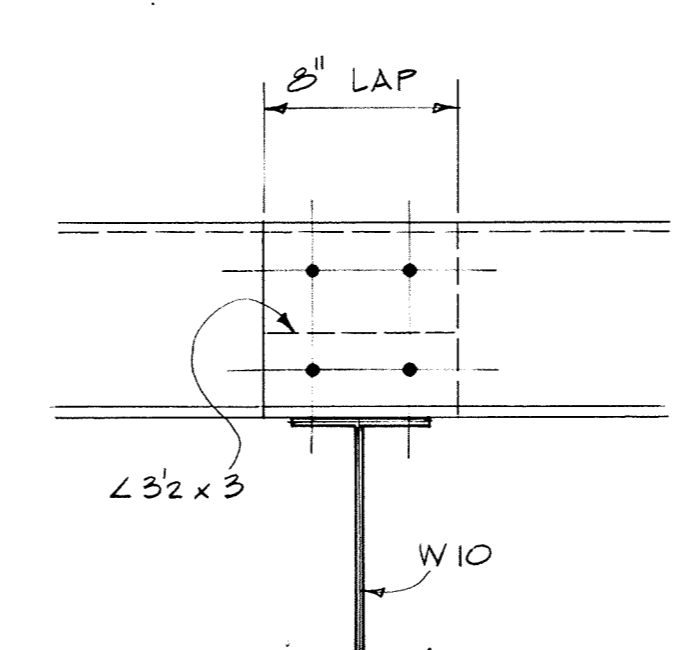
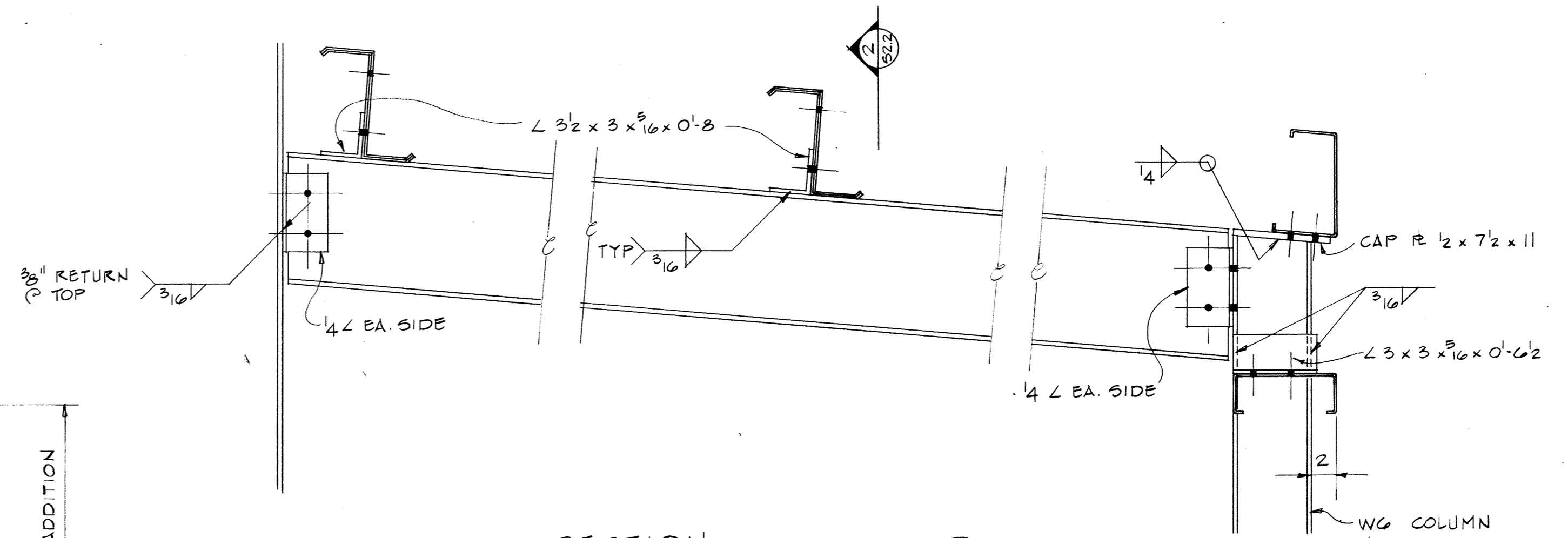
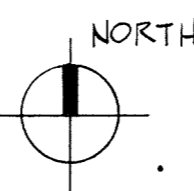


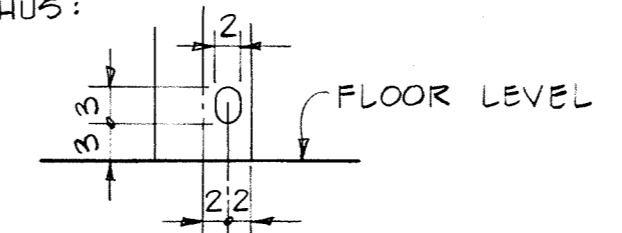
ROOF FRAMING PLAN

1/2" = 1'-0"

- NOTES: 1. INSTALL METAL ROOFING SPECIFIED OVER NEW STEEL FRAMING.
 2. ELEVATIONS OF BOTTOM OF NEW METAL ROOFING ARE INDICATED THUS: LOCATE AND SLOPE SUPPORTING STEEL ACCORDINGLY.
 3. COLD FORMED MEMBERS SHALL BE AS FOLLOWS: P1 = 8 x 3 1/2 x 14 GA. L
 E1 = 8 x 5 x 3 1/2 x 14 GA. D
 B1 = 6 x 2 1/2 x 16 GA. C



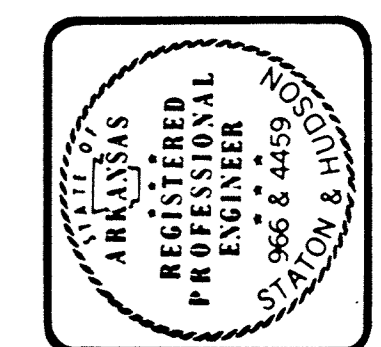
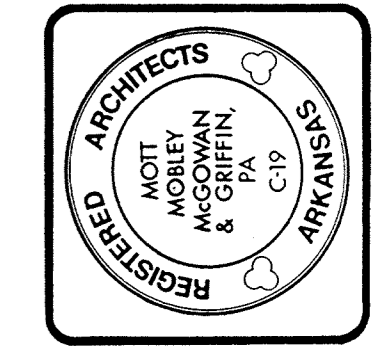
REMOVE PLUG FROM FRAME FLANGE FOR ANALYSIS (SEE SPECIFICATION SECTION 5120 - PARAGRAPH 7b) THUS:



AFTER WELDING REQUIREMENTS HAVE BEEN VERIFIED REINSTALL NEW PLUG - WELDED ALL AROUND W/GROOVE WELD AND GROUND SMOOTH.

DETAIL

MM MG
 Mott Mobley McGowan & Griffin, P.A.: Architects
 302 North Sixth Street
 Fort Smith, Arkansas 72901



CONTRACT NO. DAHA03-87-D-0011 / 9DOZ
 PROJECT NO. HKRZ - 001274
ADAL ENGINE I & R SHOP
 AIR NATIONAL GUARD TRAINING FACILITY
 MUNICIPAL AIRPORT - FT. SMITH, ARKANSAS

ROOF FRAMING PLAN & DETAILS

Revisions	
1370A	S2.2
Plan Number	
11-2-88	
Date	