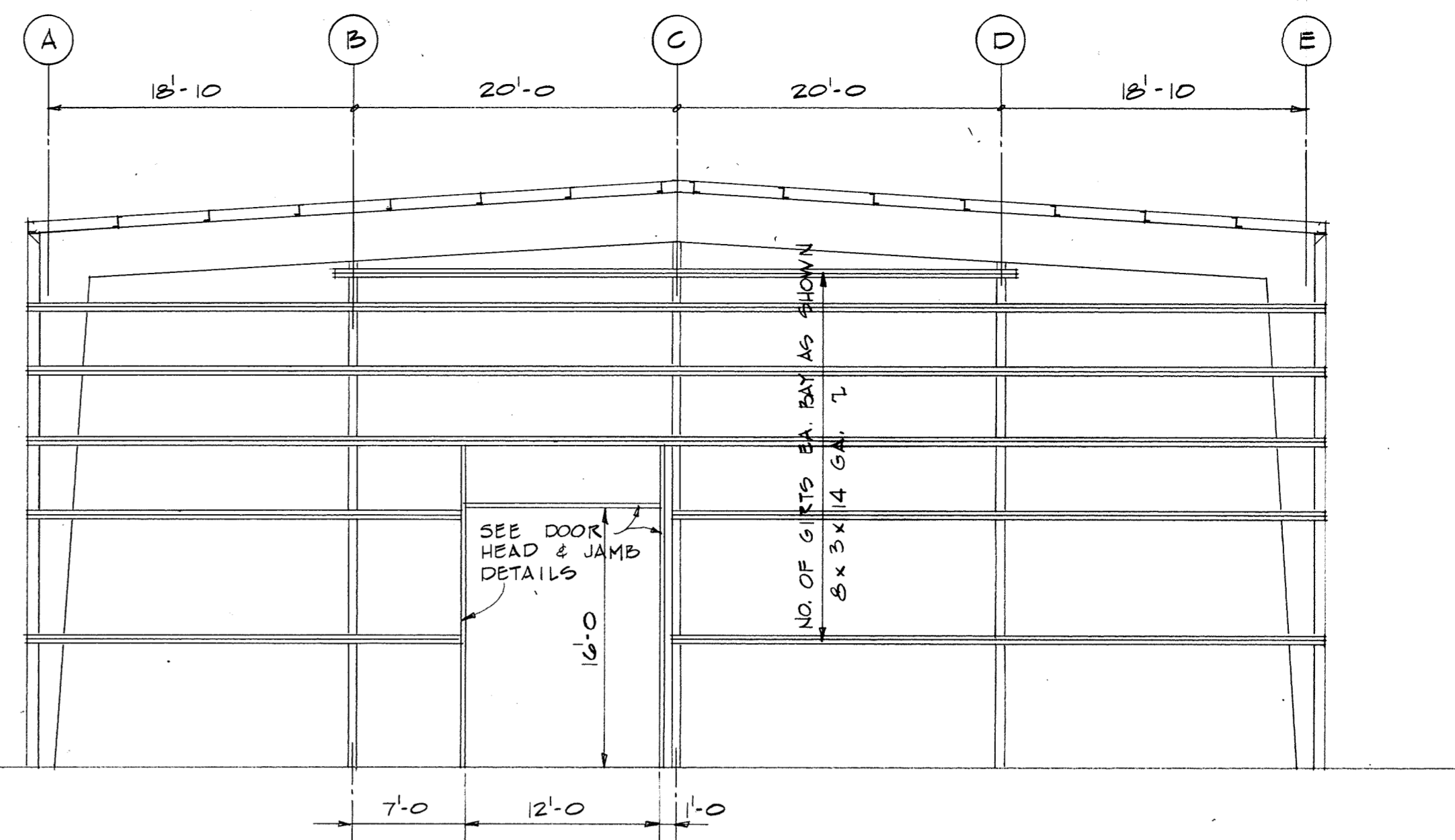


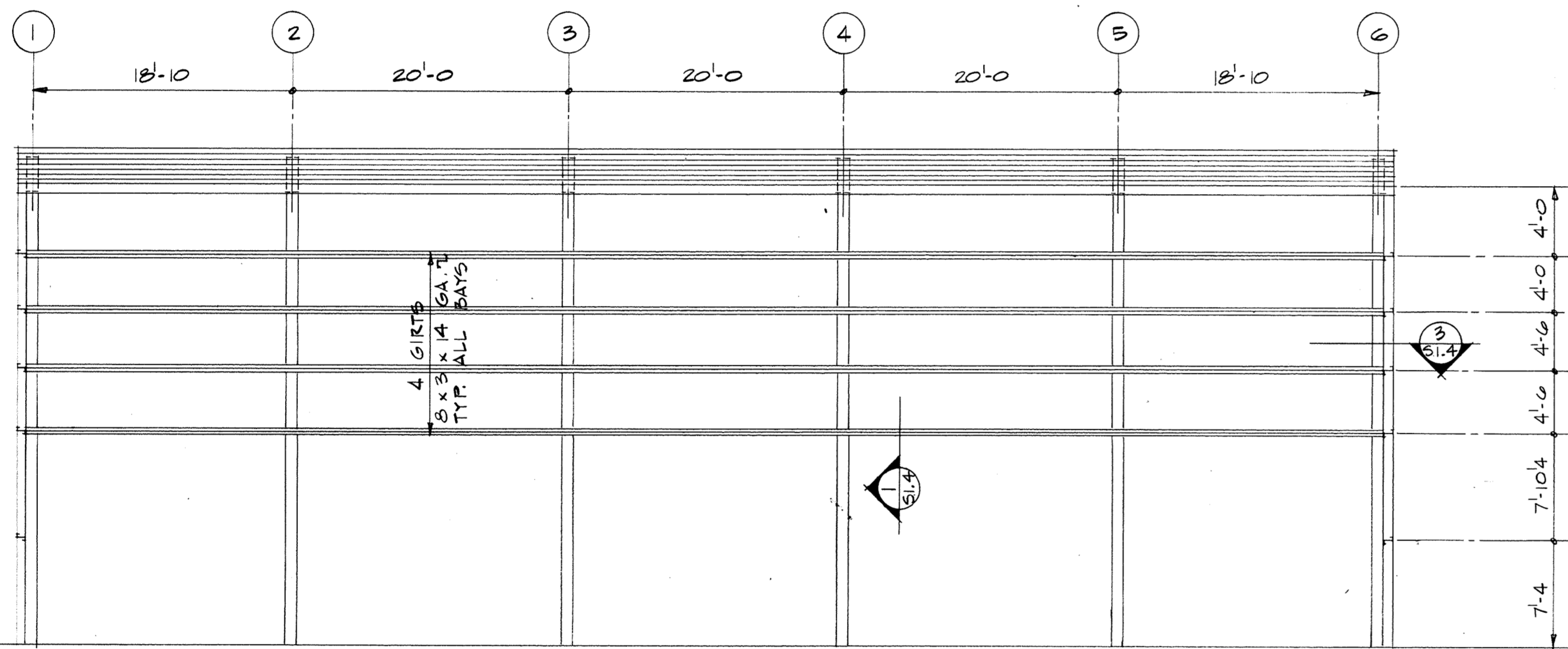
NORTH WALL FRAMING ELEVATION

1/2" = 1'-0"



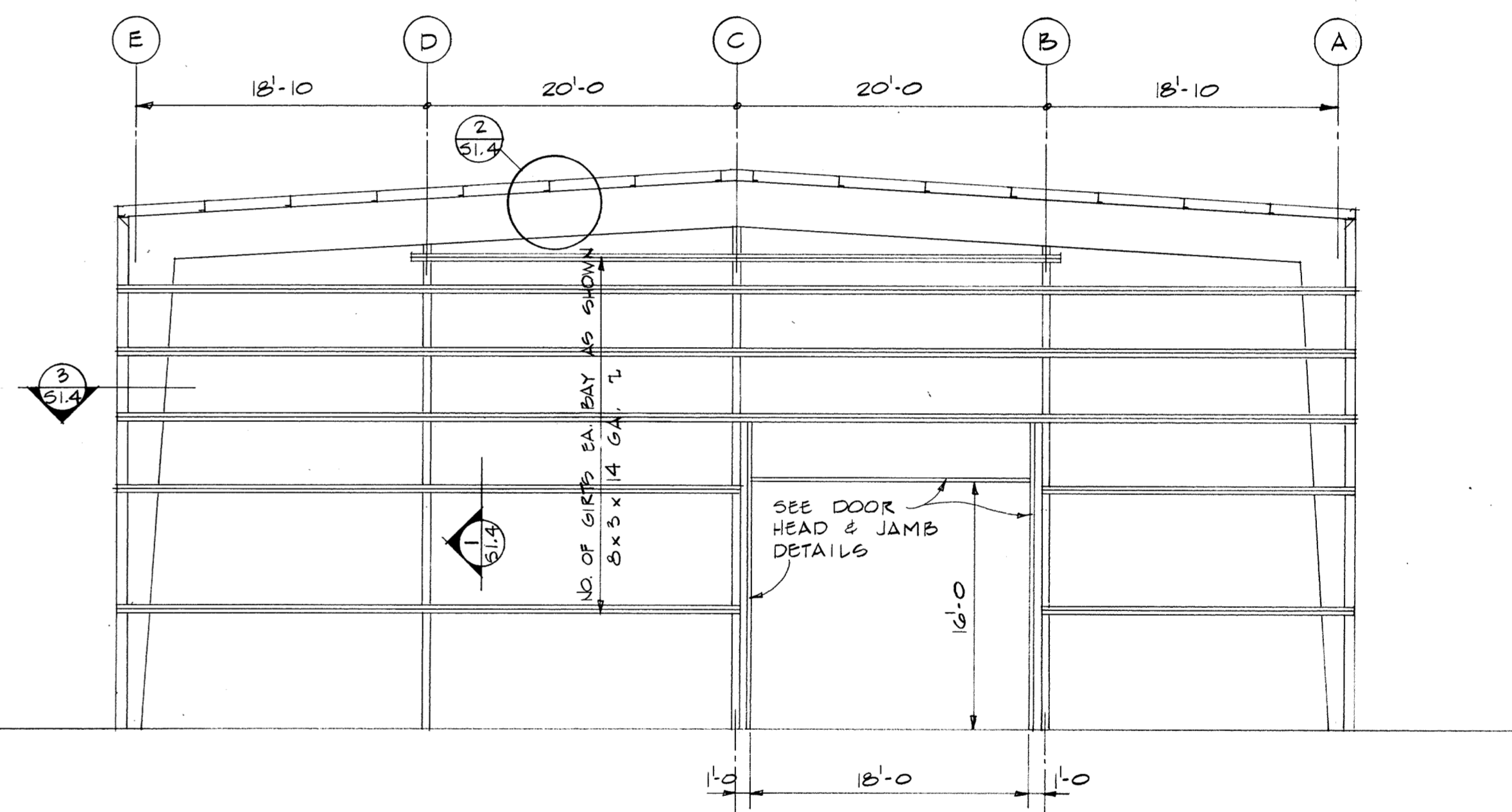
WEST WALL FRAMING ELEVATION

1/2" = 1'-0"



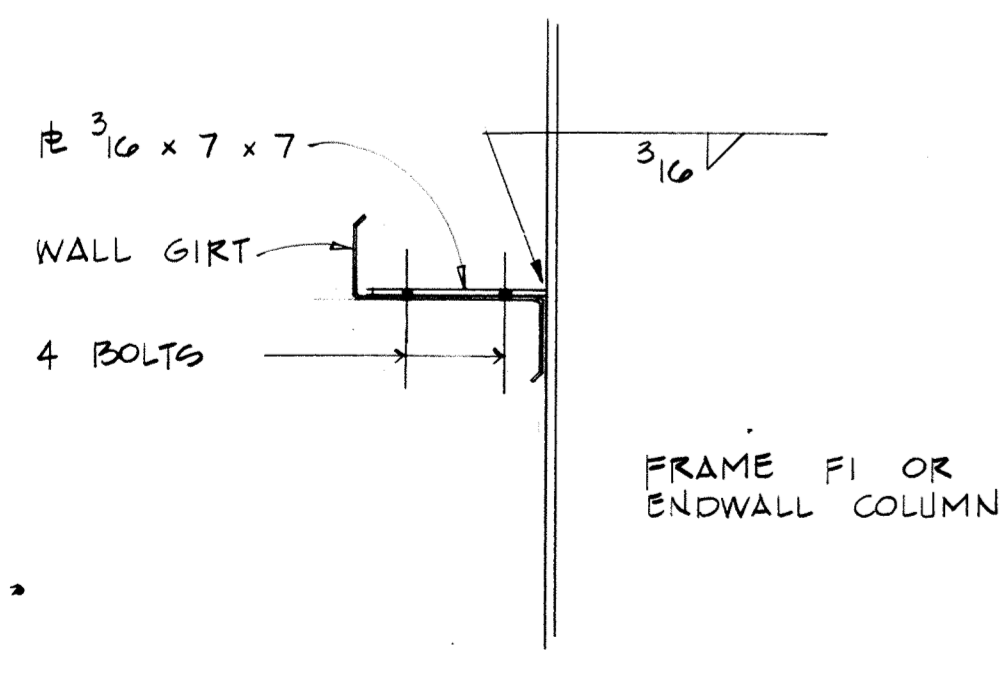
SOUTH WALL FRAMING ELEVATION

1/2" = 1'-0"

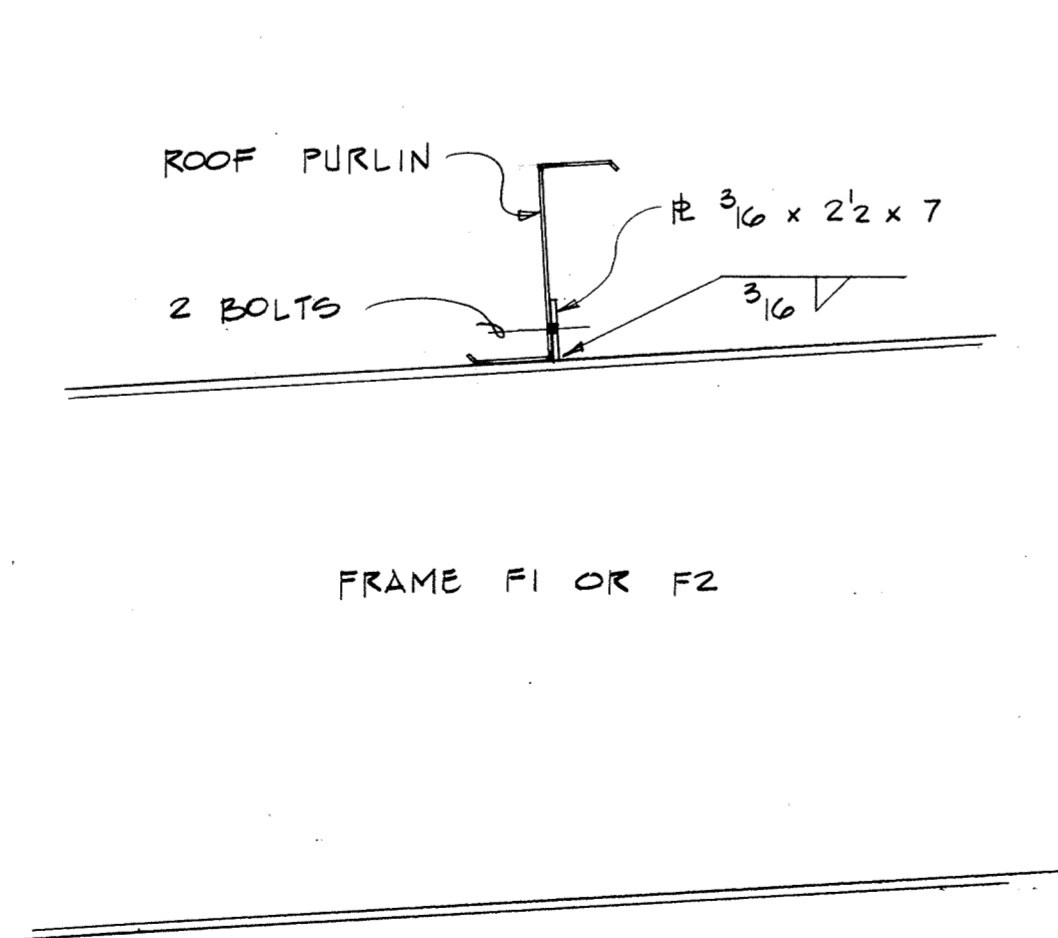


EAST WALL FRAMING ELEVATION

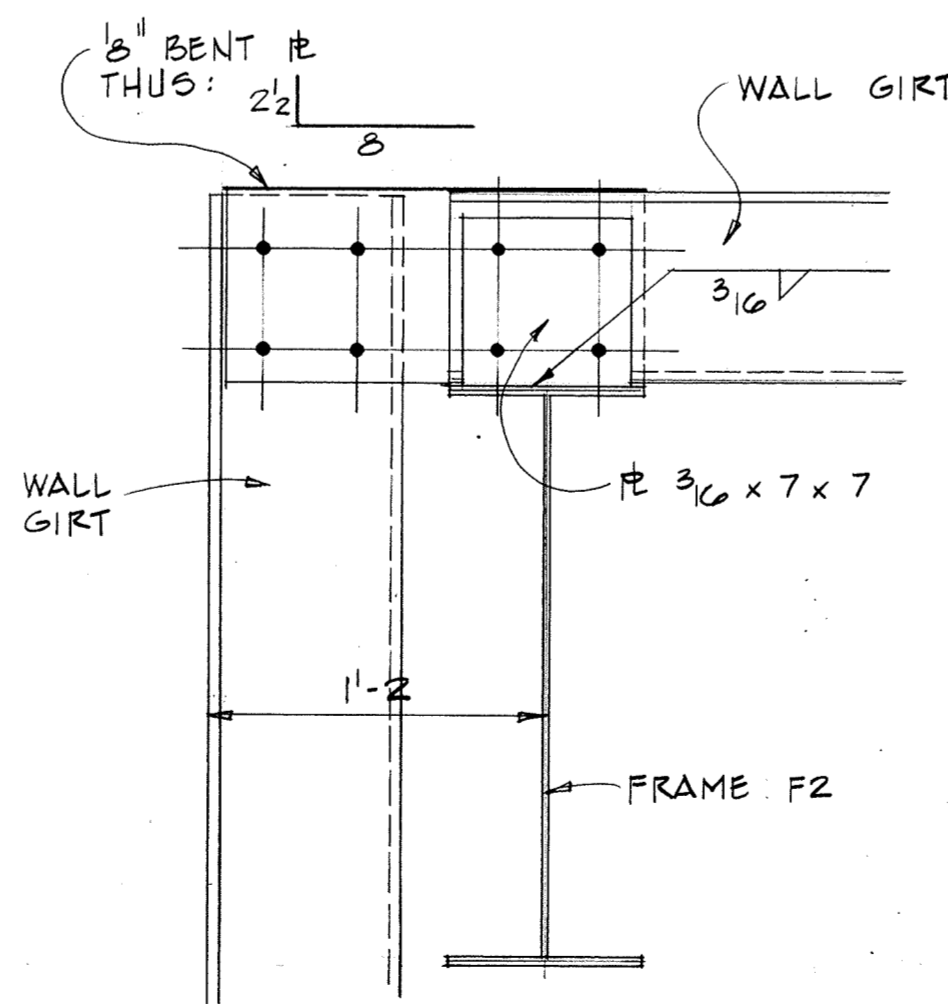
1/2" = 1'-0"



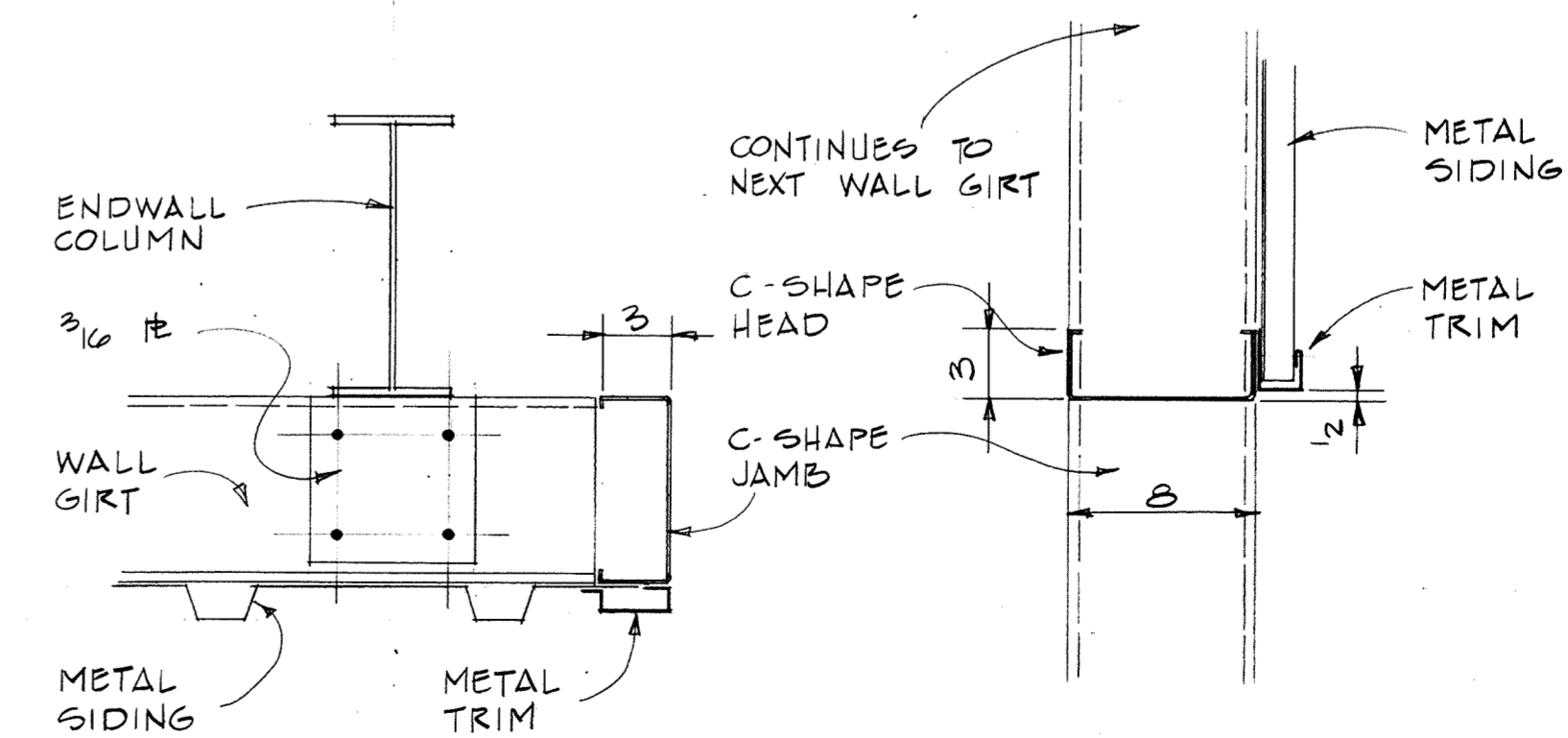
DETAIL 1
1/2" = 1'-0"
(TYPICAL WALL GIRTS CONNECTION)



DETAIL 2
1/2" = 1'-0"
(TYPICAL ROOF PURLIN CONNECTION)



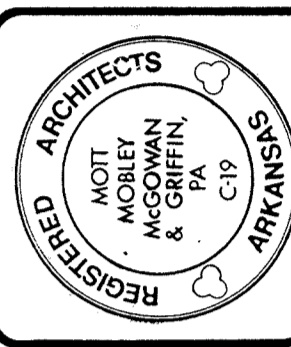
DETAIL 3
1/2" = 1'-0"
(TYPICAL WALL GIRTS CORNER CONNECTION)



JAMB HEAD
DOOR FRAME DETAILS
1/2" = 1'-0"

MM MG

Mott Mobley McGowan & Griffin, P.A.: Architects
302 North Sixth Street
Fort Smith, Arkansas 72901



PROJECT NO. FSM-41274
ADAL ENGINE I & R SHOP
AIR NATIONAL GUARD TRAINING FACILITY
MUNICIPAL AIRPORT - FT. SMITH, ARKANSAS

AS BUILT
STRUCTURAL
DRAWINGS
OF EXIST.
BUILDING

Revisions
1370A
Plan Number
4/26/88
Date
S1.4
or