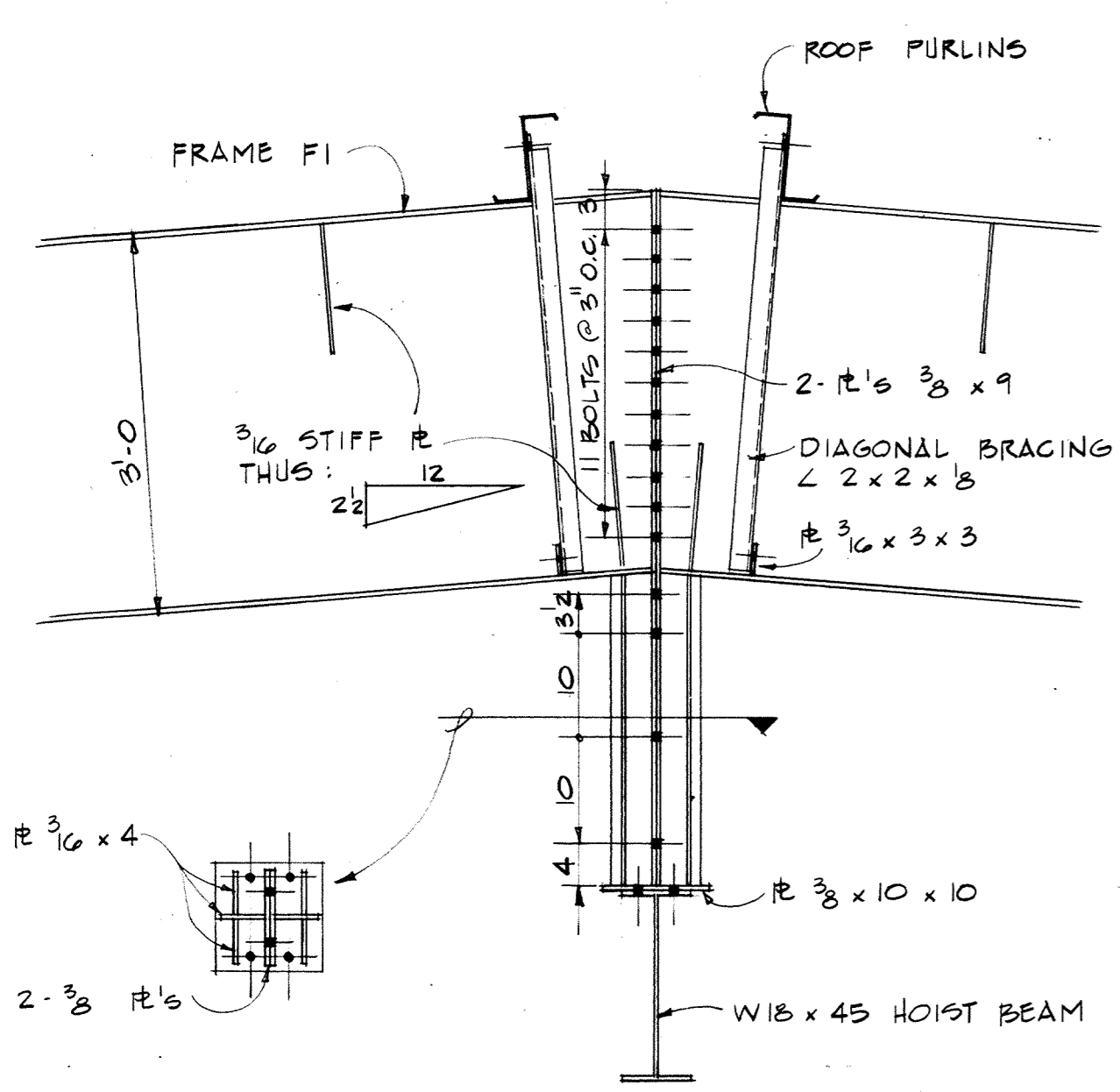
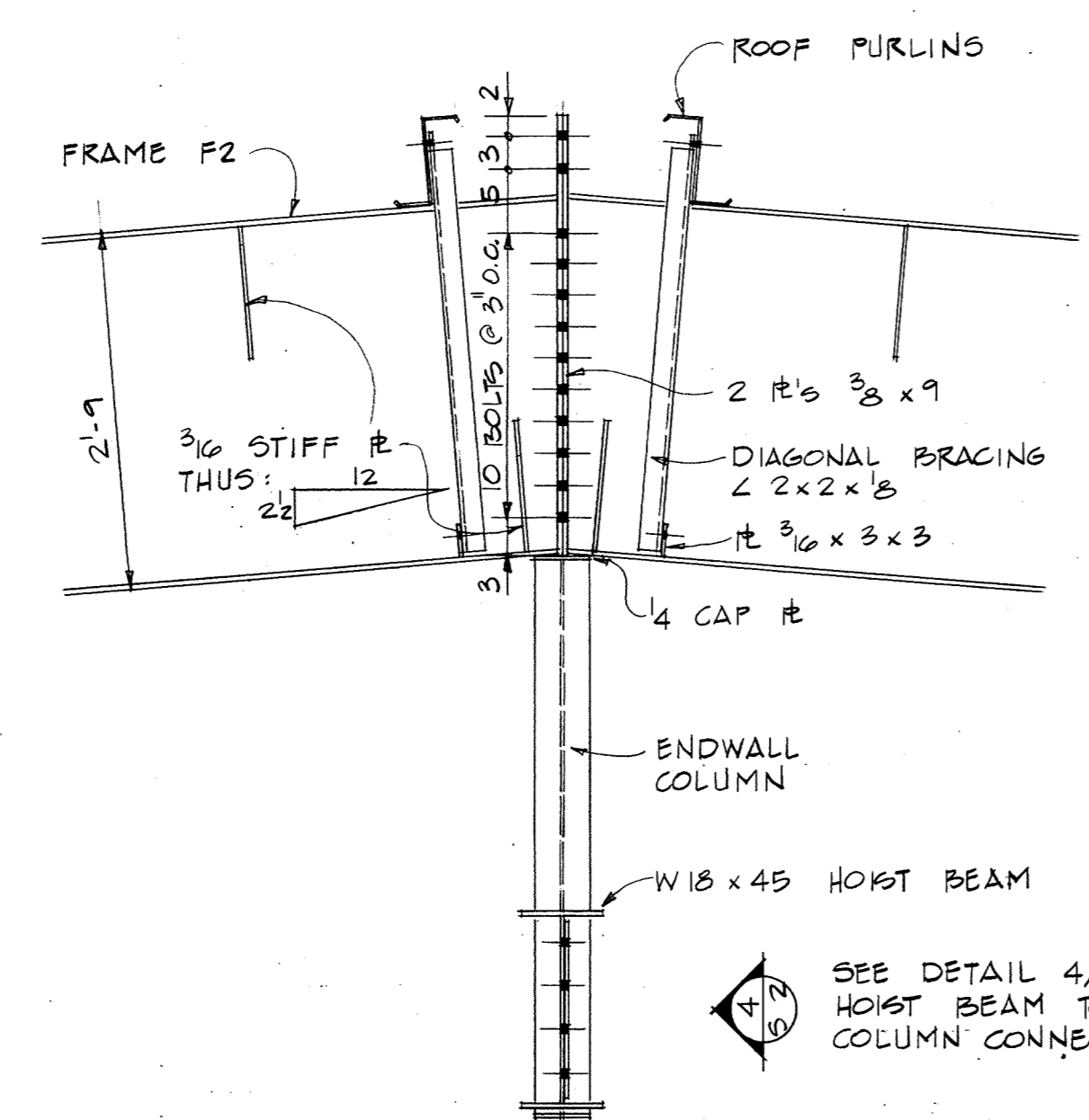


FRAMES F1 & F2  
3/4" = 1'-0"

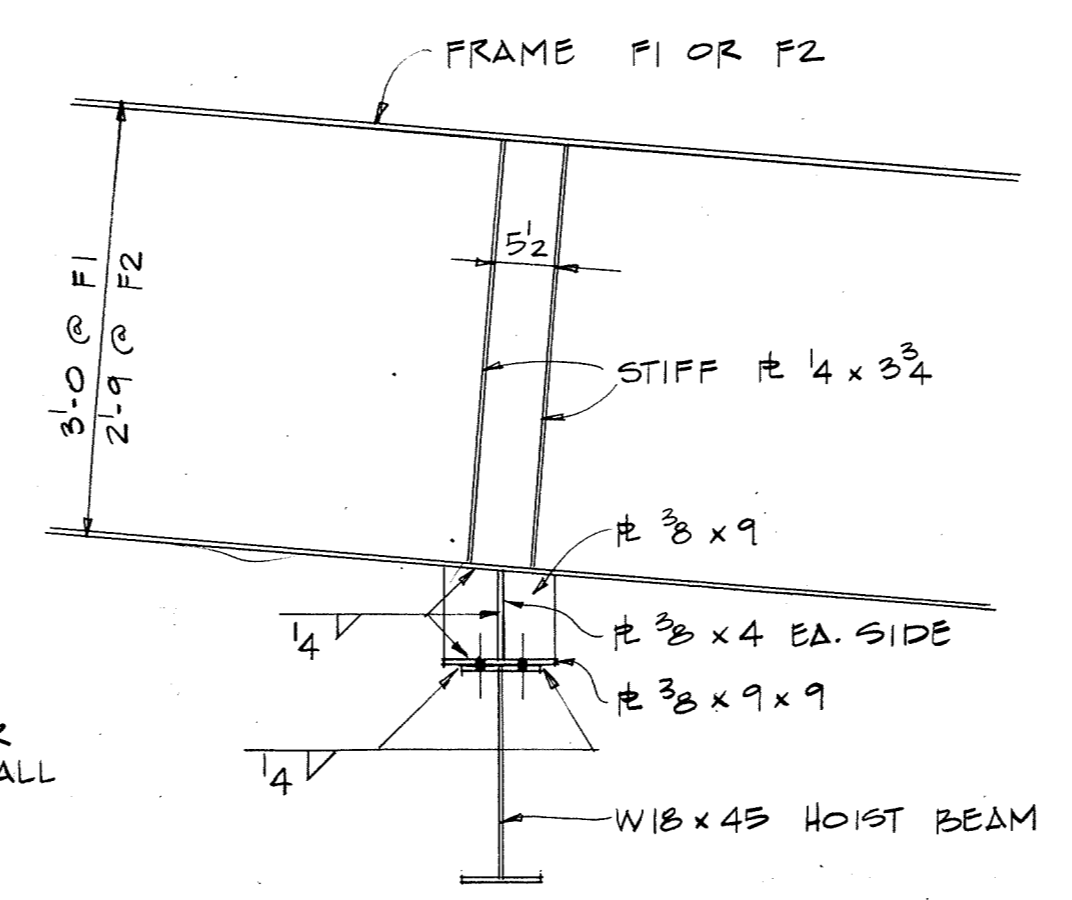
NOTE: CONNECTION BOLTS FOR STRUCTURAL STEEL ARE ASTM A490 - 3/4 φ.  
OTHER CONNECTION BOLTS ARE 1/2 φ UNFINISHED BOLTS.



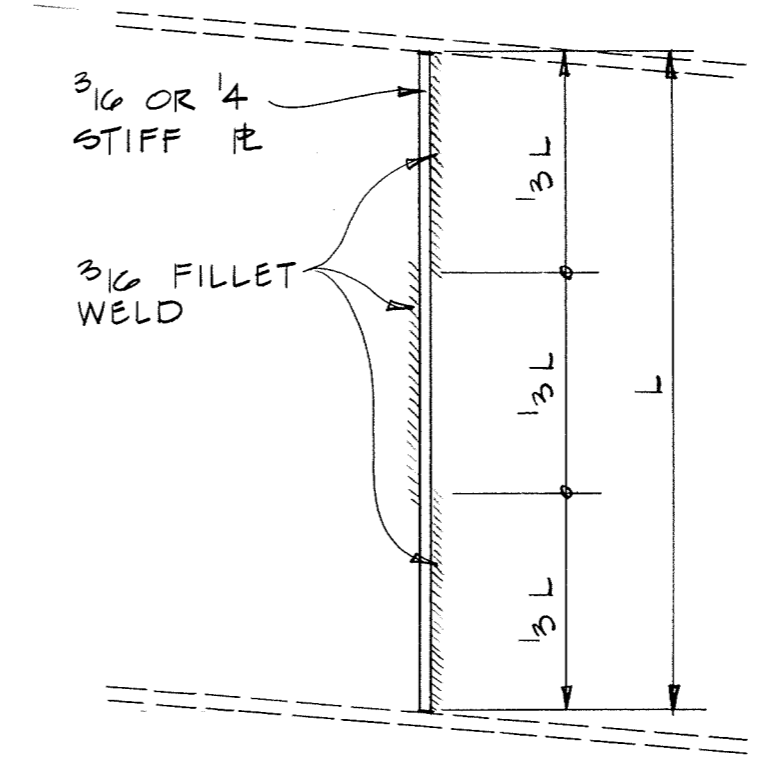
DETAIL @ FRAME F1  
3/4" = 1'-0"



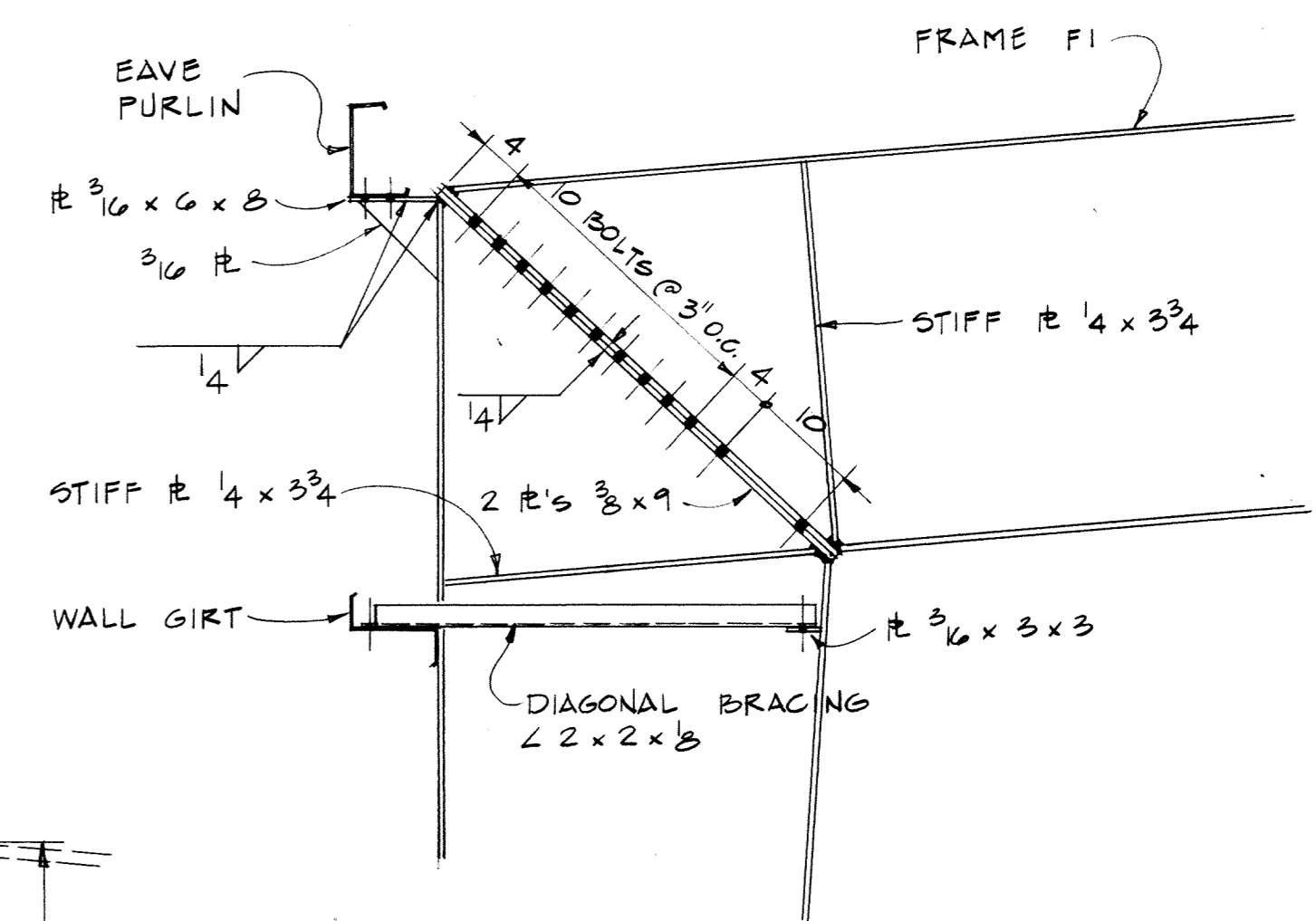
DETAIL @ FRAME F2  
3/4" = 1'-0"



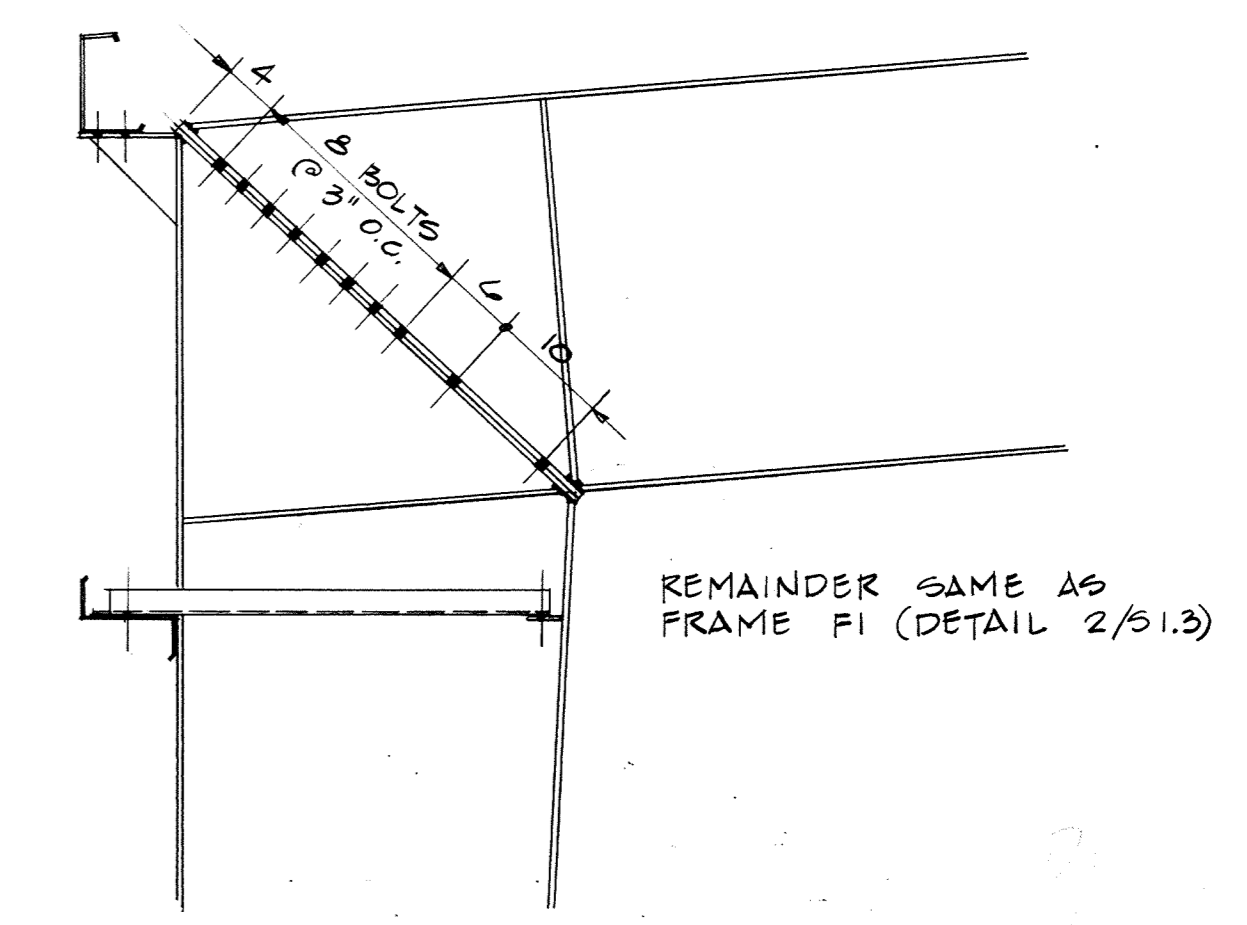
DETAIL  
3/4" = 1'-0"



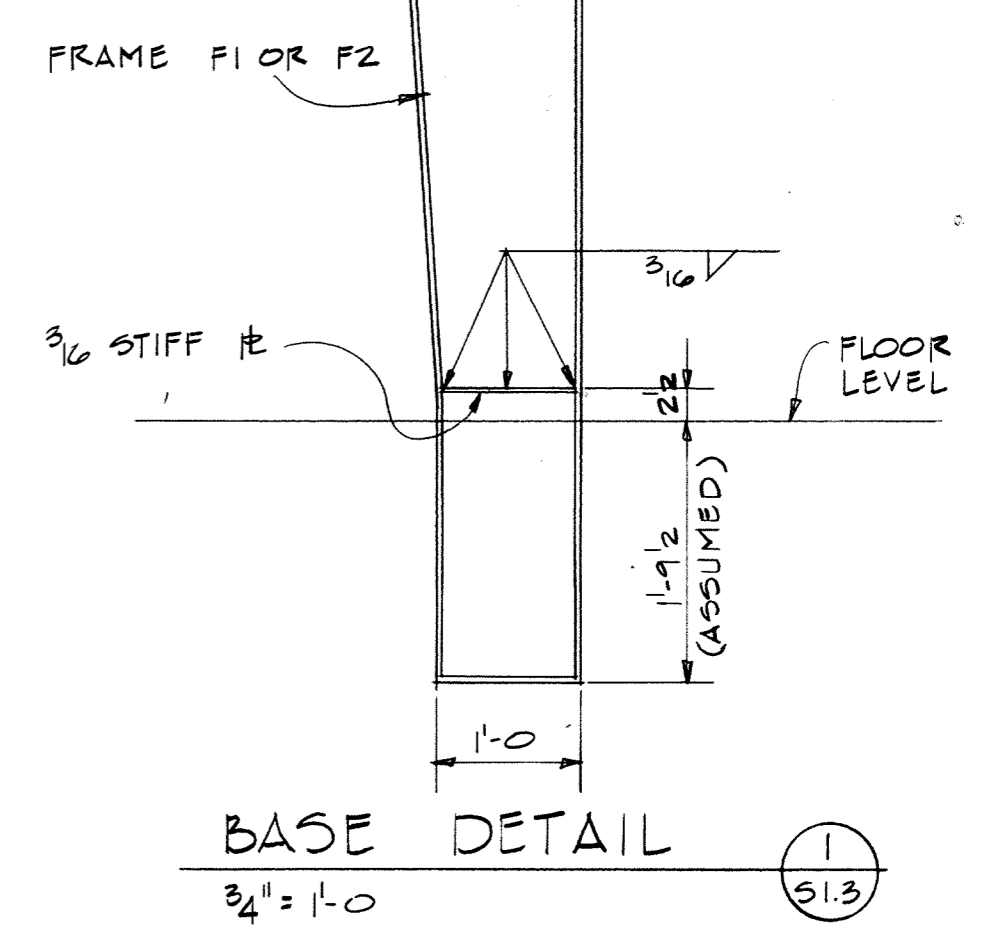
TYP. WELD FOR STIFFENER PLATES  
NO SCALE



DETAIL @ FRAME F1  
3/4" = 1'-0"



DETAIL @ FRAME F2  
3/4" = 1'-0"



BASE DETAIL  
3/4" = 1'-0"

DRAWING 40-31-8303

PROJECT NO. FSM-41274  
**ADAL ENGINE I & R SHOP**  
 AIR NATIONAL GUARD TRAINING FACILITY  
 MUNICIPAL AIRPORT - FT. SMITH, ARKANSAS

REGISTERED ARCHITECTS  
 MOBLEY MCGOWAN & GRIFFIN, P.A.  
 FORT SMITH, ARKANSAS

REGISTERED PROFESSIONAL ENGINEER  
 MOBLEY MCGOWAN & GRIFFIN, P.A.  
 FORT SMITH, ARKANSAS

AS BUILT STRUCTURAL DRAWINGS OF EXIST. BUILDING

|             |         |
|-------------|---------|
| Revisions   |         |
| 1370A       | S1.3    |
| Plan Number |         |
| Date        | 4/26/88 |
| Or          |         |