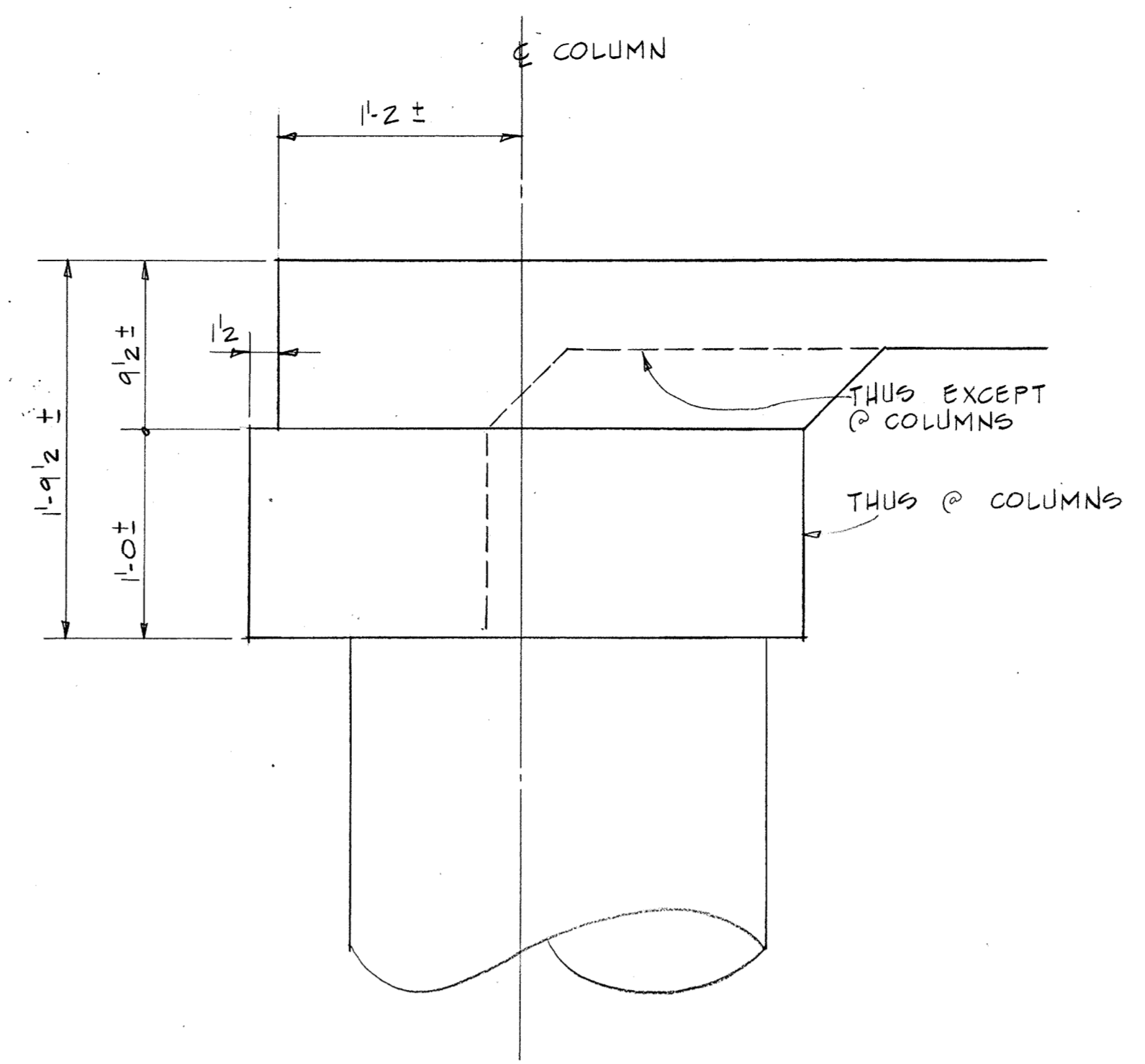
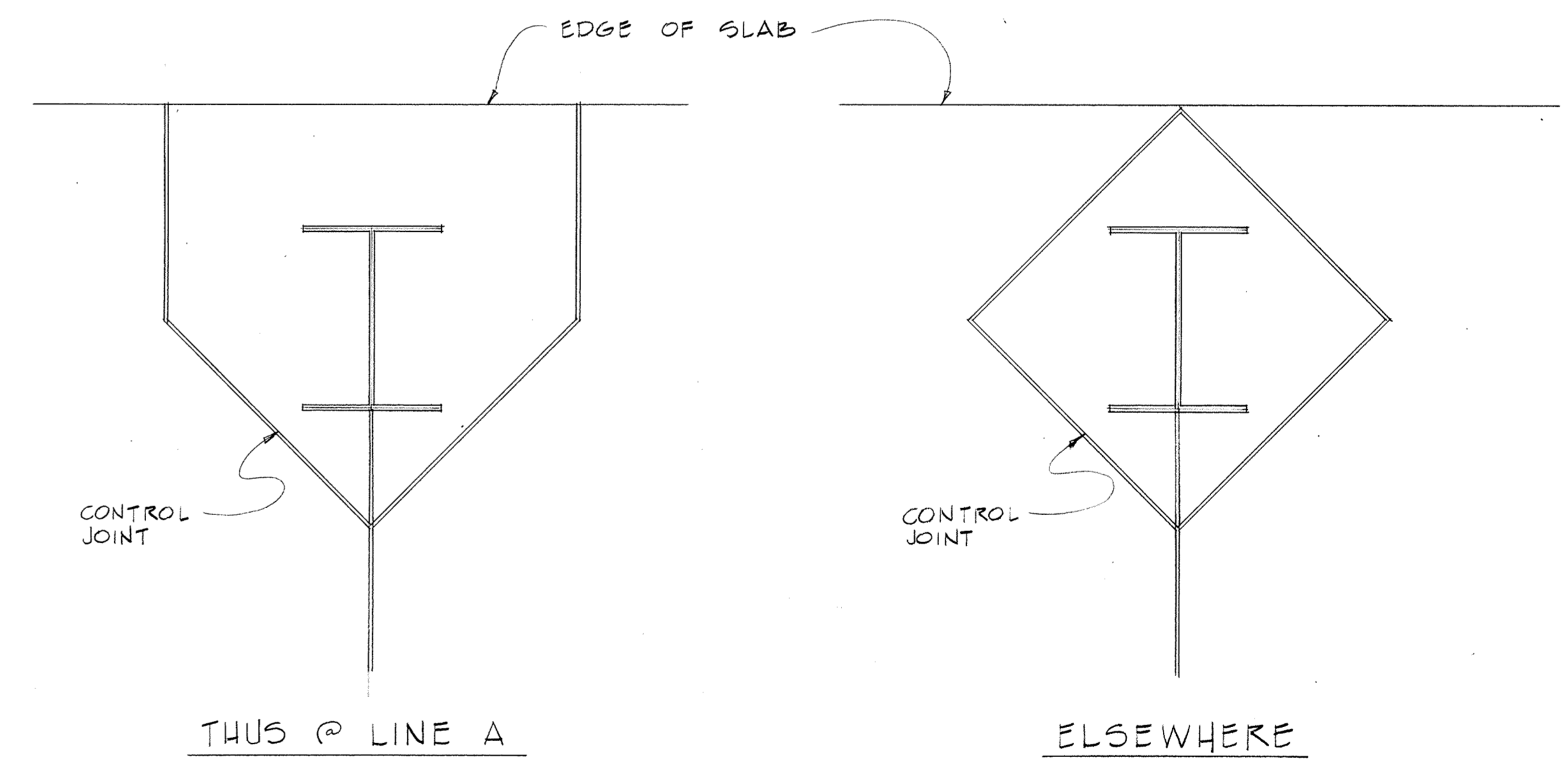


FOUNDATION PLAN
 $\frac{1}{2}'' = 1'-0''$

NOTE: FOUNDATION PIER AT A4 LOCATED AND MEASURED APPROX. 2'-0" DIAMETER.
 PIERS ALSO LOCATED AT A2 & A5. OTHER FOUNDATION PIER LOCATIONS ARE ASSUMED.



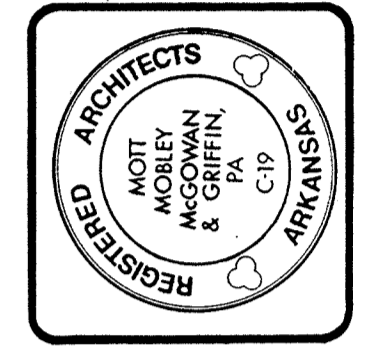
FOUNDATION DETAIL
 $\frac{1}{2}'' = 1'-0''$



CONSTRUCTION JOINT DETAILS @ COLUMNS

DRAWING 40-22 8/20/83

MM MG
 Mott Mobley McGowan & Griffin, P.A. - Architects
 302 North Sixth Street
 Fort Smith, Arkansas 72901



CONTRACT NO. DAHA03-87-D-0011 / 8DOZ
 PROJECT NO. HKRZ - 001274
ADAL ENGINE I & R SHOP
 AIR NATIONAL GUARD TRAINING FACILITY
 MUNICIPAL AIRPORT - FT. SMITH, ARKANSAS

AS BUILT
 STRUCTURAL
 DRAWINGS
 OF EXIST.
 BUILDING

Revisions	
1370A Plan Number	S1.1
4/26/88 Date	Of