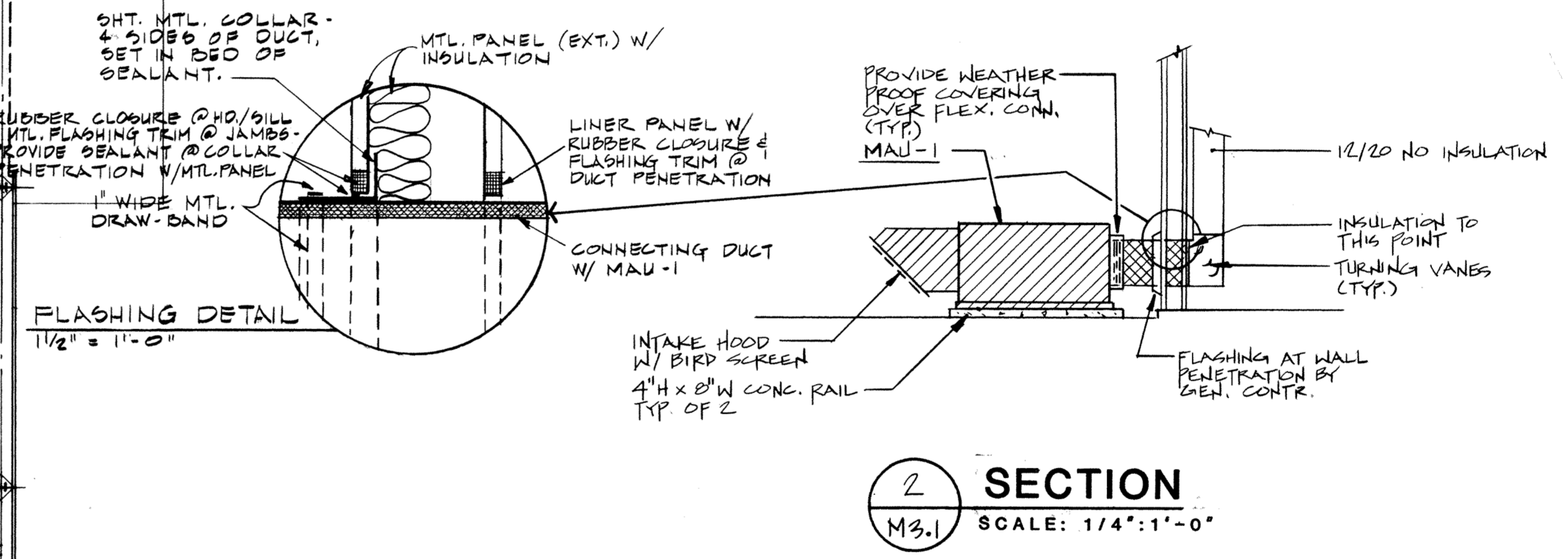


1 SECTION
M3.1 SCALE: 1/4" = 1'-0"



2 SECTION
M3.1 SCALE: 1/4" = 1'-0"

GENERAL NOTES

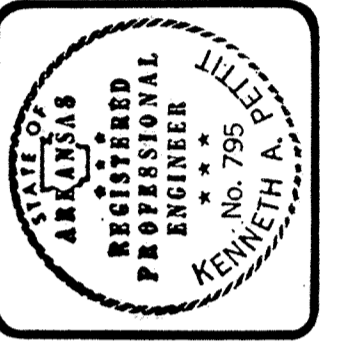
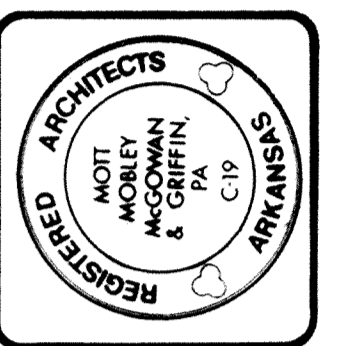
1. DUE TO THE SMALL SCALE OF THIS DRAWING IT IS NOT POSSIBLE TO INDICATE ALL OFFSETS, FITTINGS & ACCESSORIES WHICH MAY BE REQUIRED. CONTRACTOR SHALL INVESTIGATE THE STRUCTURAL & FINISH CONDITIONS AFFECTING THE WORK & SHALL COORDINATE AND ARRANGE HIS WORK ACCORDINGLY.
2. HOLD DUCTWORK AGAINST STRUCTURAL STEEL & RUN LEVEL.
3. DUCT SIZES INDICATED ON PLANS ARE ACTUAL SHEETMETAL SIZES & DO ALLOW FOR INTERNAL INSULATION OF RECTANGULAR DUCT IF APPLICABLE.
4. REFER TO ARCHITECTURAL PLANS FOR EXACT ROOM DIMENSIONS.

HVAC LEGEND

	SUPPLY REGISTER (SR)		EXISTING PIPING
	RETURN AIR REG (RA)		NEW PIPING
	EXHAUST REGISTER (ER)		MANUAL AIR VENT
	CUBIC FEET PER MINUTE		GATE VALVE
	TURNING VANES		BALL VALVE
	MANUAL DAMPER		UNION
	THERMOSTAT		
	NEW EQUIPMENT		
	EXISTING EQUIPMENT		
	ROUND EXHAUST DUCT		
	DETAIL NUMBER		
	SHEET NUMBER WHERE SHOWN		

FLOOR PLAN - HVAC
1/8" = 1'-0"

MM MG
Mott Mobley McGowan & Griffin, P.A.: Architects
302 North Sixth Street
Fort Smith, Arkansas 72901



PROJECT NO. HCRZ - 001274
ADAL ENGINE I & R SHOP
AIR NATIONAL GUARD TRAINING FACILITY
MUNICIPAL AIRPORT - FT. SMITH, ARKANSAS

FLOOR PLAN - HVAC

Revisions	
1370A	M3.1
Plan Number	
11-2-88	
Date	Or