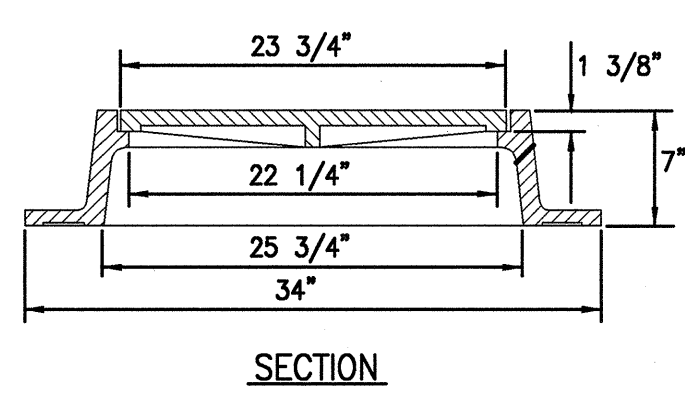
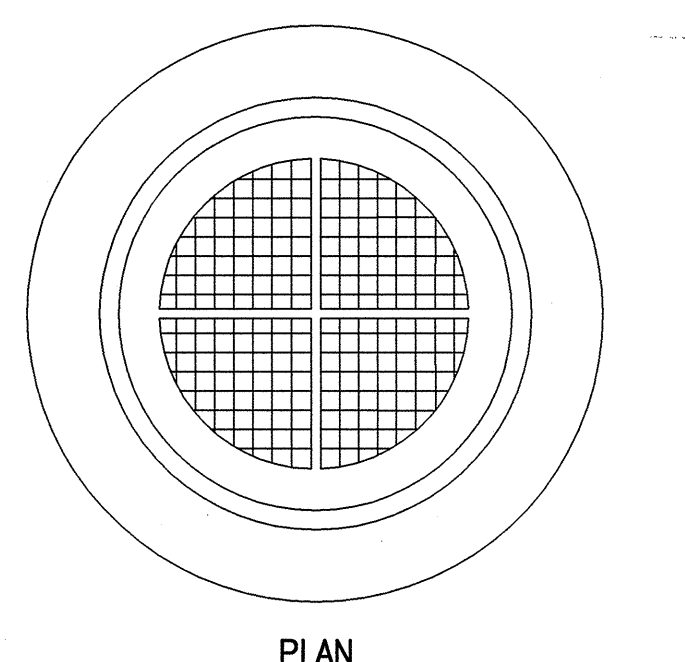


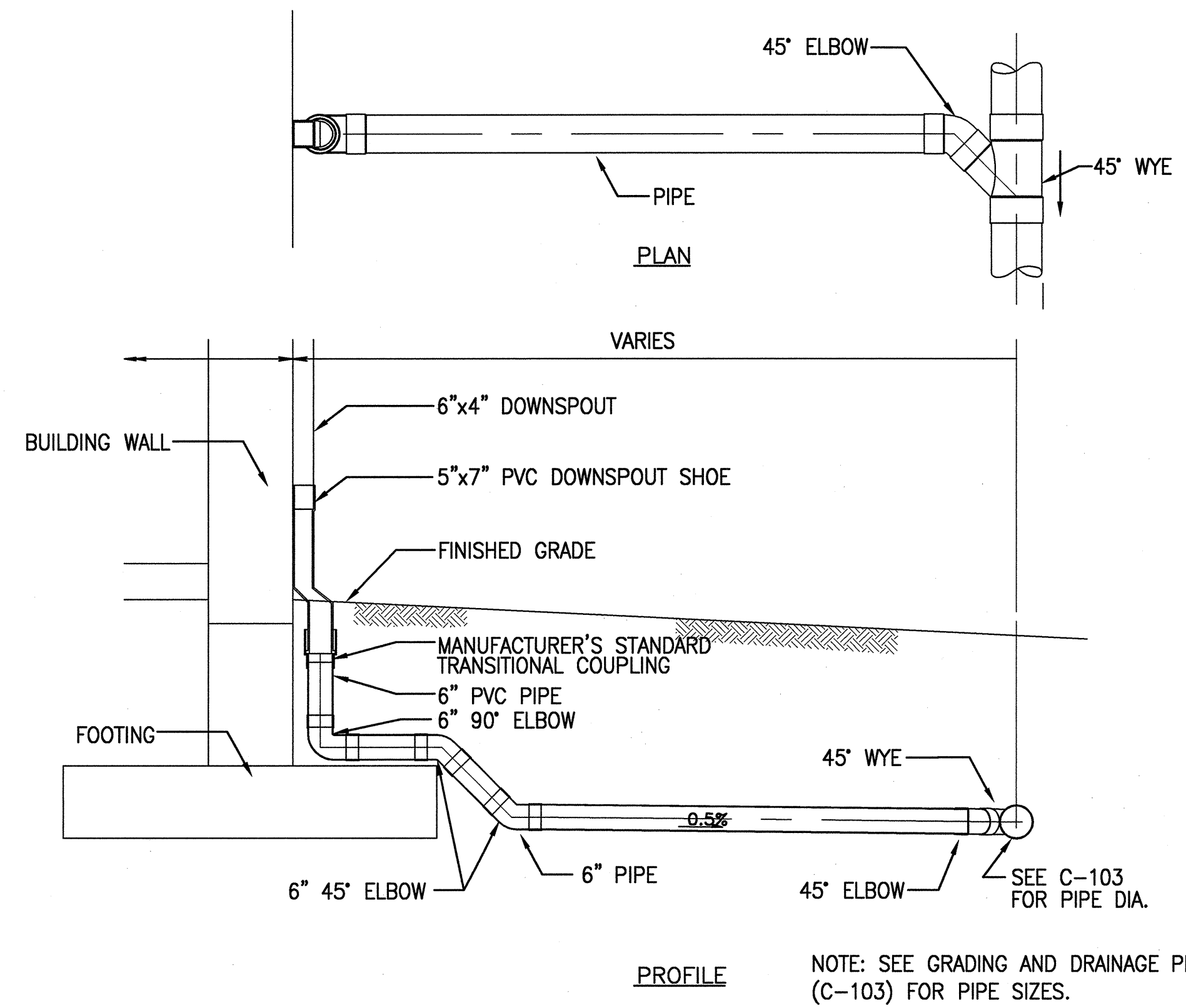
NOTE:
1. PRECAST MANHOLE SECTIONS REINFORCING SHALL CONFORM TO ASTM C478.

30 STORM SEWER MANHOLE
C103 C503 SCALE: N.T.S.

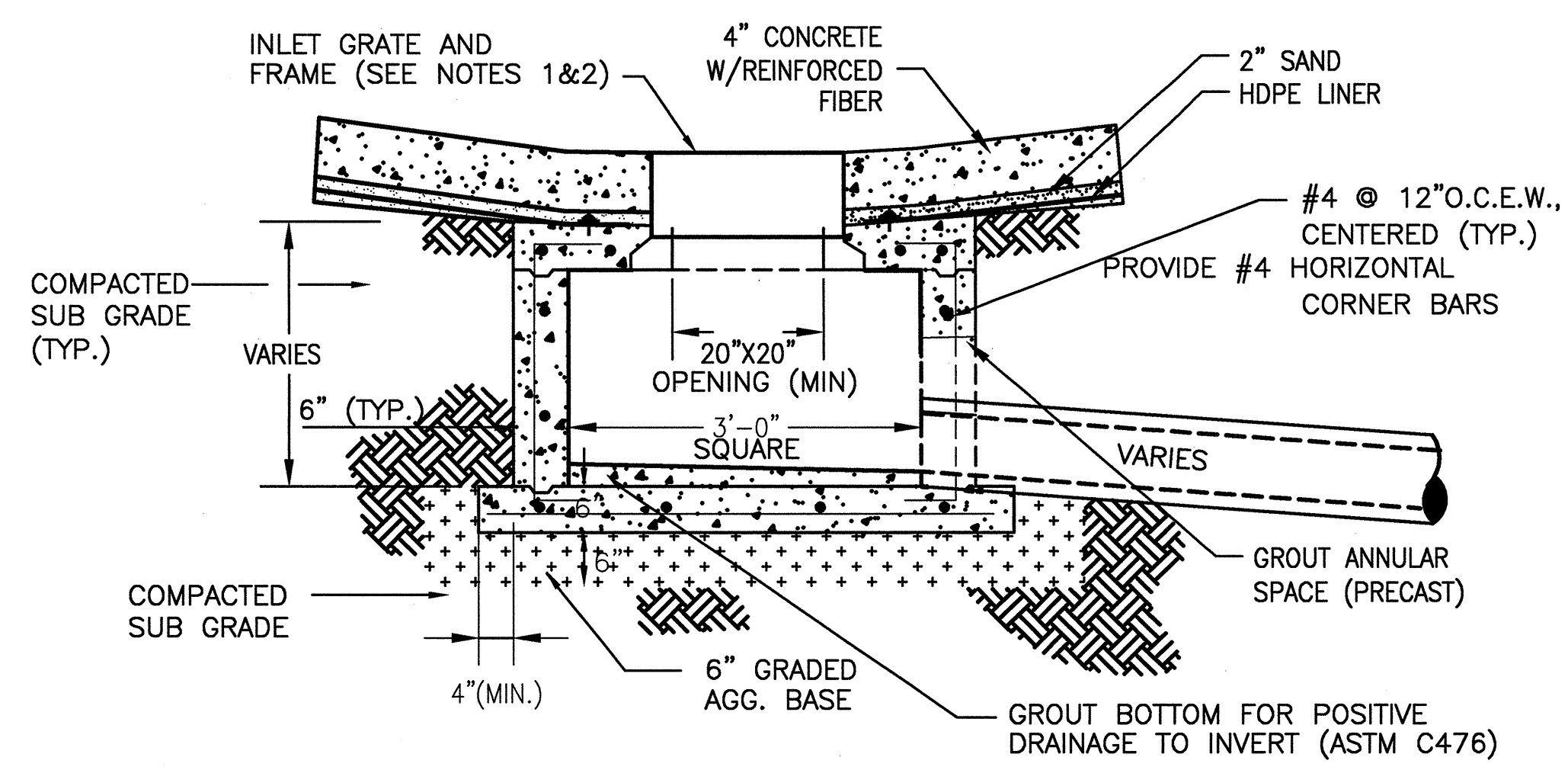


NOTE: MANHOLE RIM & COVER SIMILAR TO NEENAH FOUNDRY CO. R-1412-A4. TOTAL WEIGHT 310#. TYPE "C" LID TO HAVE MACHINED BEARING SURFACES. LID TO BE LETTERED "STORM".

31 STANDARD CONSTRUCTION DETAILS FOR STORM MANHOLE RING AND COVER
C503 C503 SCALE: N.T.S.

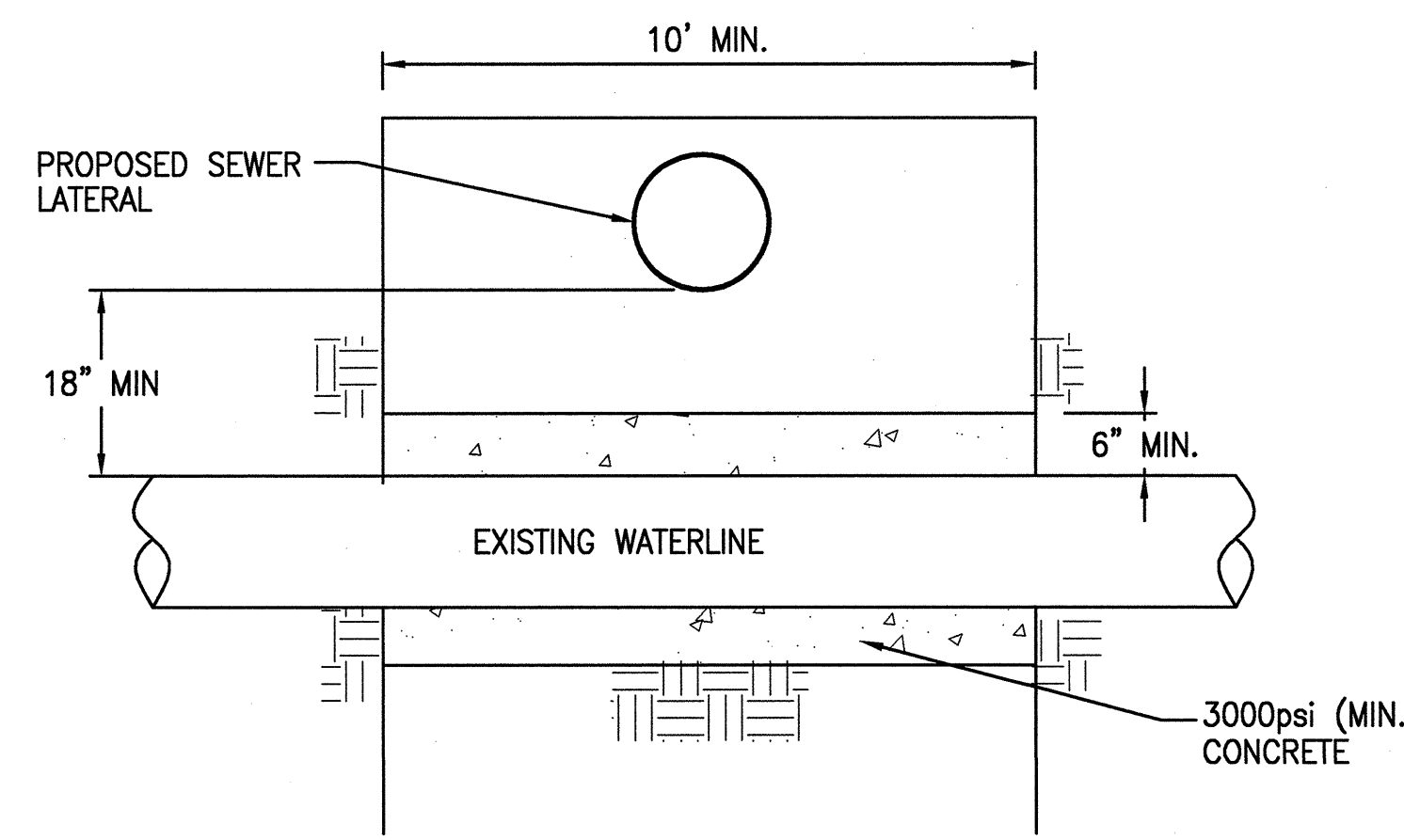


32 TYPICAL ROOF DRAIN DETAIL
C103 C503 SCALE: N.T.S.



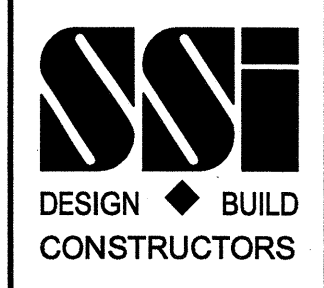
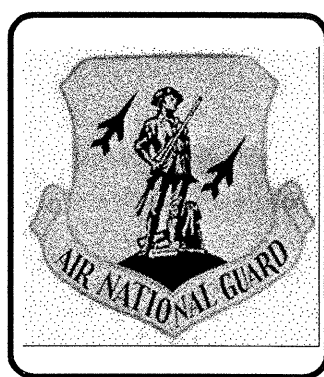
NOTES:
1. INLET GRATE & FRAME SHALL BE CAST IRON IN-SLAB FRAME WITH BOLTED DOWN COVER (300LB MIN. WEIGHT).
2. GRATING AND TOP SHALL BE SUITABLE FOR HS-20 LOADING.
3. STRUCTURE MAY BE CAST-IN-PLACE OR PRECAST.

33 GRATE INLET
C103 C503 SCALE: N.T.S.



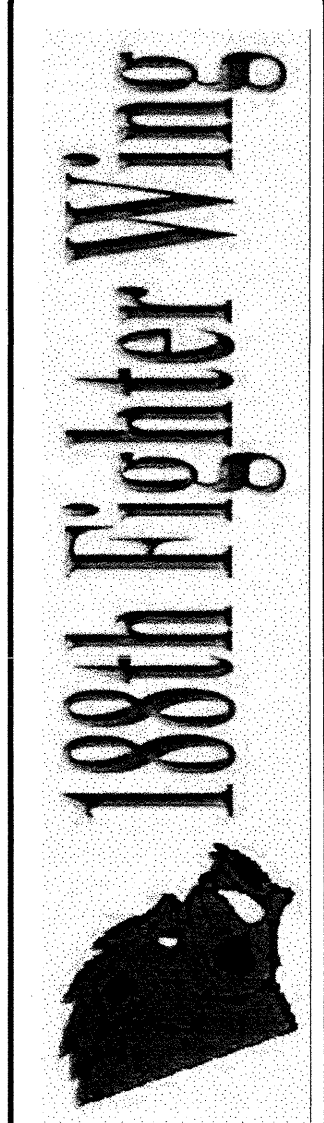
NOTE: ANY WATER LINE WITHIN 18" OF SEWER LINE SHALL BE ENCASED AS SHOWN

34 CONCRETE ENCASEMENT
C102 C503 SCALE: N.T.S.



POND
Architects • Engineers • Planners
3500 Parkway Lane
Suite 600
Norcross, Ga. 30092
Phone 678-336-7740
Fax 678-336-7744
Web www.pondco.com

Copyright 2007 by Pond & Company. All rights reserved. This document is the property of Pond & Company. No part of this document may be reproduced, stored in a retrieval system, or transmitted in any form or by any means, electronic, mechanical, photocopying, recording, or by any information storage and retrieval system, without the prior written permission of Pond & Company.



NO.	ISSUED FOR CONSTRUCTION	DATE	BY
0		11/14/07	

Designed by:	Checked by:	Rev.
Drawn by:	AS	0
Reviewed by:	JPR	
Date:	11/14/07	

COMPOSITE A-10 AIRCRAFT MAINTENANCE FACILITY
ARKANSAS AIR NATIONAL GUARD
FT. SMITH, ARKANSAS
CNY/SITE PACKAGE
CONSTRUCTION DETAILS

Sheet reference number:
C-503
Sheet 11 of 12