

POND
Constructors
Architect • Engineer • Planner
3500 Parkway Lane
Norcross, Ga. 30092
Phone 678-332-7740
Fax 678-332-7741
Web www.pondcs.com

Copyright 2008 by Pond & Company.
All rights reserved. This document is the property of Pond & Company. It is to be used only for the specific project identified or referred to herein and is not to be used on other projects, in whole or in part, except by the express written agreement of Pond & Company.

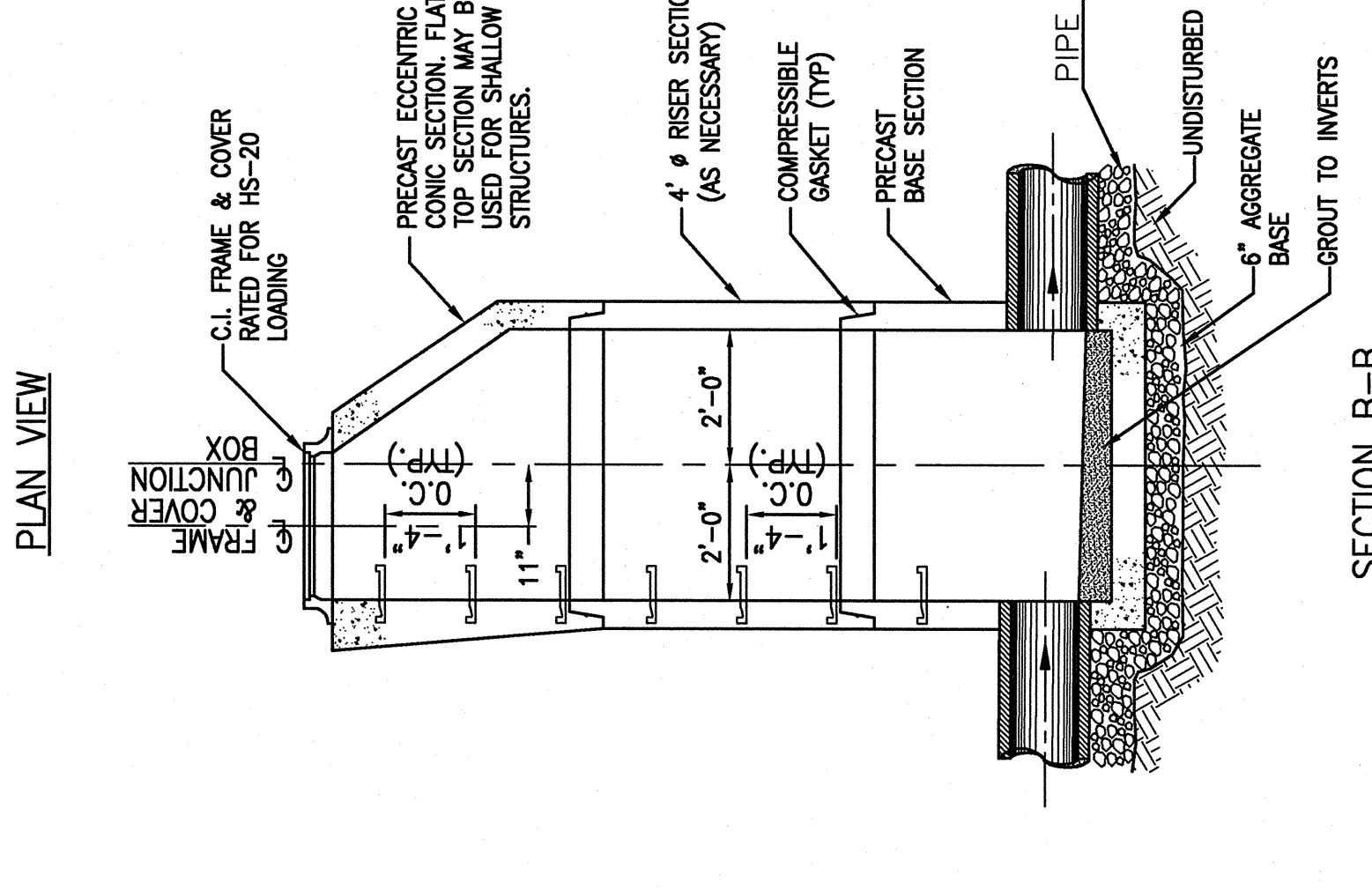
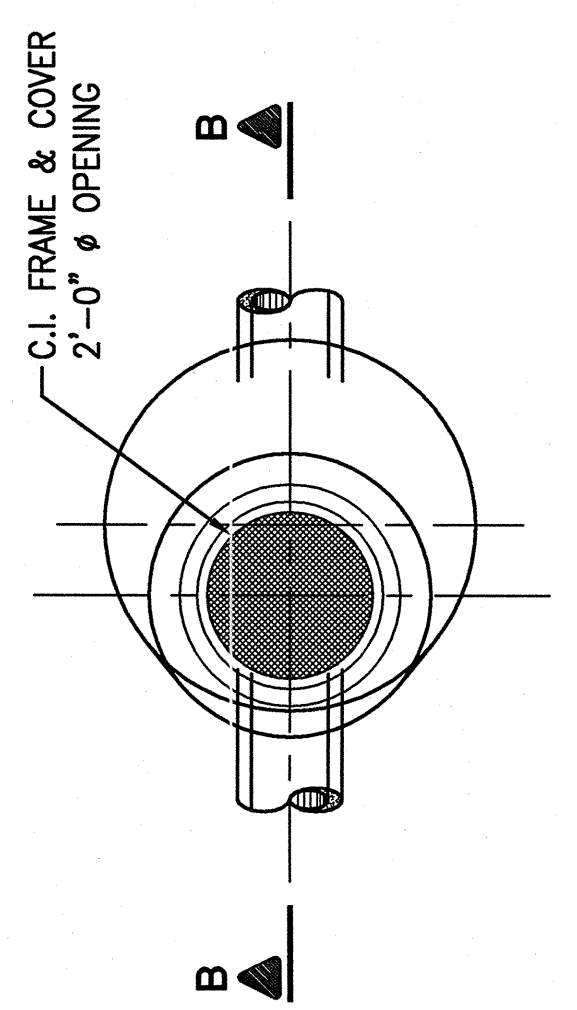


Rev.	Description	Date	Appr.
0			
1	ISSUED FOR CONSTRUCTION	02/09/08	
2	ADDED EQUIPMENT PAD DETAIL	02/21/08	

Designed by:	
Drawn by:	JRP
Checked by:	JRP
Reviewed by:	
Date:	

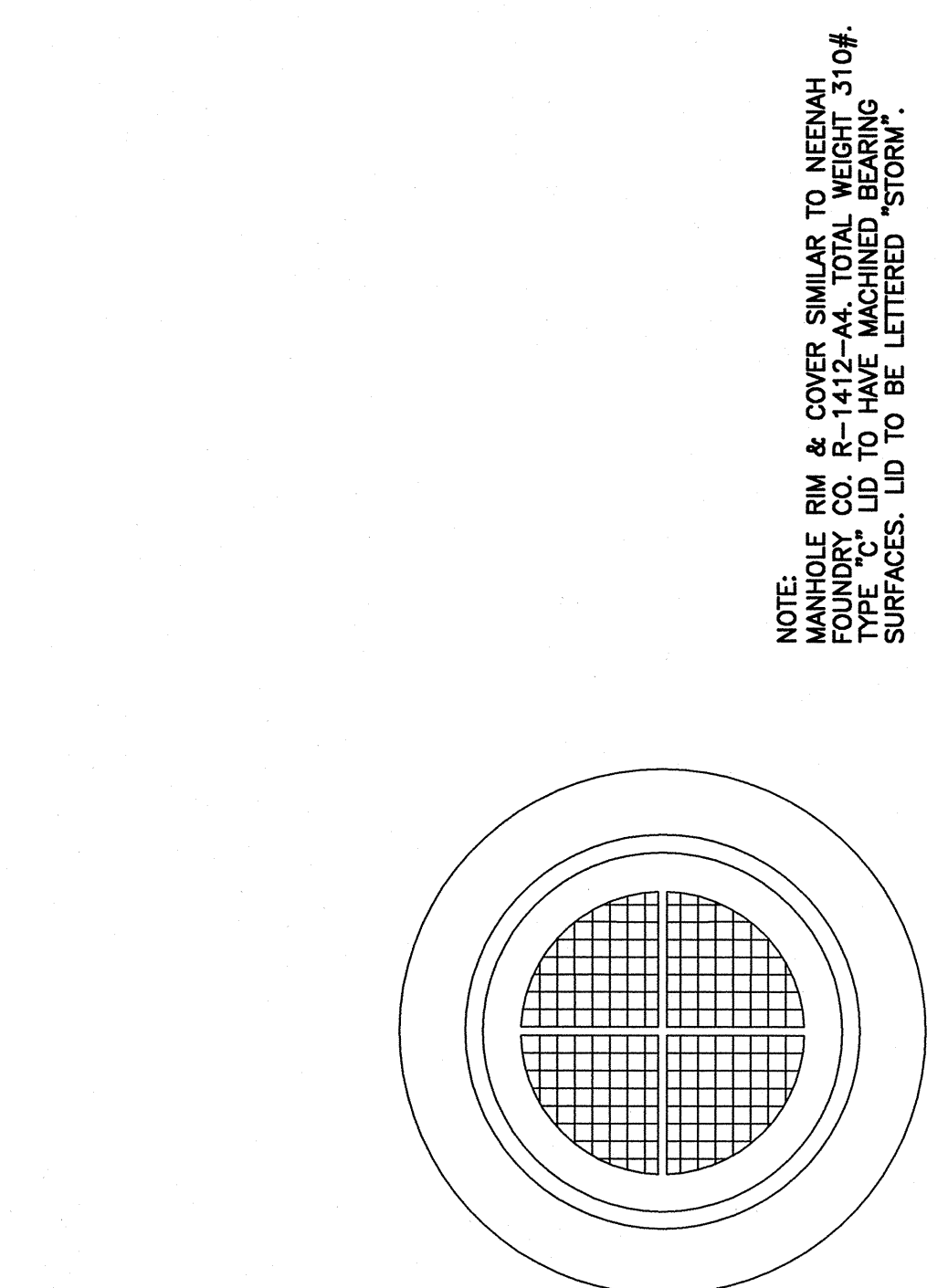
ARIZONA AIR NATIONAL GUARD
924 SULLY BLVD
FT. SMITH, ARIZONA
CONSTRUCTION DETAILS

Sheet reference number:
C-503
of 1
Sheet11



30 STORM SEWER MANHOLE
SCALE: N.T.S.

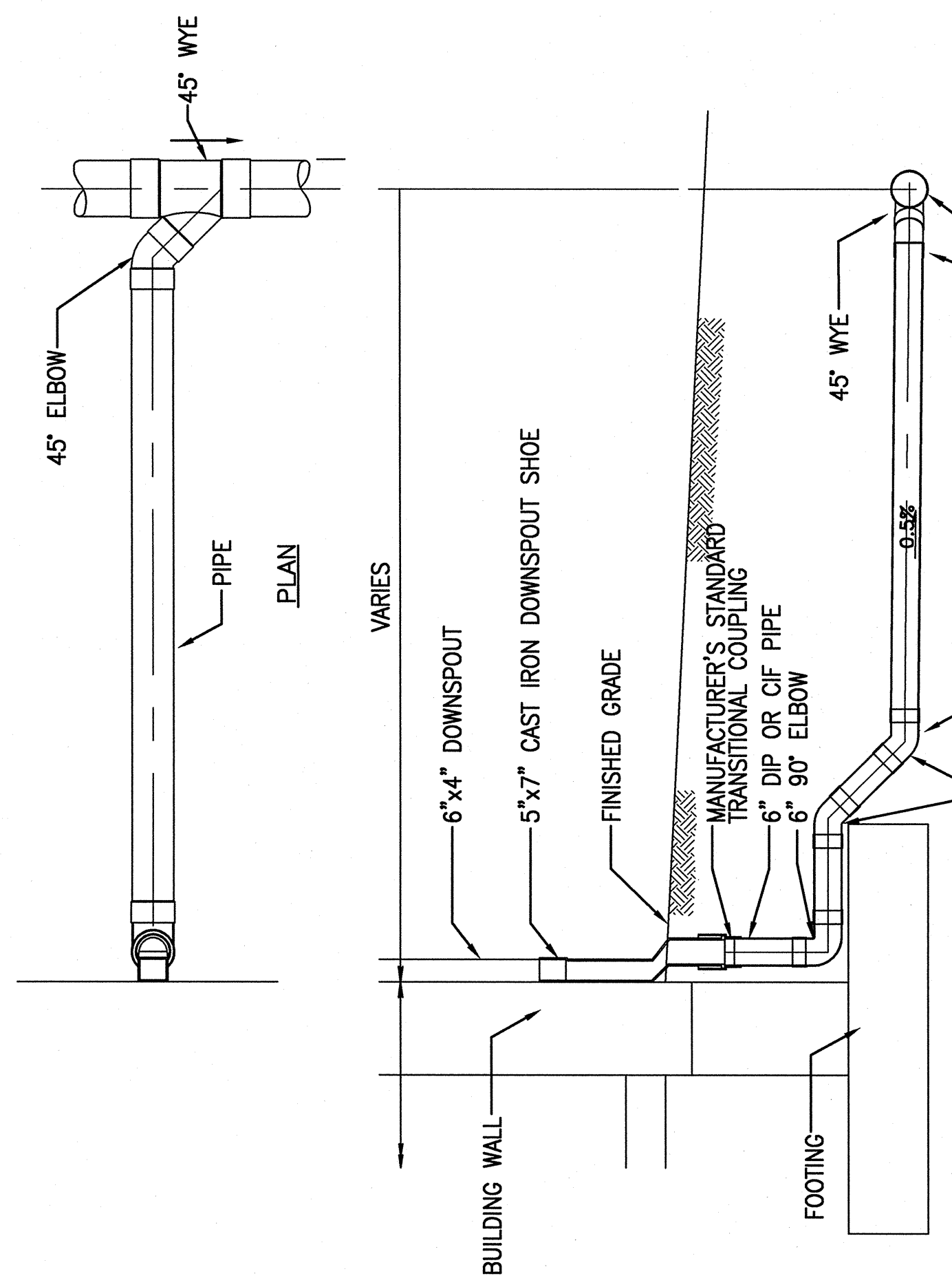
30 STORM SEWER MANHOLE
SCALE: N.T.S.



31 STANDARD CONSTRUCTION DETAILS FOR STORM MANHOLE RING AND COVER
SCALE: N.T.S.

31 STANDARD CONSTRUCTION DETAILS FOR STORM MANHOLE RING AND COVER
SCALE: N.T.S.

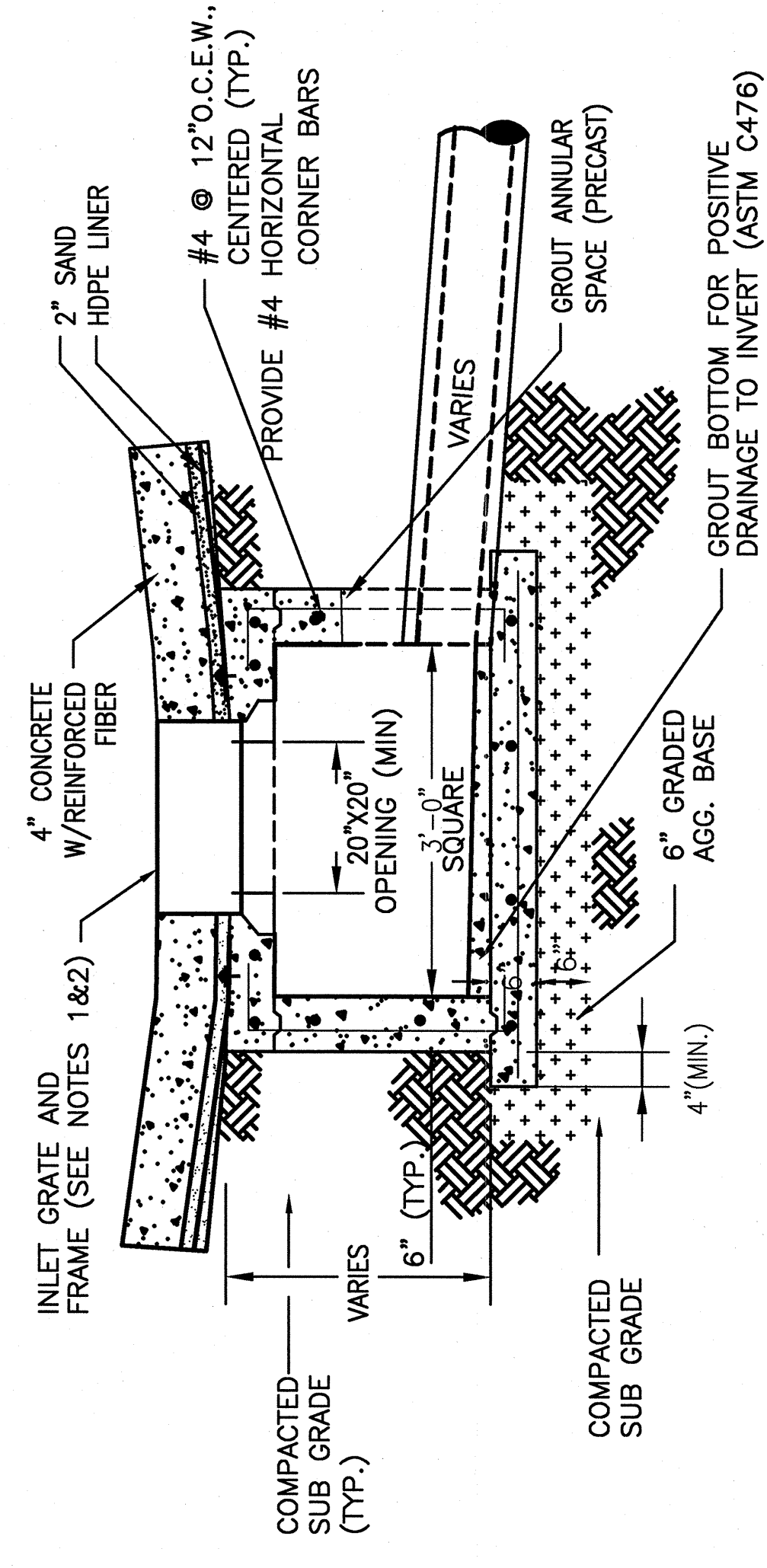
NOTE: MANHOLE RIM & COVER SIMILAR TO NEARBY 10' OF TYPE "C" LID TO HAVE MACHINED BEARING SURFACES. LID TO BE LETTERED "STORM".



32 TYPICAL ROOF DRAIN DETAIL
SCALE: N.T.S.

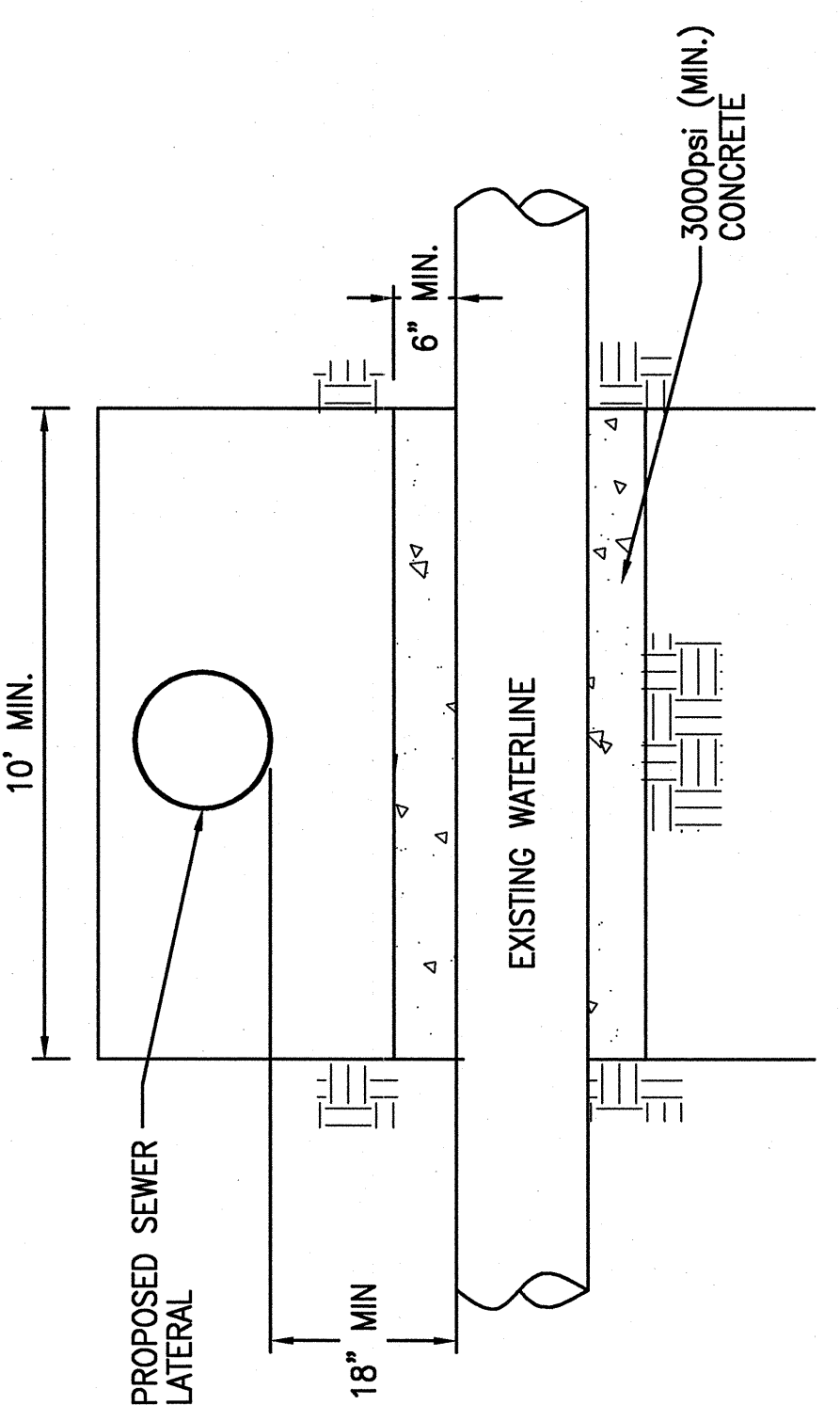
32 TYPICAL ROOF DRAIN DETAIL
SCALE: N.T.S.

NOTE: SEE GRADING AND DRAINAGE PLAN (C-103) FOR PIPE SIZES.



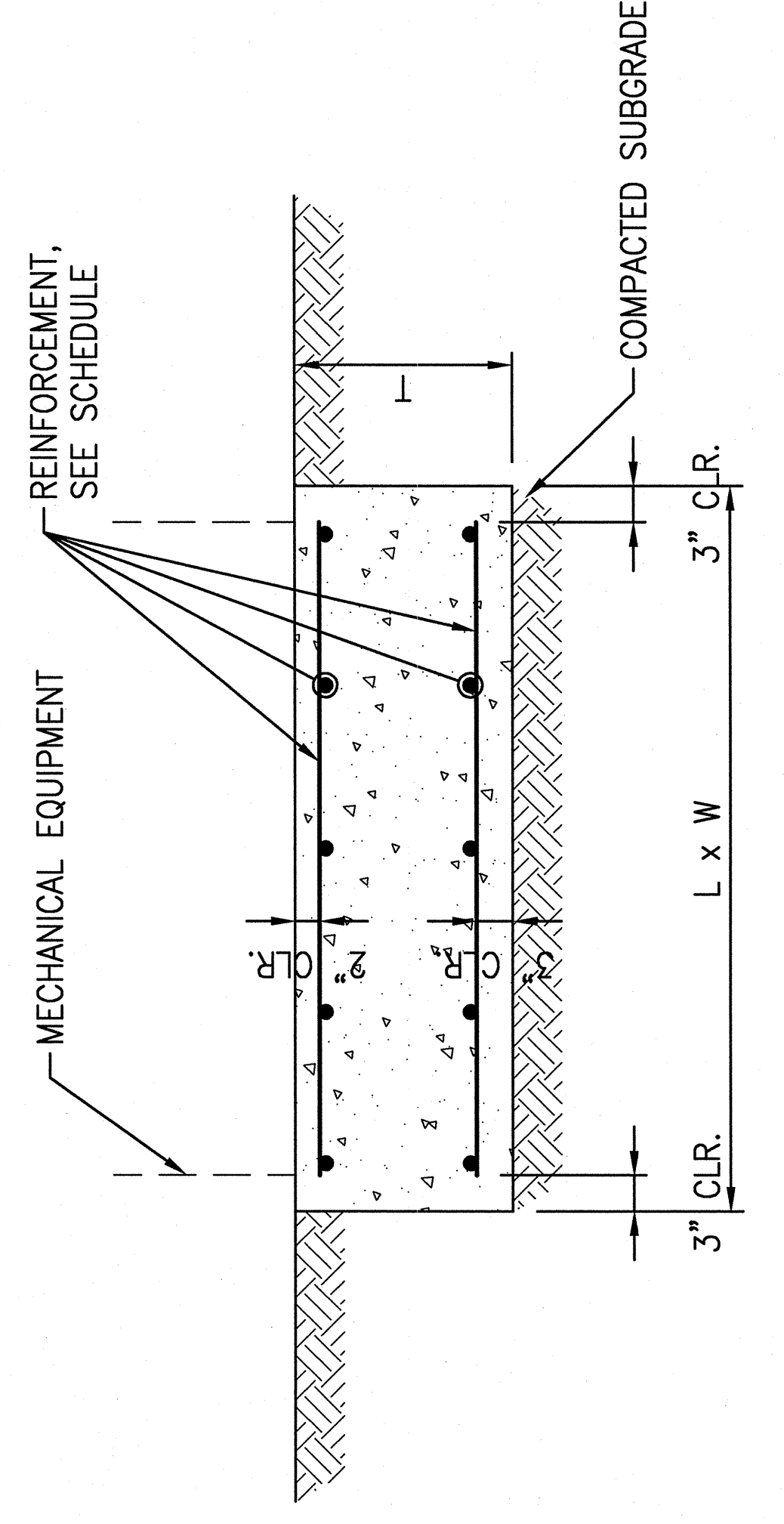
- NOTES:
1. INLET GRATE & FRAME SHALL BE CAST IRON IN-SLAB FRAME WITH BOLTED DOWN COVER (300LB MIN. WEIGHT).
 2. GRATING AND TOP SHALL BE SUITABLE FOR HS-20 LOADING.
 3. STRUCTURE MAY BE CAST-IN-PLACE OR PRECAST.

33 GRATE INLET
SCALE: N.T.S.



- NOTE: ANY WATER LINE WITHIN 18" OF SEWER LINE SHALL BE ENCASED AS SHOWN

34 CONCRETE ENCASEMENT
SCALE: N.T.S.



35 TYPICAL EQUIPMENT PAD DETAIL
SCALE: N.T.S.

