

PVC LINE

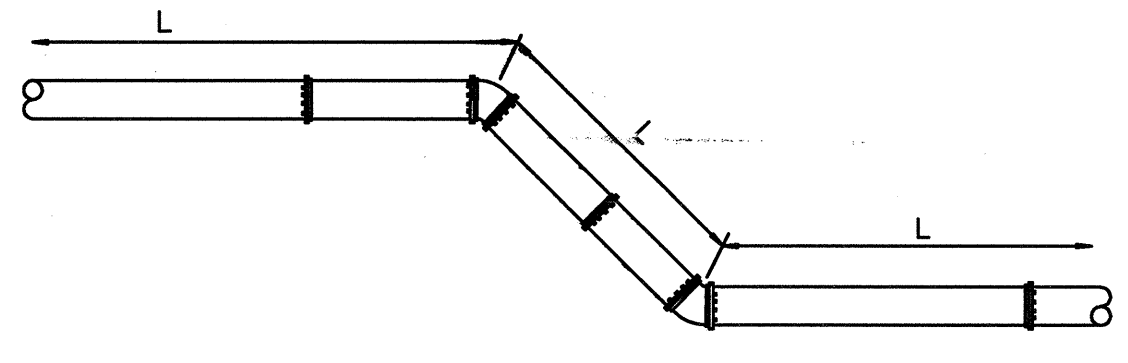
PIPE DIA.	BEND ANGLE		
	11 1/2"	22 1/2"	90°
4	3	6	29
6	4	8	41
8	5	11	53
10	6	13	64
12	7	15	75

DUCTILE IRON LINE

PIPE DIA.	BEND ANGLE		
	11 1/2"	22 1/2"	90°
4	2	4	20
6	3	6	28
8	4	7	36
10	4	9	43
12	5	10	51
16	6	13	65
20	8	16	79
24	9	18	92

NOTES:
 1. LENGTH OF RESTRAINT SHOWN IS IN FEET.
 2. WHERE LINES CONSIST OF BOTH DUCTILE IRON AND PVC WITHIN THE LIMITS OF REQUIRED RESTRAINT, LIMITS FOR PVC SHALL APPLY.

STANDARD CONSTRUCTION DETAILS
HORIZONTAL BEND RESTRAINT



PVC LINE

PIPE DIA.	BEND ANGLE		
	11 1/2"	22 1/2"	90°
4	5	10	22
6	7	15	30
8	9	19	40
10	11	23	48
12	13	27	56

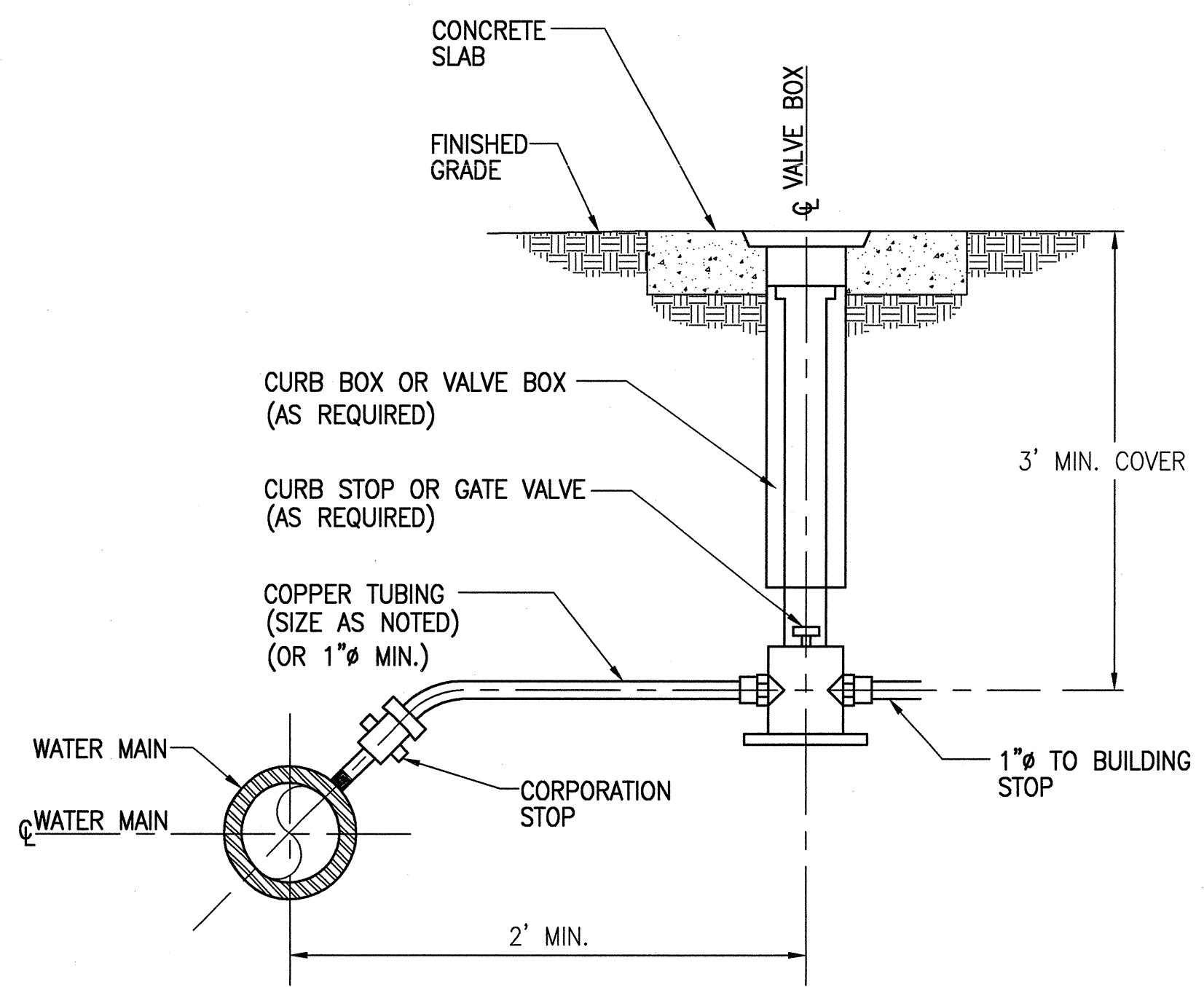
DUCTILE IRON LINE

PIPE DIA.	BEND ANGLE		
	11 1/2"	22 1/2"	90°
4	3	6	28
6	4	8	40
8	4	10	52
10	5	12	62
12	6	15	73
16	7	19	94
20	11	23	114
24	13	26	132

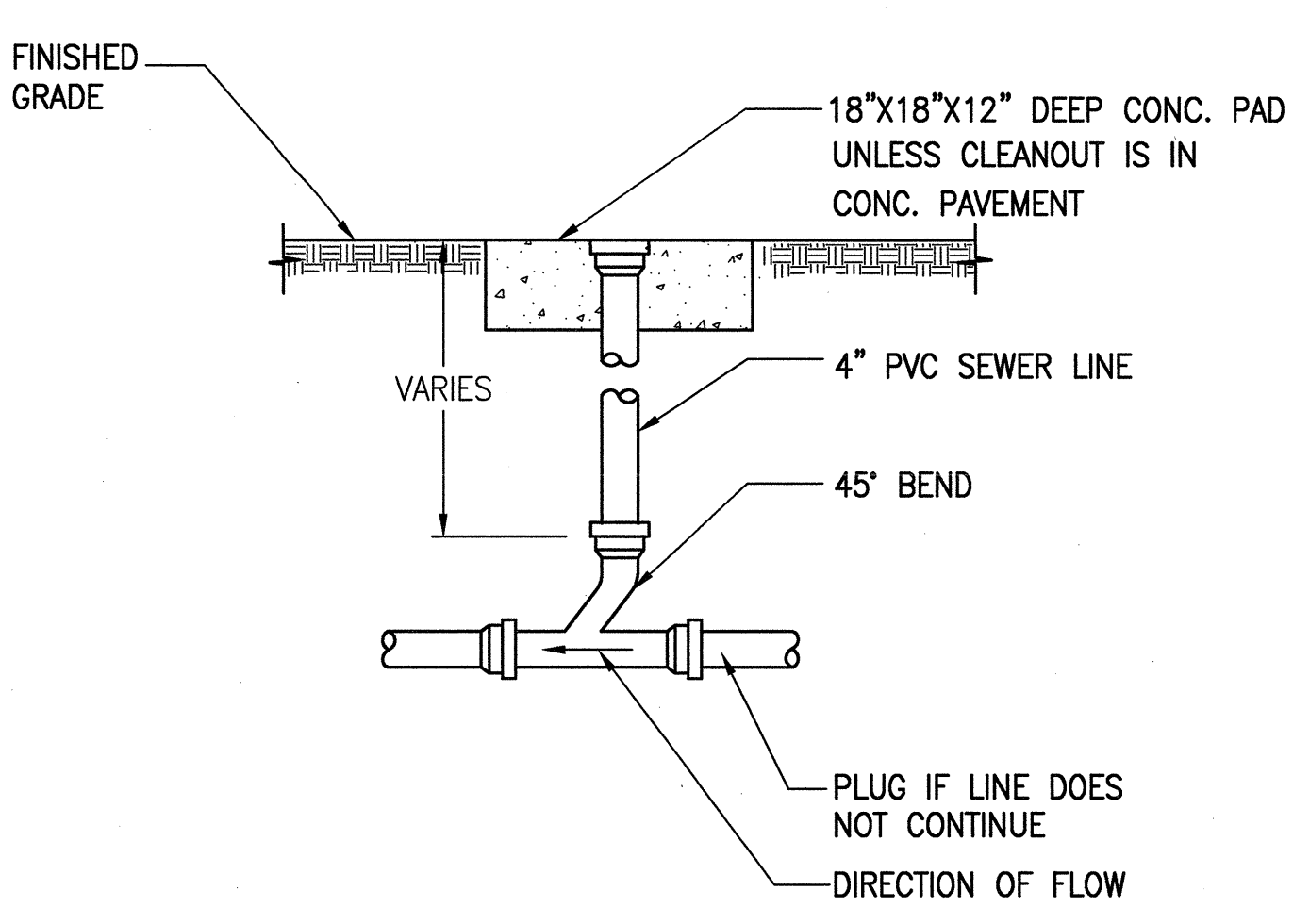
NOTES:
 1. LENGTH OF RESTRAINT SHOWN IS IN FEET.
 2. WHERE LINES CONSIST OF BOTH DUCTILE IRON AND PVC WITHIN THE LIMITS OF REQUIRED RESTRAINT, LIMITS FOR PVC SHALL APPLY.

STANDARD CONSTRUCTION DETAILS
VERTICAL BEND RESTRAINT

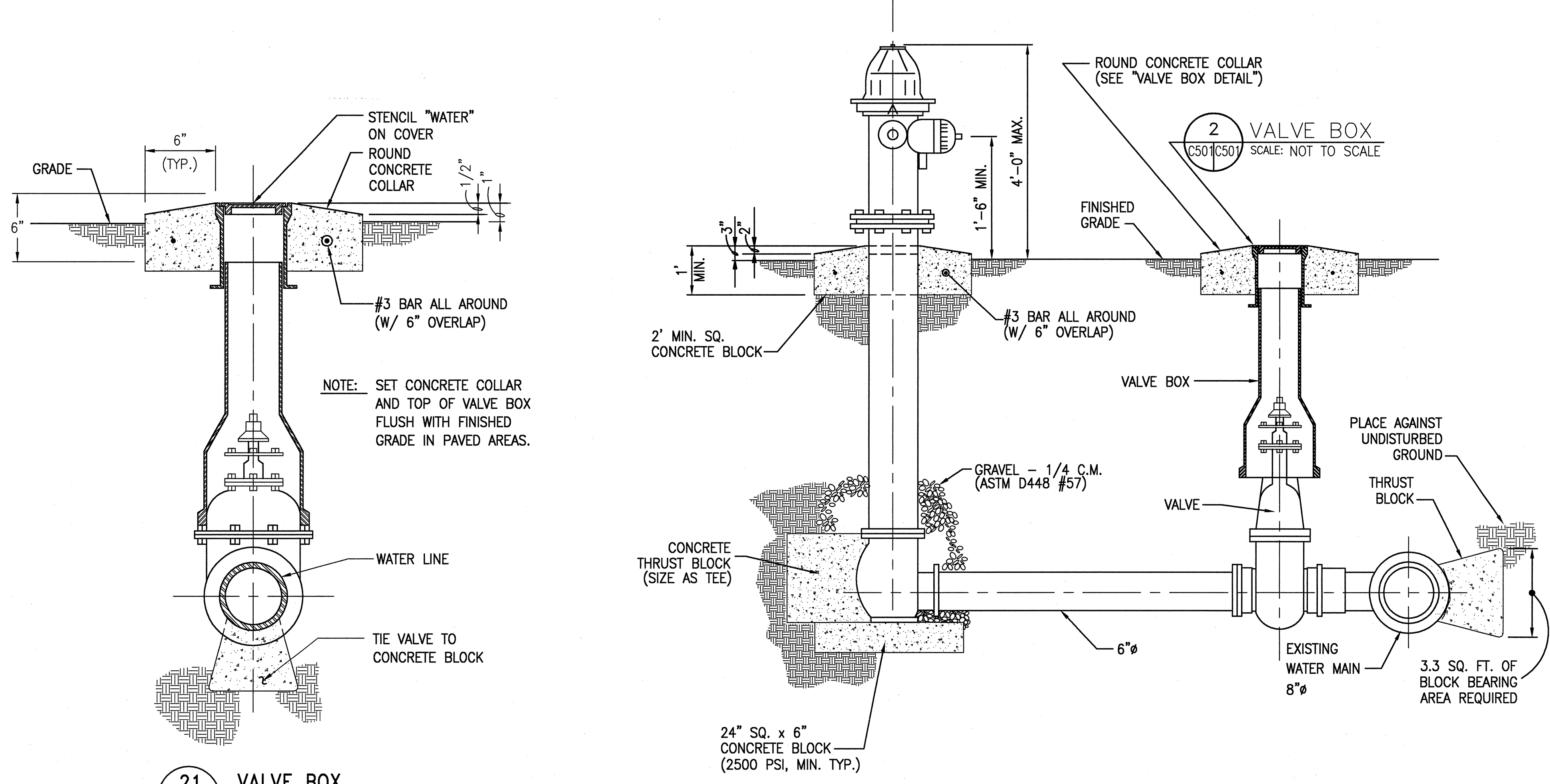
20 STANDARD CONSTRUCTION DETAILS
HORIZONTAL AND VERTICAL RESTRAINTS
SCALE: N.T.S.



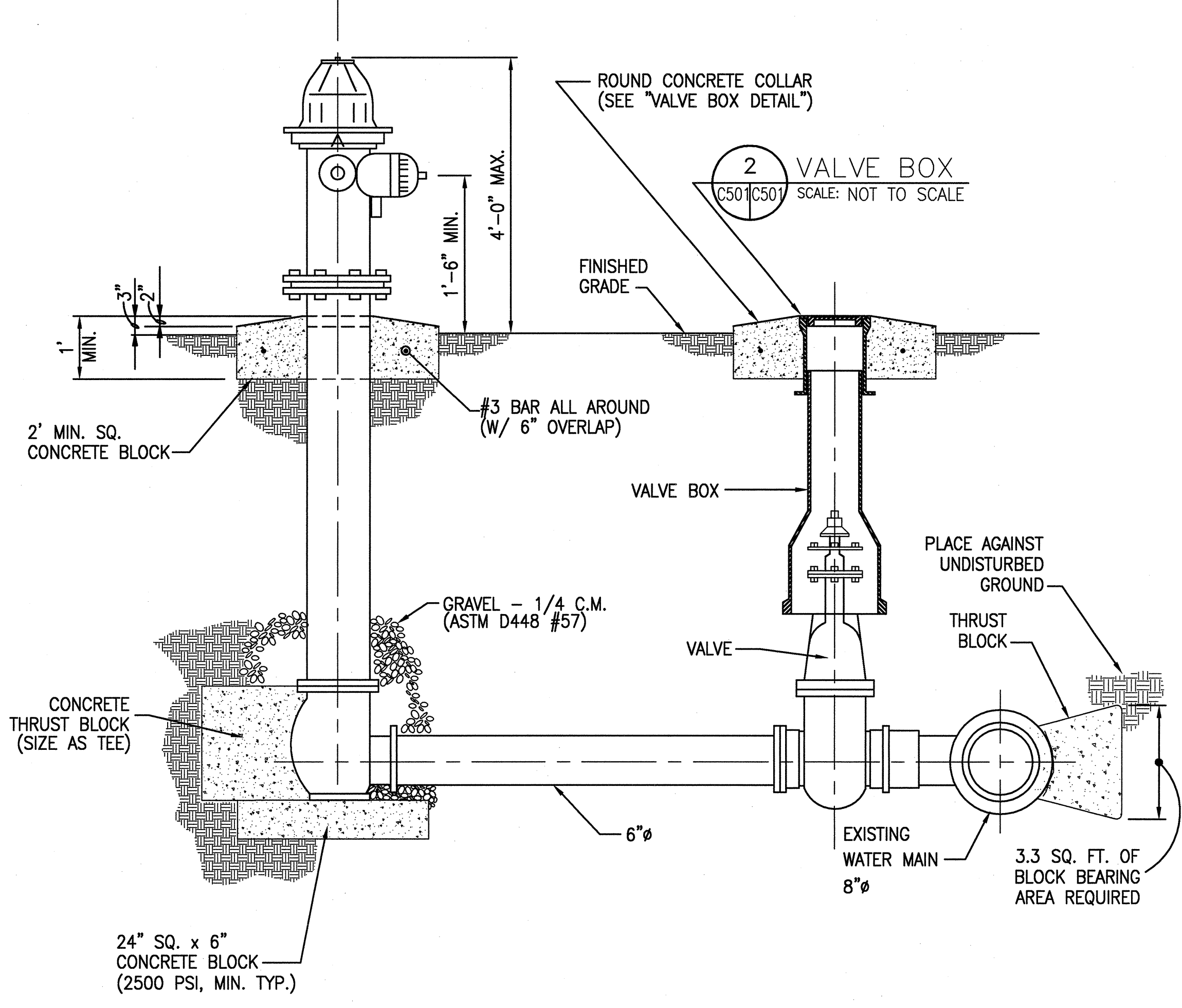
23 WATER SERVICE CONNECTION
SCALE: N.T.S.



24 CLEANOUT
SCALE: N.T.S.



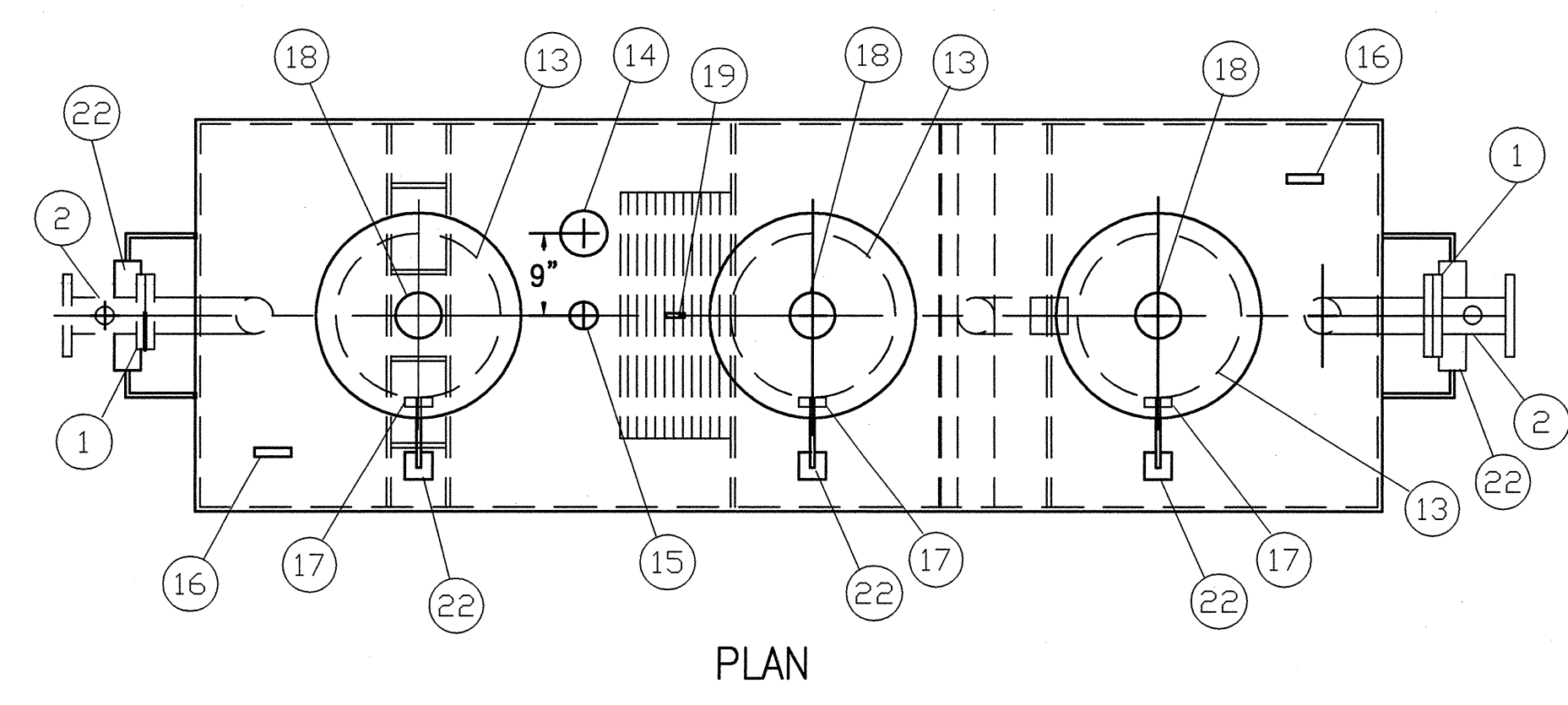
21 VALVE BOX
SCALE: N.T.S.



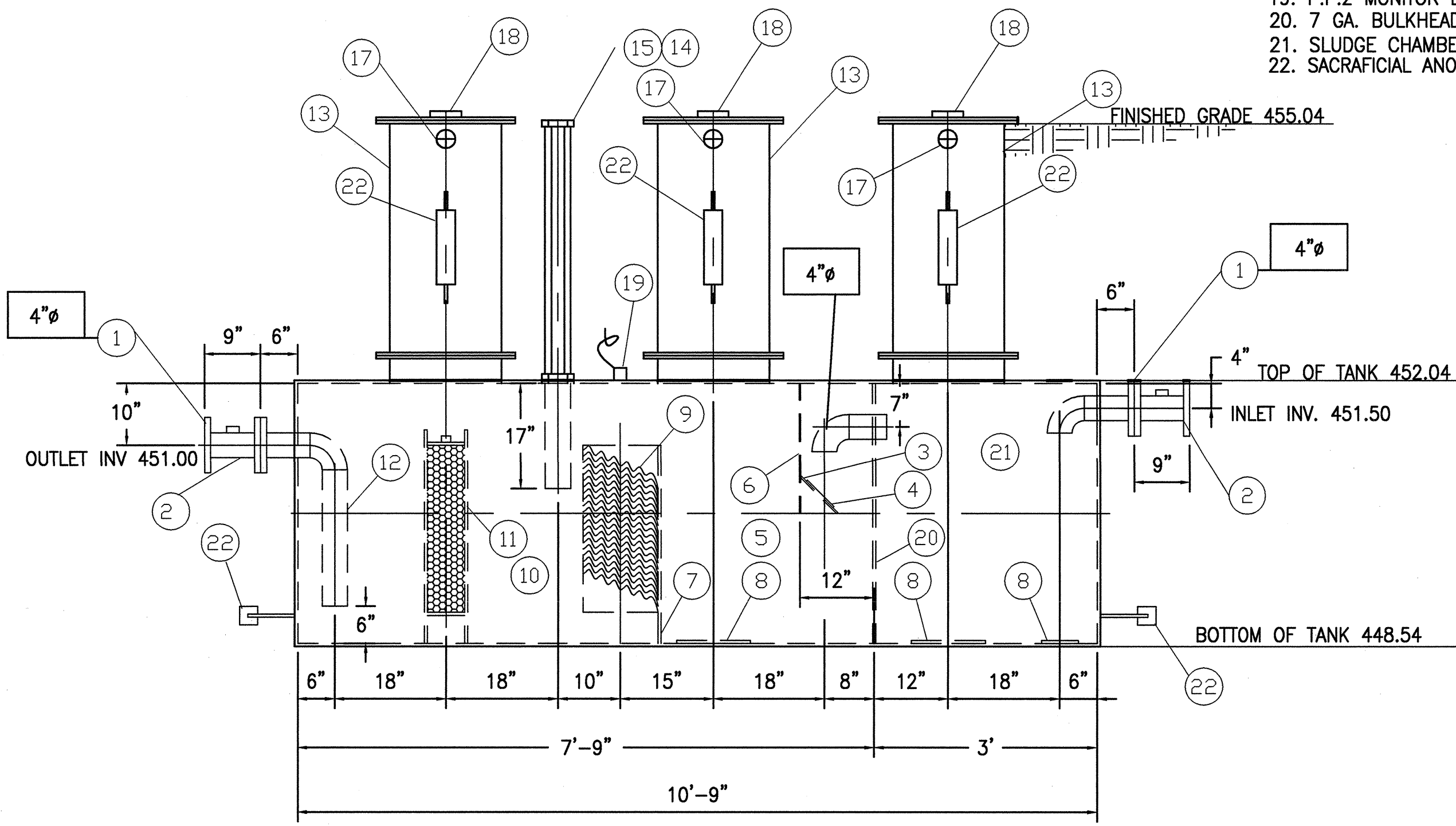
22 FIRE HYDRANT
SCALE: N.T.S.

GENERAL SPECIFICATIONS
 NO. REQ'D: (1)
 CAPACITY: 550 GALLON
 TYPE: HTC, STIP3, SINGLE WALL, "G" SERIES
 MATERIAL: MILD CARBON STEEL
 FLOW RATE: 55 GPM
 GAUGE:
 SHELL- 7 GA.
 HEADS- 7 GA.
 SURFACE PREP:
 SSPC NO.6 BLAST ALL EXTERIOR SURFACES
 COATING: MATERIAL THICKNESS
 EXTERIOR- POLYURETHANE (15 MILS)
 INTERIOR- NONE
 CONSTRUCTION: LAP FIT & WELD ALL EXTERIOR SEAMS
 OPERATING PRESSURE: ATMOSPHERIC

NOTES:
 1. ALL VENT PIPING BY INSTALLER



PLAN



ELEVATION

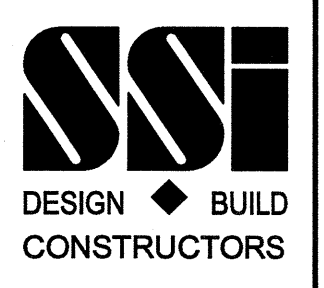
- PROVIDED EQUIPMENT
- 150# R.F.S.O. FLANGE
 - ISOLATION SPOOL PIECE WITH 2" NPT FOR VENT
 - VELOCITY HEAD DIFFUSION BAFFLE
 - WEAR PLATE
 - SEDIMENT CHAMBER
 - UNDERFLOW BAFFLE
 - SLUDGE BAFFLE
 - STRIKER PLATES
 - PARALLEL CORRUGATED PLATE COALESCER
 - OIL/WATER SEPARATOR CHAMBER
 - 6" THICK COALESCER MATERIAL INSTALLED W/ PULL ROD SHIPPED LOOSE
 - OUTLET DOWNCOMER
 - 18" MANWAY WITH BOLT-ON EXTENSION SHIPPED LOOSE
 - 5" FTG. W/ 5" X 4" NYLON BUSHING FTG. FOR OIL PUMP-OUT W/ INTERNAL PIPE INSTALLED & RISER PIPE SHIPPED LOOSE
 - 3" FTG. W/ 3" X 2" NYLON BUSHING FTG. FOR LEVEL SENSOR WITH RISER PIPE SHIPPED LOOSE
 - LIFTING LUG
 - 3" FTG. W/ 3" X 2" NYLON BUSHING FTG. FOR VENT TYP. ALL MANWAYS
 - 5" FTG. W/ 5" X 4" NYLON BUSHING FTG. FOR GAUGE WITH PLUG - TYP. ALL MANWAYS
 - P.P.2 MONITOR LUG
 - 7 GA. BULKHEAD
 - SLUDGE CHAMBER
 - SACRIFICIAL ANODES PER STI-P3 SPECS

25 OIL/WATER SEPARATOR
SCALE: N.T.S.

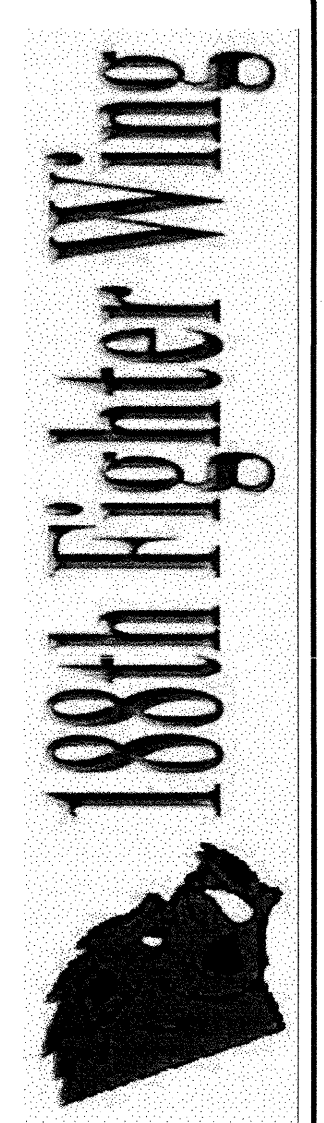
550 GALLON OIL WATER SEPARATOR
HTC,STIP3,SINGLE WALL,"G" SERIES

1/2"=1'-0" 5-24-05

00550P3SWHTCC



Copyright 2007 by Pond & Company. This drawing is the property of Pond & Company. It is to be used only for the specific project identified on this drawing. It is not to be used on other projects, in whole or part, except by the express written agreement of Pond & Company.



DATE	DESCRIPTION	BY	APP'D
11/14/07	ISSUED FOR CONSTRUCTION	RMS	APC

Designed by:	Drawn by:	Checked by:	Reviewed by:	Date:	Scale:
	RMS	APC		11/14/07	0

COMPOSITE A-10 AIRCRAFT MAINTENANCE FACILITY
 AIRCRAFT MAINTENANCE FACILITY
 CIVIL SITE PACKAGE
 CONSTRUCTION DETAILS

Sheet reference number:
C-502
 Sheet 10 of 12