



POND
Architect • Engineer • Planner
3500 Parkway Lane
Suite 600
Columbus, GA 31906
Phone: 678-336-7740
Fax: 678-336-7744
Web: www.pondco.com

Copyright 2008 by Pond & Company. All rights reserved. This document is the property of Pond & Company. It is to be used only for the specific project identified or referred to herein and is not to be used on other projects, in whole or in part, except by the express written agreement of Pond & Company.

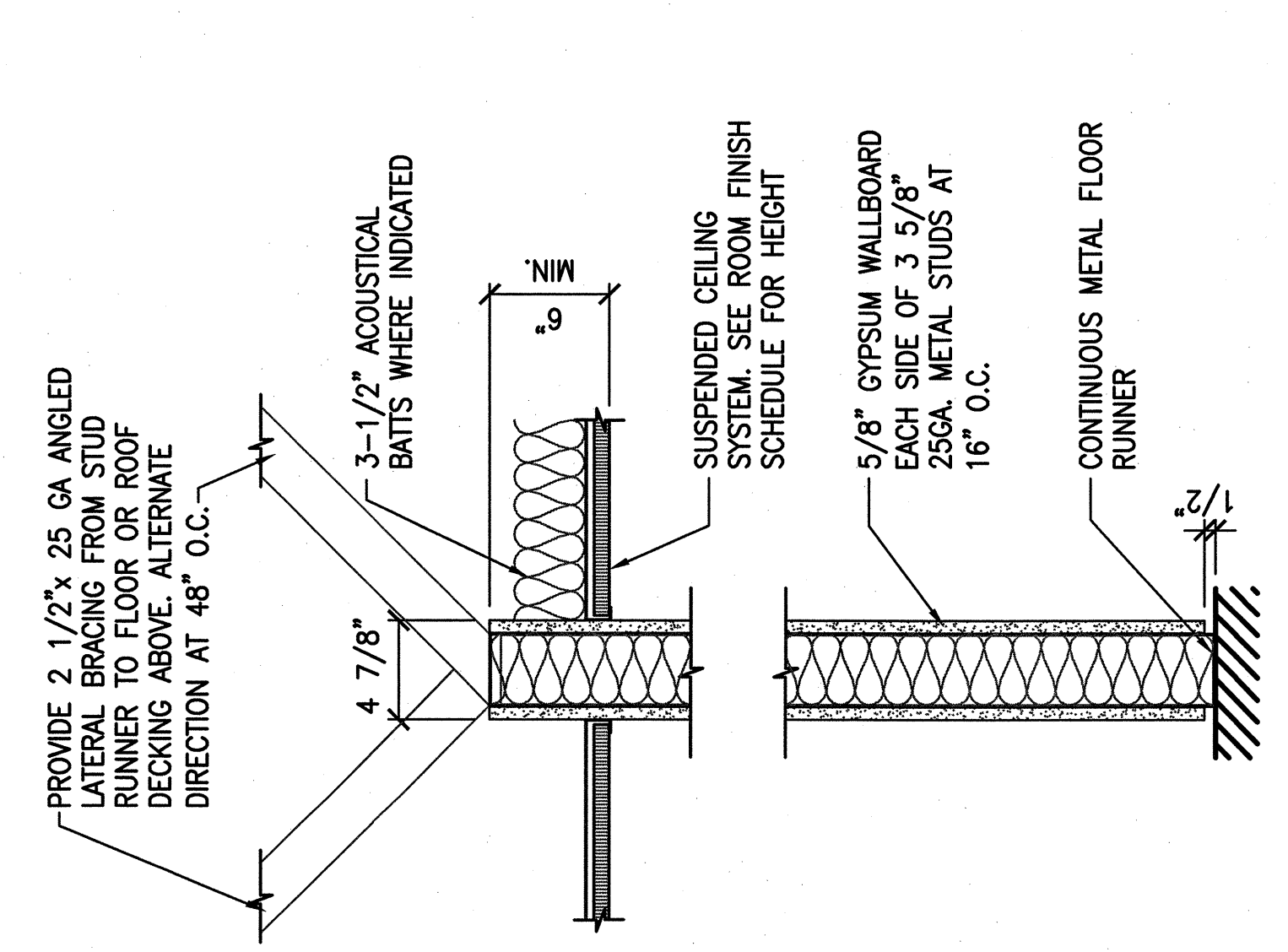
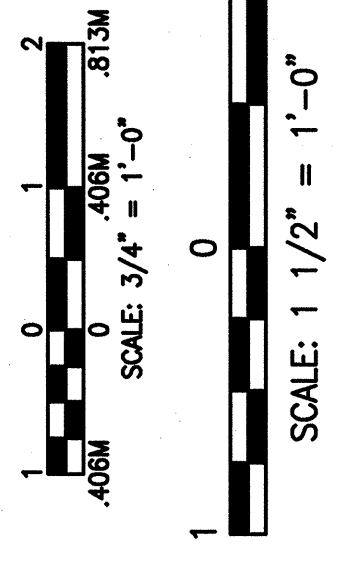
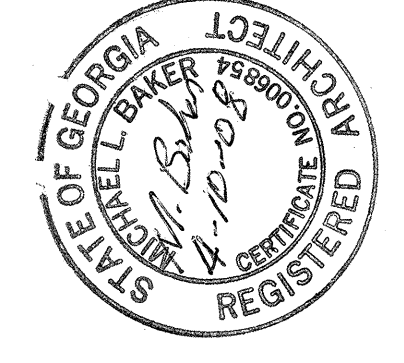
188th Fighter Wing

Mark	Description	Date	Appr.
0	ISSUED FOR CONSTRUCTION	4/11/08	

Designed by:	SRG
Drawn by:	SRG
Checked by:	SRG
Reviewed by:	KES
Date:	4-11-08

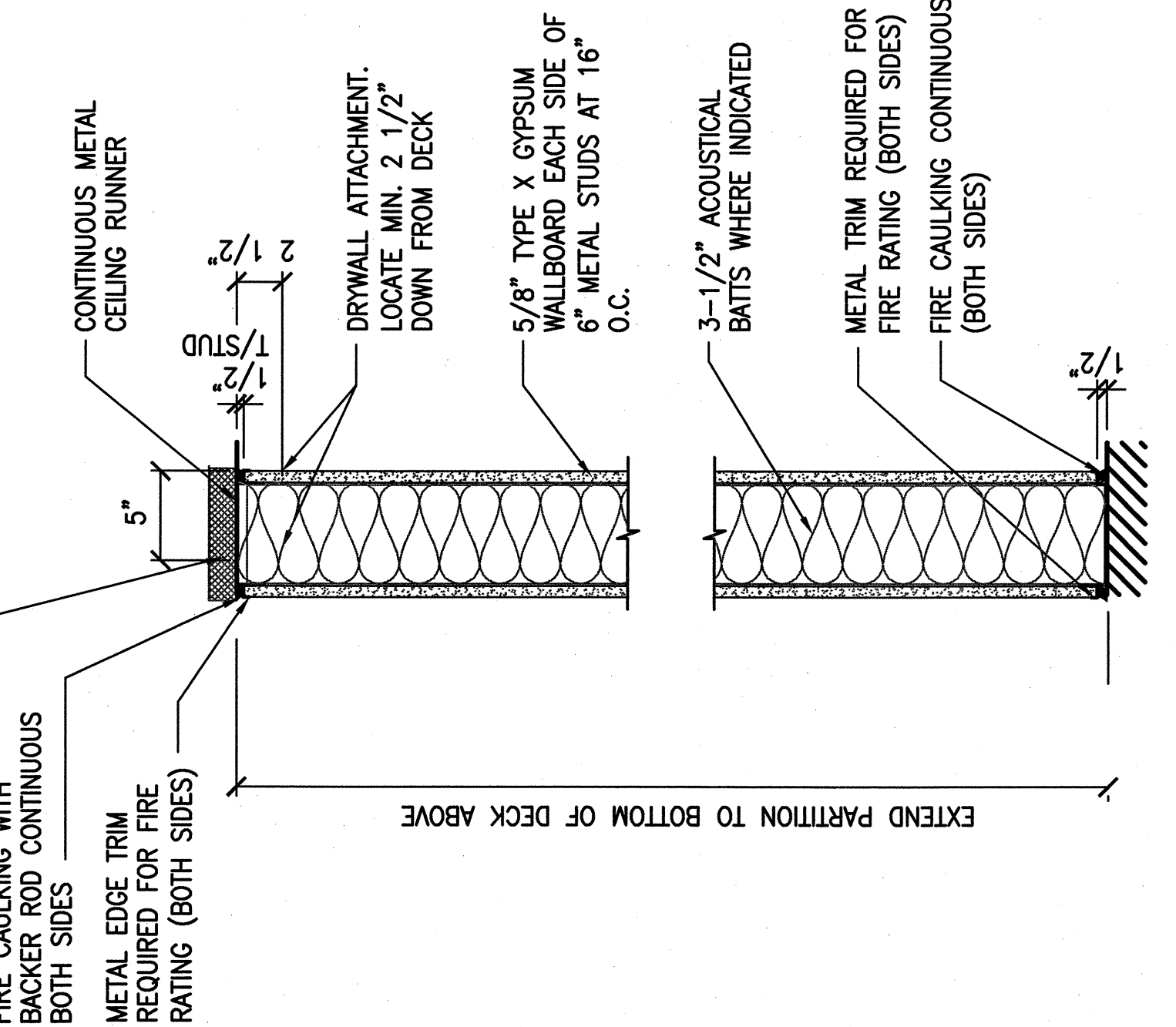
COMPOSITE A-10 AIRCRAFT MAINTENANCE FACILITY
ARKANSAS AIR NATIONAL GUARD
FT. SMITH, ARKANSAS
PARTITION TYPES
AND DETAILS

Sheet reference number:
A-300
Sheet 21 of 69



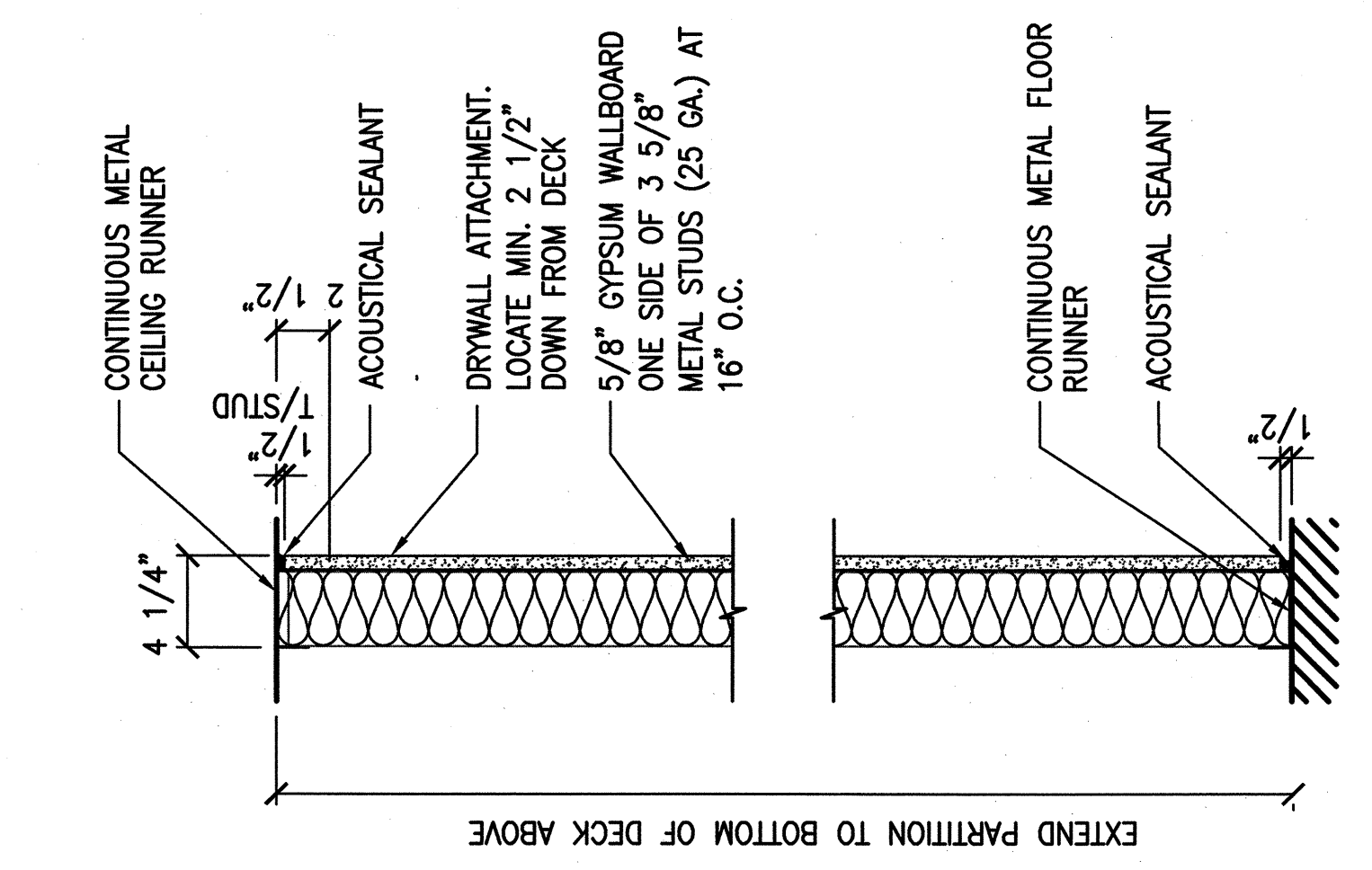
INTERIOR PARTITION TYPE 1
SCALE: 1 1/2"=1'-0"

- 1 ACoustical BATT NOT REQUIRED
- 1.1 PROVIDE ACoustical BATT



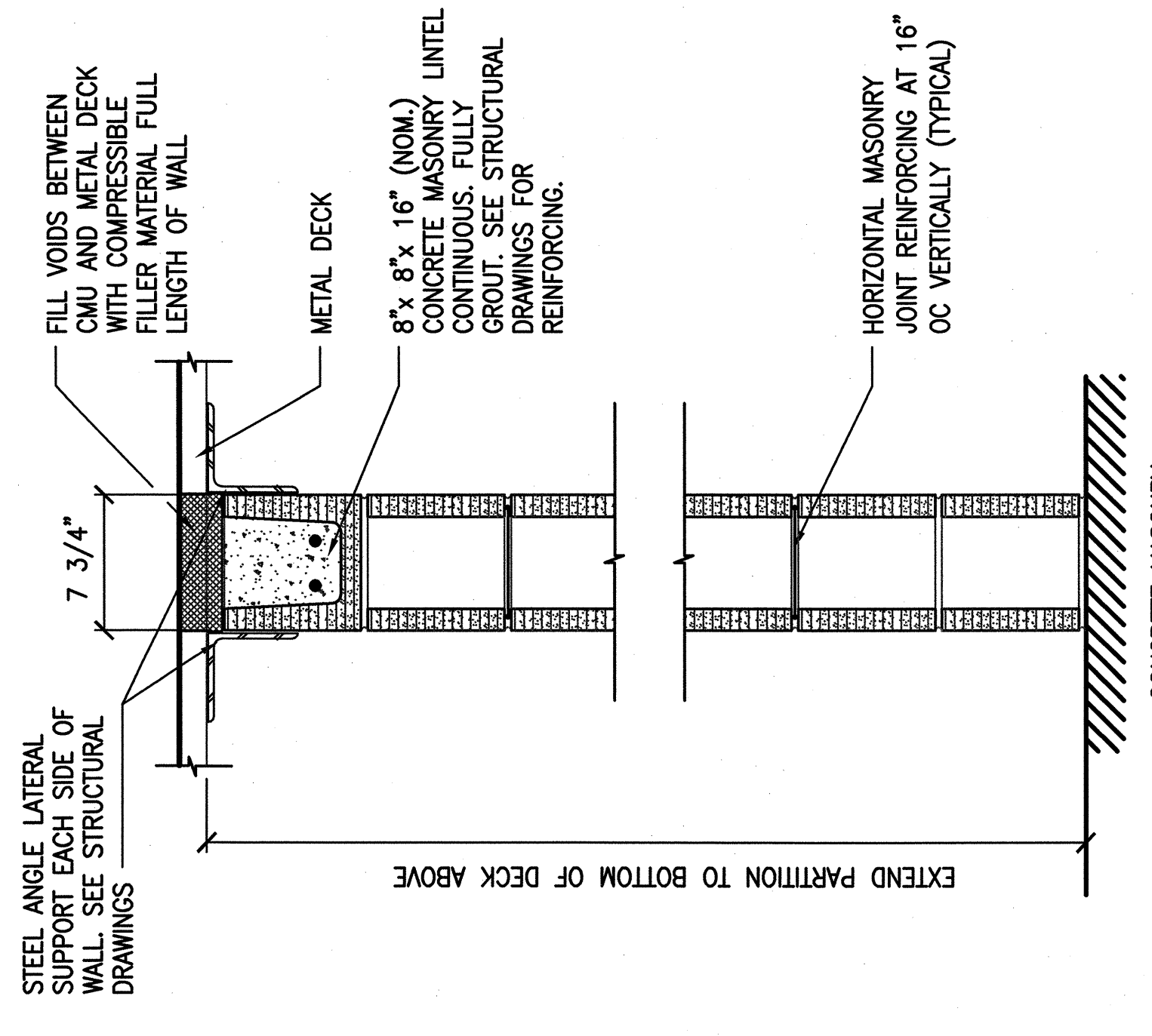
INTERIOR PARTITION TYPE 2
SCALE: 1 1/2"=1'-0"

- 2



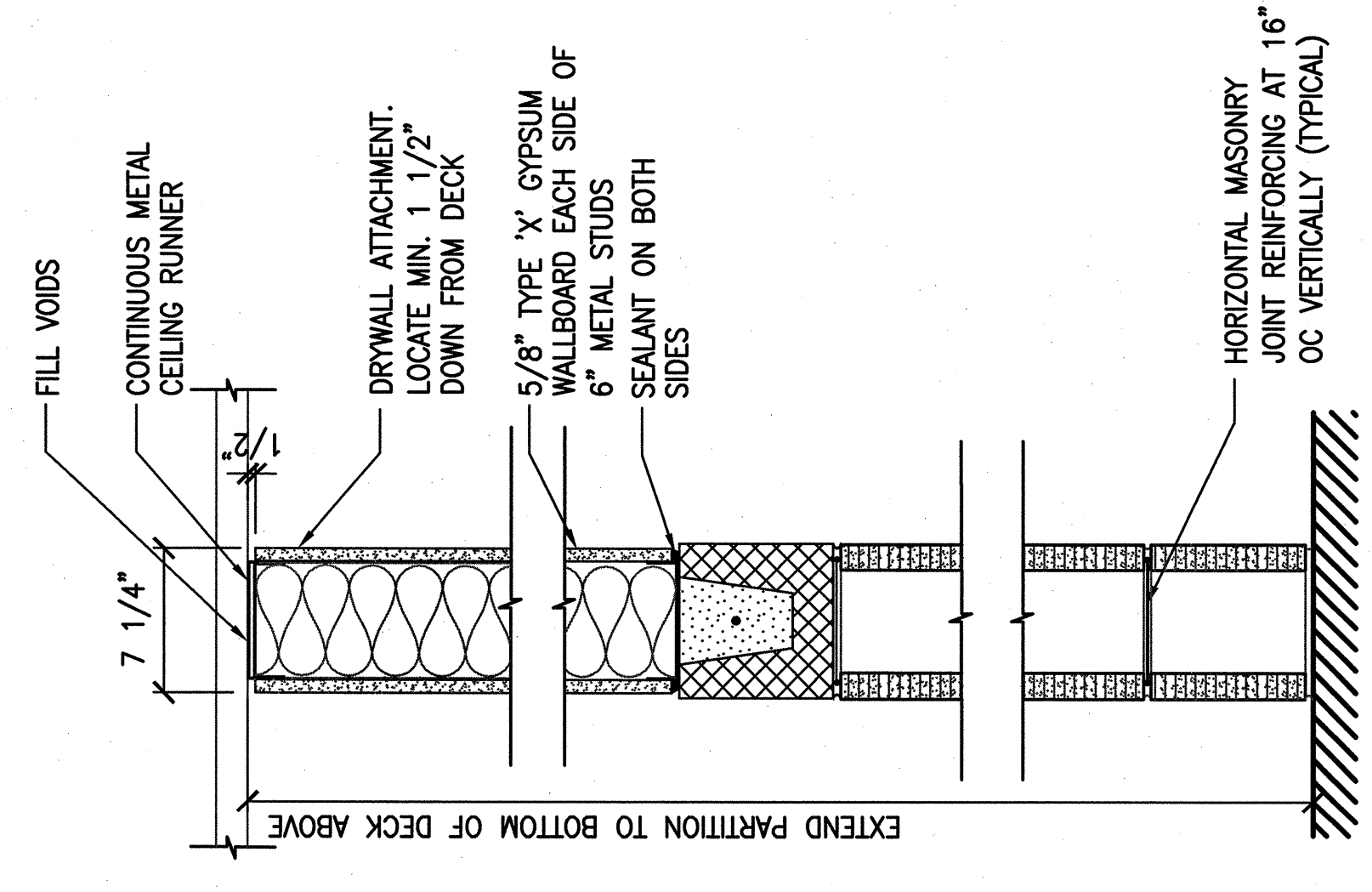
INTERIOR PARTITION TYPE 3
SCALE: 1 1/2"=1'-0"

- 3 ACoustical BATT NOT REQUIRED
- 3.1 PROVIDE ACoustical BATT



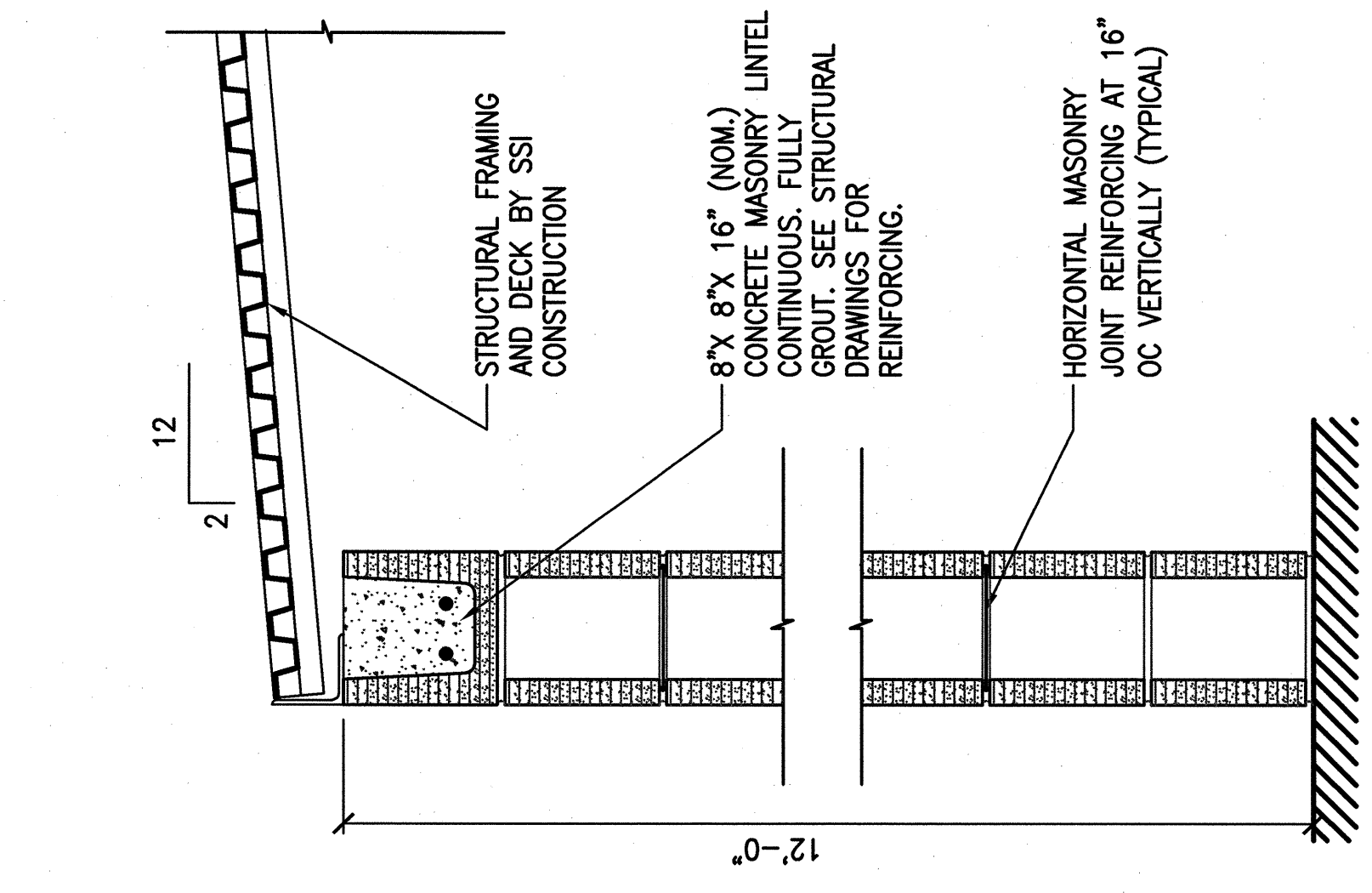
INTERIOR PARTITION TYPE 4
SCALE: 1 1/2"=1'-0"

- 4 8" NOM. CONCRETE MASONRY PARTITION FULL HEIGHT
- 4.1 1 HR.- 8" NOM. CONCRETE MASONRY PARTITION FULL HEIGHT U/L# U905



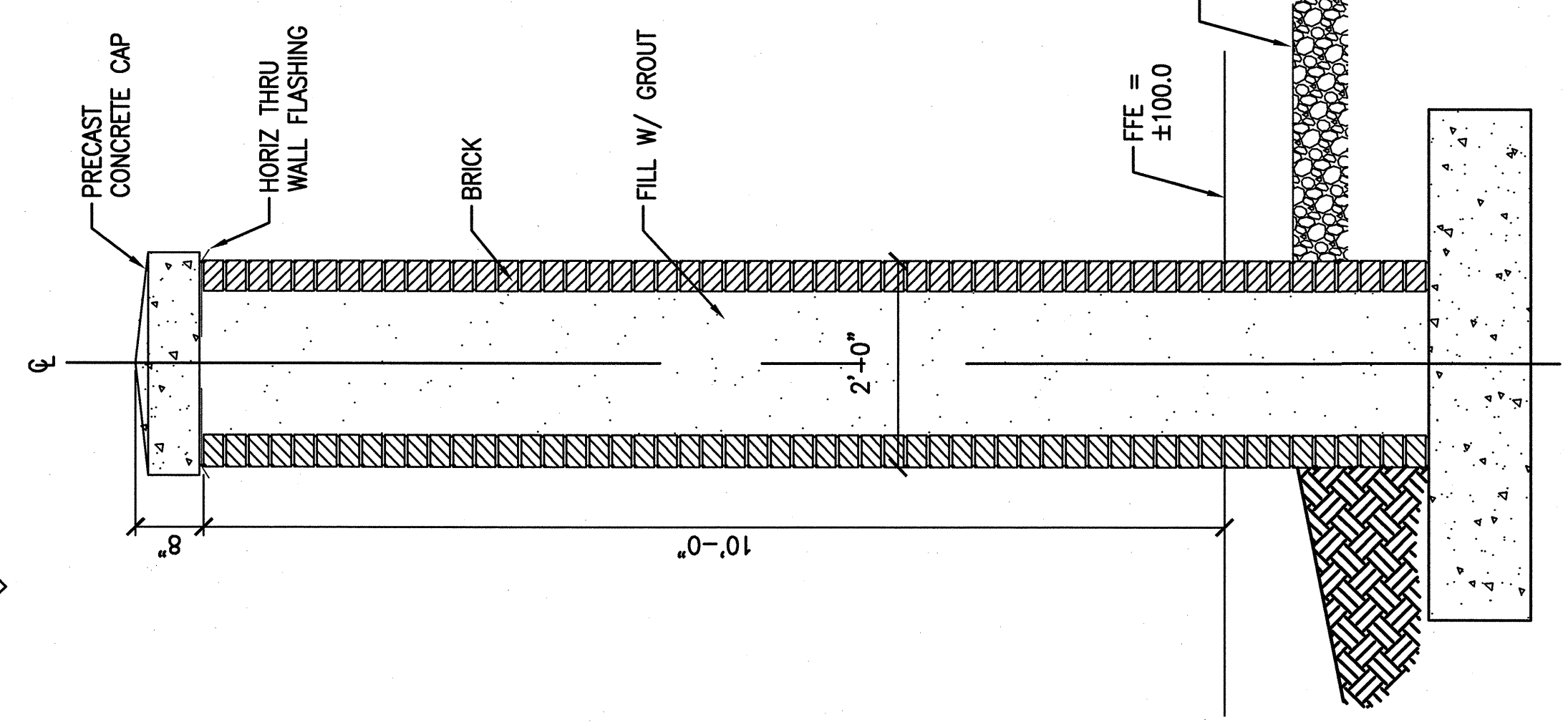
INTERIOR PARTITION TYPE 5
SCALE: 1 1/2"=1'-0"

- 5 8" NOM. CONCRETE MASONRY PARTITION TO 10'-0" A.F.F. WITH 6" METAL STUDS AT 16" O.C.
- 5.1 8" NOM. CONCRETE MASONRY PARTITION TO 10'-0" A.F.F. WITH 6" METAL STUDS AT 16" O.C. ON TOP - 1 HR. RATED U/L# U419

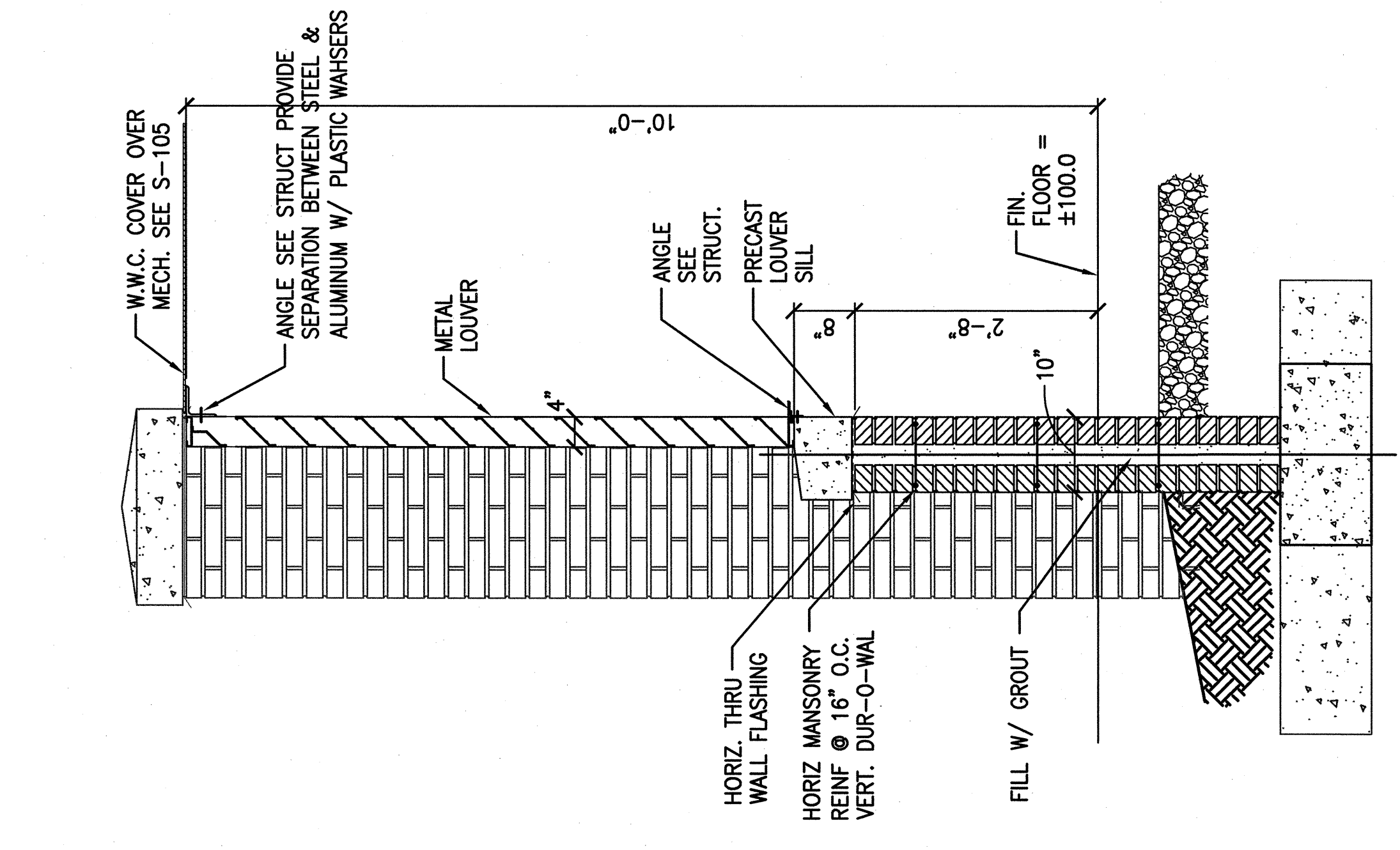


INTERIOR PARTITION TYPE 6
SCALE: 1 1/2"=1'-0"

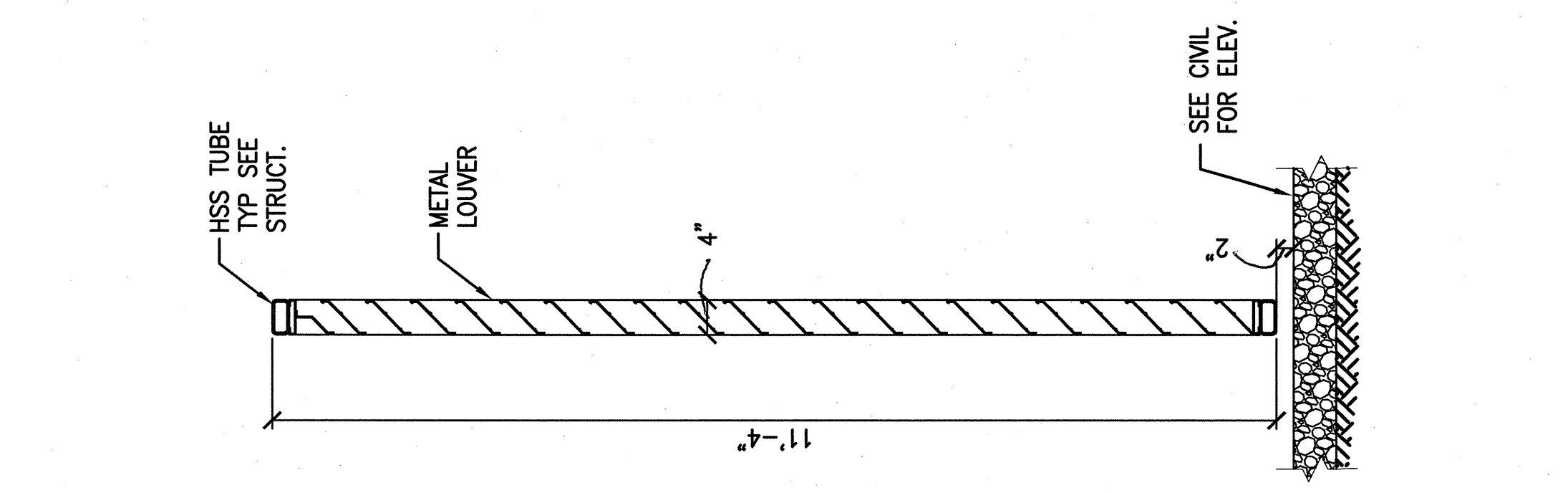
- 6 CMU PARTITION TO 12'-0" A.F.F.



1 MECH YARD PILASTER
SCALE: 3/4"=1'-0"



2 MECH YARD SCREEN WALL
SCALE: 3/4"=1'-0"



3 MECH YARD GATE
SCALE: 3/4"=1'-0"