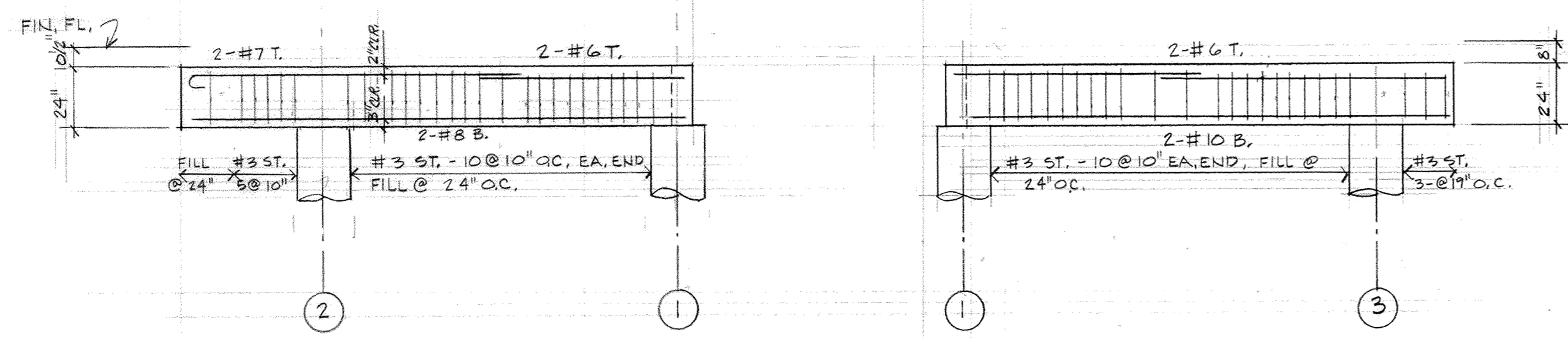


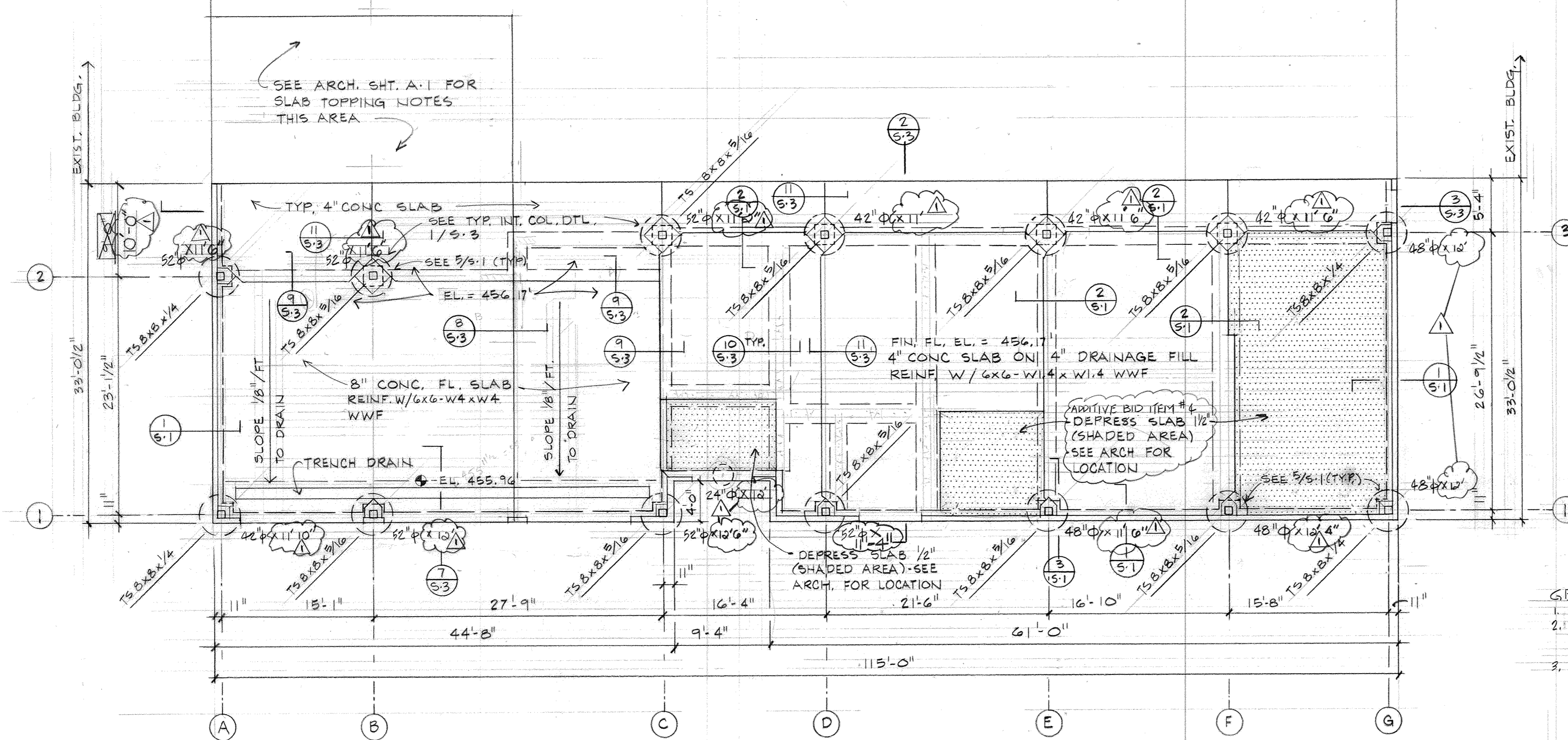
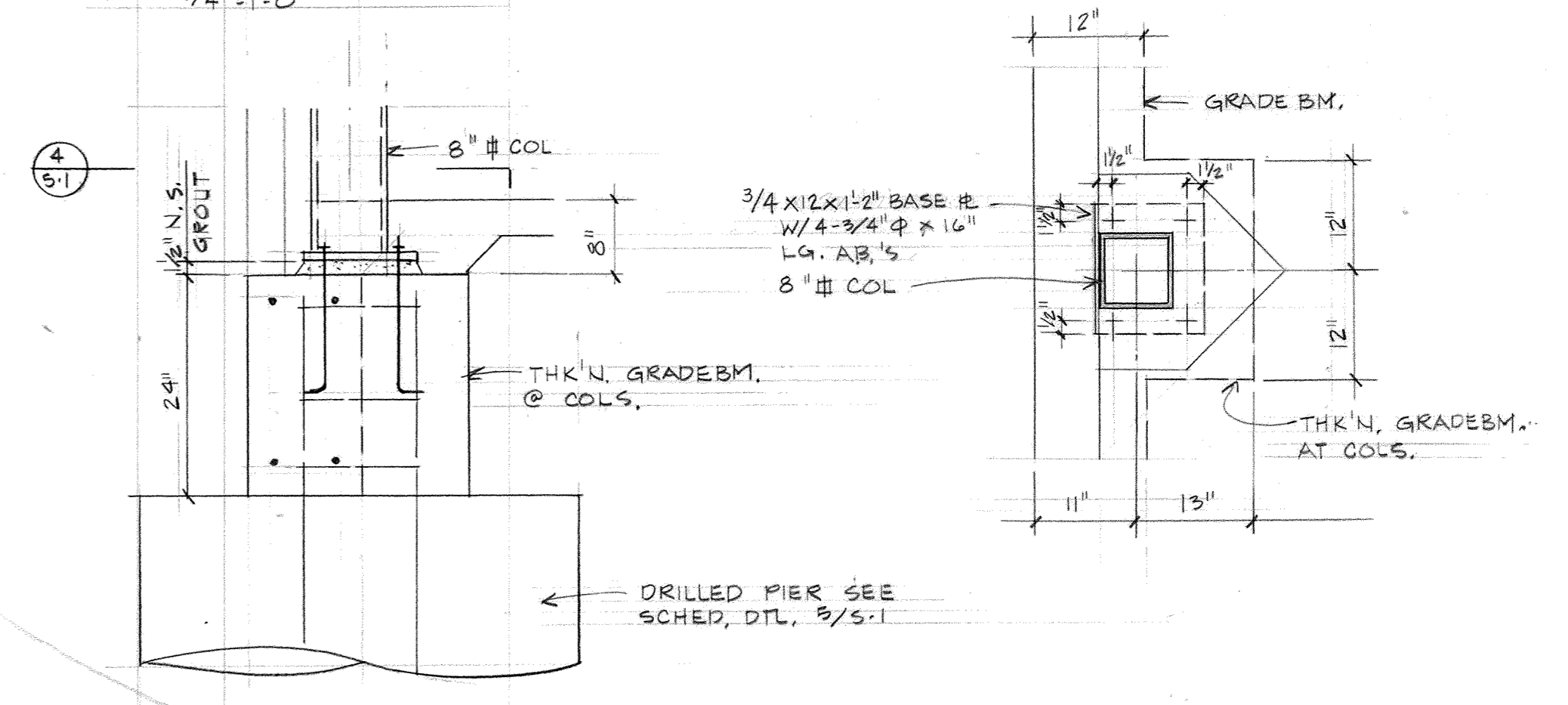
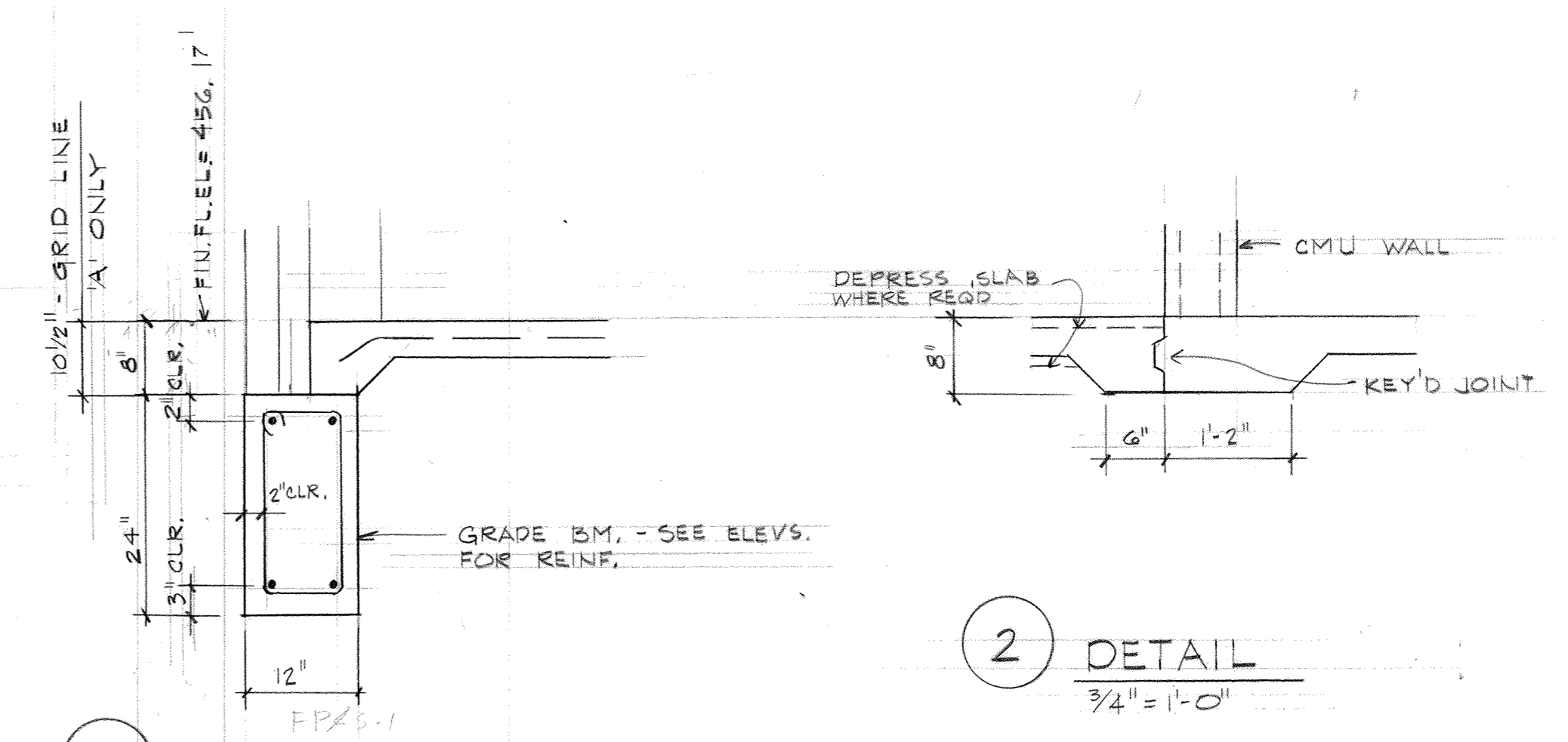
SOUTH GRADEBEAM ELEVATION (LOOKING NORTH)

1/8" = 1'-0" (HORIZ.)
1/4" = 1'-0" (VERT.)



WEST GRADEBEAM ELEV. (LOOKING EAST)
1/8" = 1'-0" (HORIZ.)
1/4" = 1'-0" (VERT.)

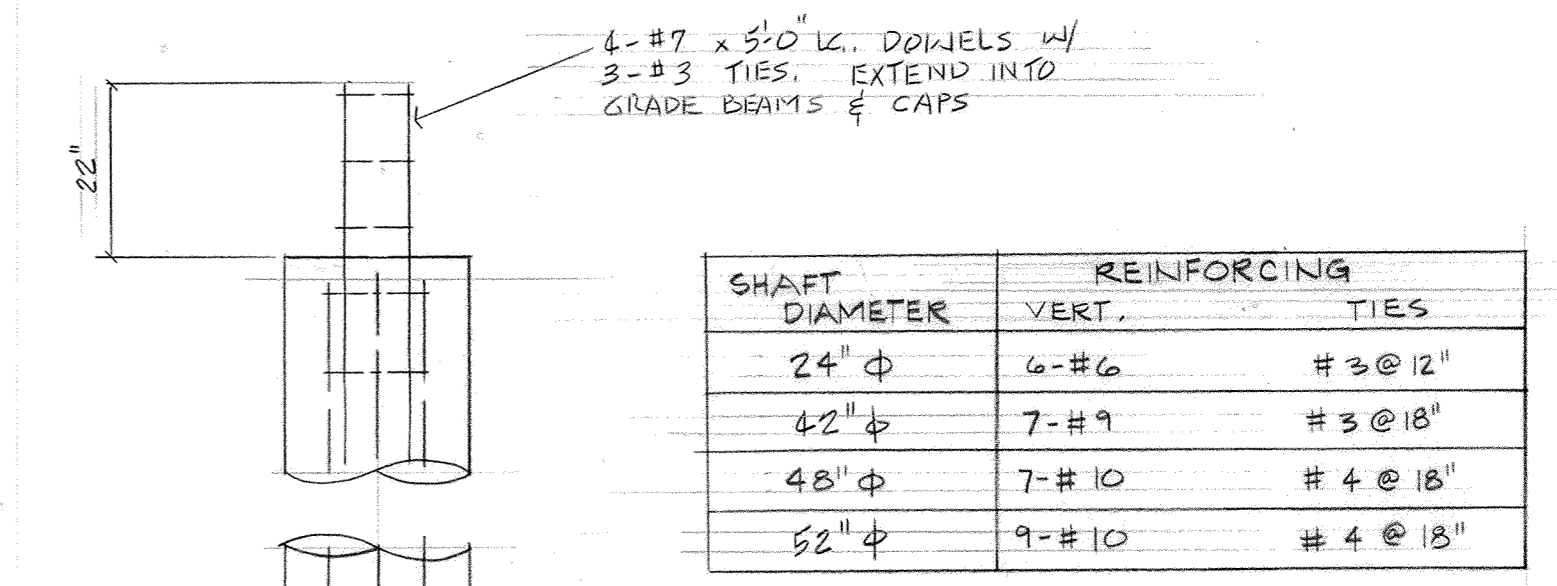
EAST GRADEBEAM ELEV. (LOOKING WEST)
1/8" = 1'-0" (HORIZ.)
1/4" = 1'-0" (VERT.)



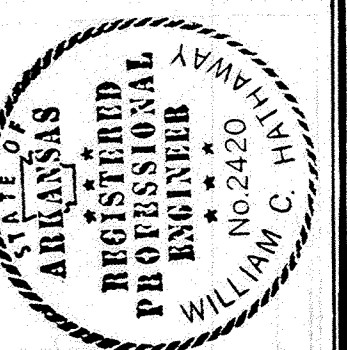
FOUNDATION PLAN
1/8" = 1'-0"

PIER DEPTH ADDED PER CONTRACTOR'S PROJECT RECORD DRAWINGS

- GENERAL NOTES:
- SEE ARCHITECTURAL PLANS FOR EXTERIOR CONCRETE WORK.
 - PROVIDE CORNER BARS, OF SAME SIZE AND SPACING AS SCHEDULED REINFORCING, AT ALL CORNERS AND INTERSECTIONS OF GRADE BEAMS AND FOOTINGS.
 - LAP REINFORCING BARS A MINIMUM OF 24"



ADDITION / ALTERATION OF
FIRE STATION
ARKANSAS AIR NATIONAL GUARD
FORT SMITH, ARKANSAS



architecture plus
120 North 9th Street • Fort Smith, Arkansas • 501/783-8395

FOUNDATION PLAN & DETAILS

REVISIONS:
1 ASBUILT

PROJECT: 88-18

DATE: 7-24-89

5.1 OF 3

