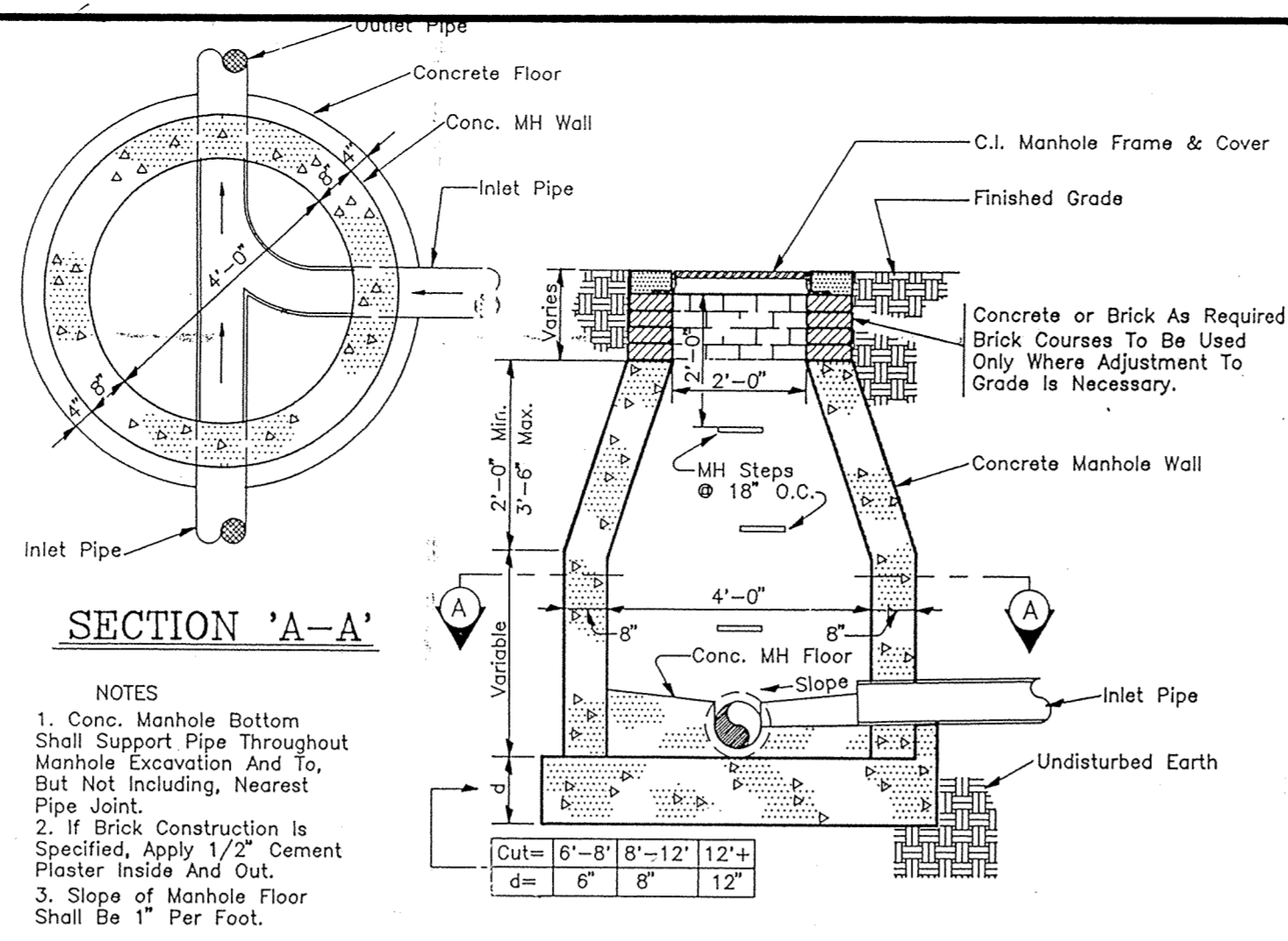
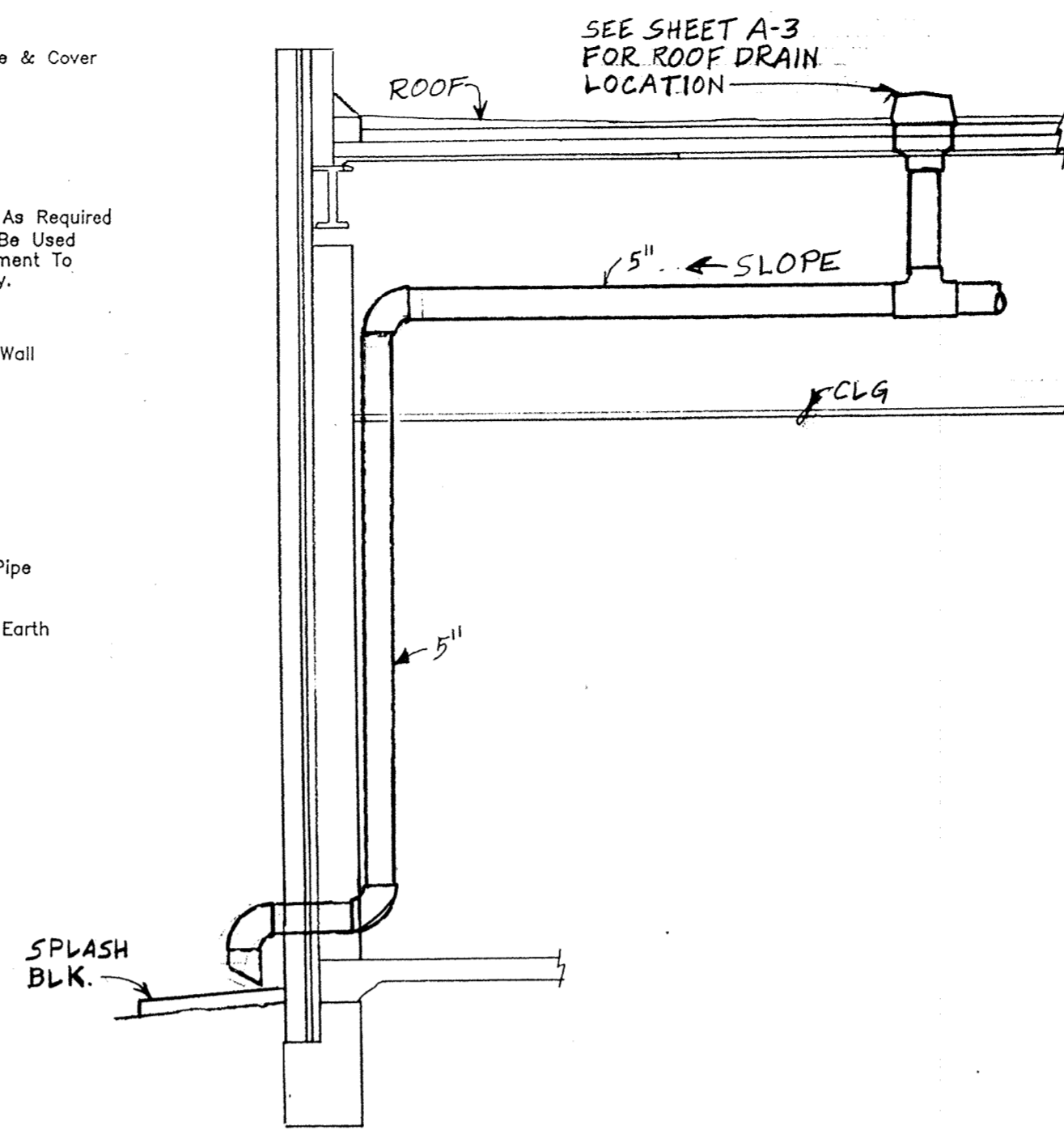


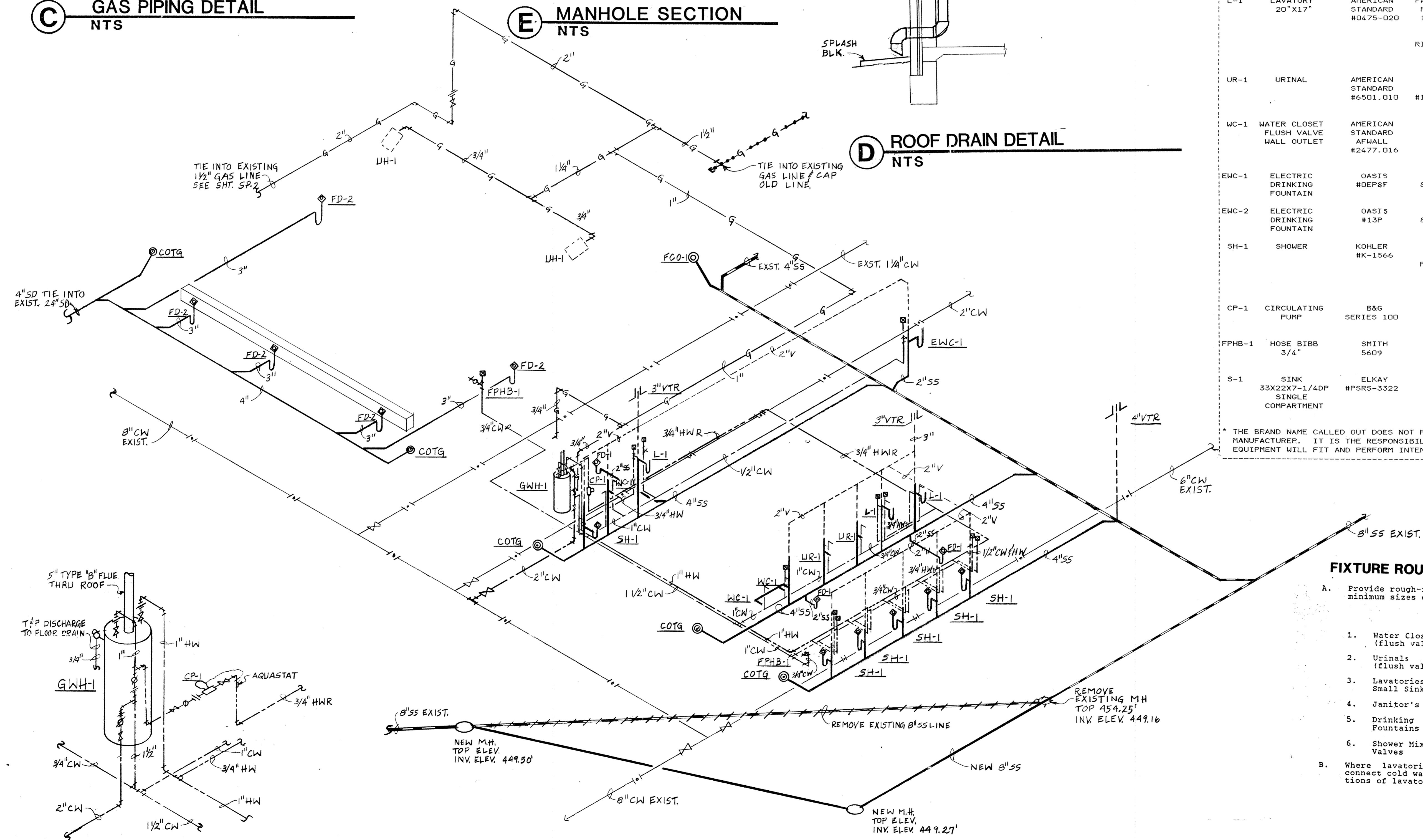
**C GAS PIPING DETAIL**  
NTS



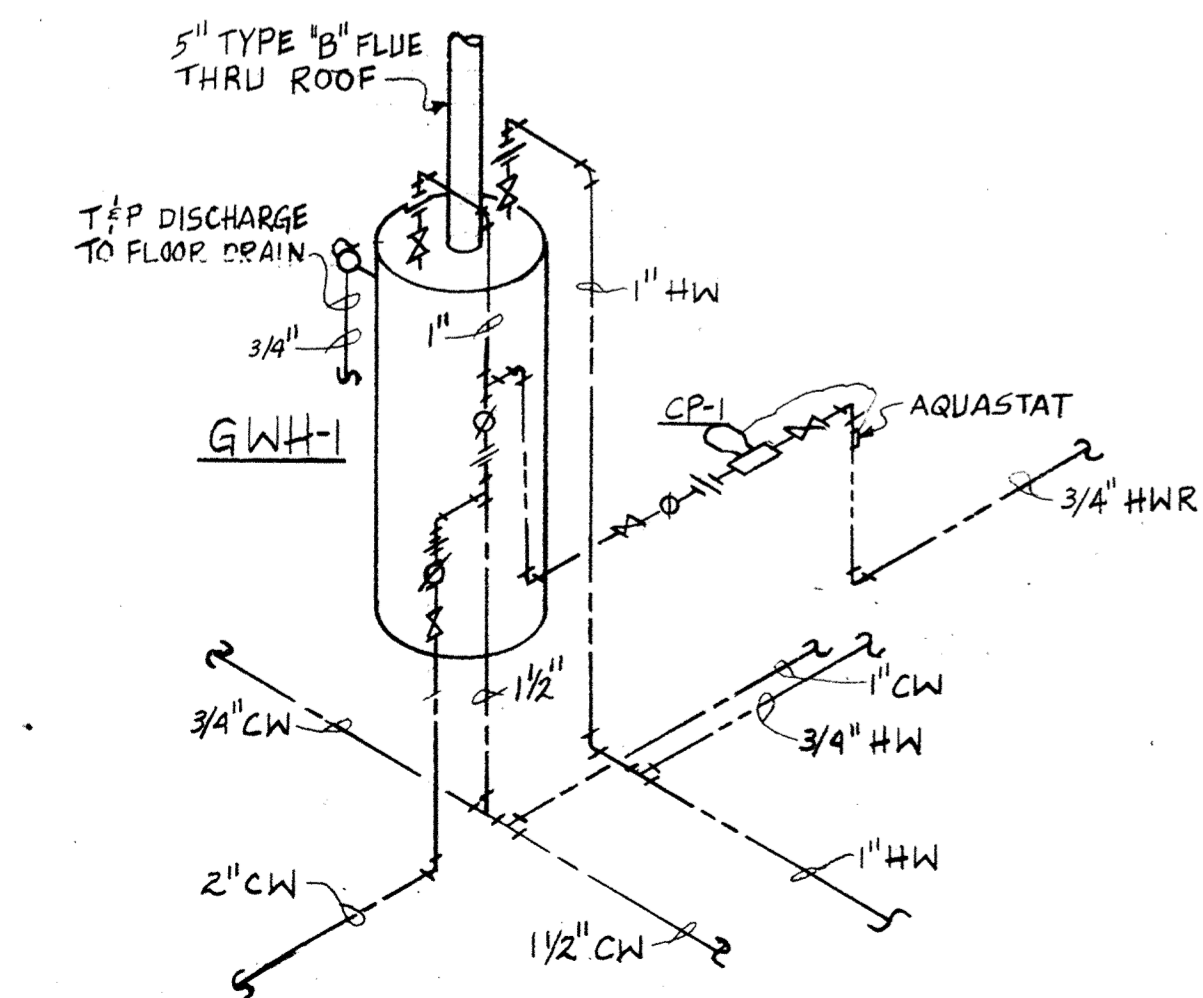
**E MANHOLE SECTION**  
NTS



**D ROOF DRAIN DETAIL**  
NTS



**A PLUMBING RISER DIAGRAM**  
NTS  
REF: SEE SHT P-2 FOR NOTES & LEGEND



**B WATER HEATER DETAIL**  
NTS

**PLUMBING FIXTURE SCHEDULE**

MARK	DESC. / SIZE	MANUFACTURER / MODEL	TRIM	COMMENTS
FCO-1	FLOOR CLEAN-OUT	J.R. SMITH #4020		NICKEL BRONZE TOP, ADJUSTABLE TOP, SIZE PER DWG
COTG	CLEAN-OUT TO GRADE	J.R. SMITH #4250		CAST IRON, SIZE PER DWG
FD-1	FLOOR DRAIN 2"	J.R. SMITH #2005-A-PB	PROVIDE DEEP TRAP, 2"	POLISHED BRONZE STRAINER, 2" DRAIN PIPE, 5" DIA ADJUSTABLE TOP
FD-2	FLOOR DRAIN 3"	J.R. SMITH #2310-PB	PROVIDE DEEP TRAP, 3"	POLISHED BRONZE TOP, 3" DRAIN PIPE, 8-1/2" DIA ADJUSTABLE TOP
RD-1	ROOF DRAIN 3"	J.R. SMITH #1015-Y	PROVIDE EXTENSION & ACCESS, AS REQ'D FOR COMPLETE ASSEMBLY	NO-HUB CAST IRON, ADJUSTABLE
GWH-1	GAS WATER HEATER 75 GAL	RUUD #RT275-63-7	T&P RELIEF VALVE & GATE VALVES & ACCESS, AS SHOWN ON DWG OR IN SPECS	75,000 BTU/HR, 75 GPH RECOVERY @ 90° RISE
L-1	LAVATORY 20" X 17"	AMERICAN STANDARD #0475-020	FAUCET ON 8" CTRS COUNTER TOP, SELF-RIMMING POP-UP DRAIN W/ 1-1/4" TAILPIECE #2248, 623 STOPS W/ FLEX RISER #165 MCGUIRE P-TRAP #8872 MCGUIRE	VITREOUS CHINA WHITE
UR-1	URINAL	AMERICAN STANDARD #6501.010	FLUSH VALVE SLOAN ROYAL #186-TOP SPUD 3/4"	WASHBROOK, 3/4" TOP SPUD, VITREOUS CHINA, WATER SAVER, WALL HUNG WHITE
WC-1	WATER CLOSET FLUSH VALVE WALL OUTLET	AMERICAN STANDARD #2477.016	FLUSH VALVE, DELANY #F402-3 SEAT, CHURCH #295C	VITREOUS CHINA, 1-1/2" TOP SPUD, ELONGATED BOWL, WATER SAVER, SIPHON JET COLOR BY ARCHITECT W/ ADJUSTABLE SUPPORTS WHITE FULLY RECESSED
EWC-1	ELECTRIC DRINKING FOUNTAIN	OASIS #OEP8F	ELJERS NOS. 802-0320 SUPPLY, 804-1104 TRAP	
EWC-2	ELECTRIC DRINKING FOUNTAIN	OASIS #13P	ELJERS NOS. 802-0320 SUPPLY, 804-1104 TRAP	
SH-1	SHOWER	KOHLER #K-1566	SPEAKMAN/FLOFREE SHOWER FITTINGS #SL-406 W/ 2-3 GPM RESTRICTOR CHROME FINISH	SONATA SHOWER COVE W/ INTEGRAL HIGH-DOME CEILING W/ LIGHT, W/ GRAB BAR, FAUCET ON LEFT WHITE
CP-1	CIRCULATING PUMP	B&G SERIES 100		1-1/2" NPT FLANGE 1/2 HP, 110 VOLT SINGLE PHASE
FPHB-1	HOSE BIBB 3/4"	SMITH 5609		FROST PROOF, LINEGARD RECESSED BOX 7 INTEGRAL VACUUM BREAKER
S-1	SINK 33X22X7-1/4 DP SINGLE COMPARTMENT	ELKAY #PSRS-3322	HI-ARC FAUCET #LK-2423 DRAIN OUTLET W/ STRAINER & TAILPIECE	

\* THE BRAND NAME CALLED OUT DOES NOT PRECLUDE EQUAL EQUIPMENT OF ANOTHER MANUFACTURER. IT IS THE RESPONSIBILITY OF CONTRACTOR TO ASSURE THAT EQUIPMENT WILL FIT AND PERFORM INTENDED FUNCTION.

**FIXTURE ROUGH-IN SCHEDULE**

A. Provide rough-in piping connections of the following minimum sizes or as required for particular fixture.

	Waste	Vent	Cold Water	Hot Water
1. Water Closets (flush valve)	4"	2"	1"	
2. Urinals (flush valve)	2"	1 1/2"	3/4"	
3. Lavatories & Small Sinks	1 1/2"	1 1/4"	1/2"	1/2"
4. Janitor's Sinks	3"	1 1/2"	1/2"	1/2"
5. Drinking Fountains	1 1/4"	1 1/4"	1/2"	
6. Shower Mixing Valves	See floor drain	1/2"	1/2"	

B. Where lavatories are supplied with cold water only, connect cold water supply to both hot and cold connections of lavatory fitting.



ADDITION / ALTERATION OF  
**FIRE STATION**  
ARKANSAS AIR NATIONAL GUARD  
FORT SMITH, ARKANSAS

**a+** architecture plus  
120 North 9th Street • Fort Smith, Arkansas • 501/783-8395  
**OMG** O. MICHAEL GREEN ENGINEERING INC.  
SUITE 610 FIRST PLACE • FAYETTEVILLE ARKANSAS • (501) 442-4882  
**PLUMB. RISER, DETAILS & SCHED.**

REVISIONS:

PROJECT: **88-18**

DATE: 7-24-89

SHT **P-3** of **3**

