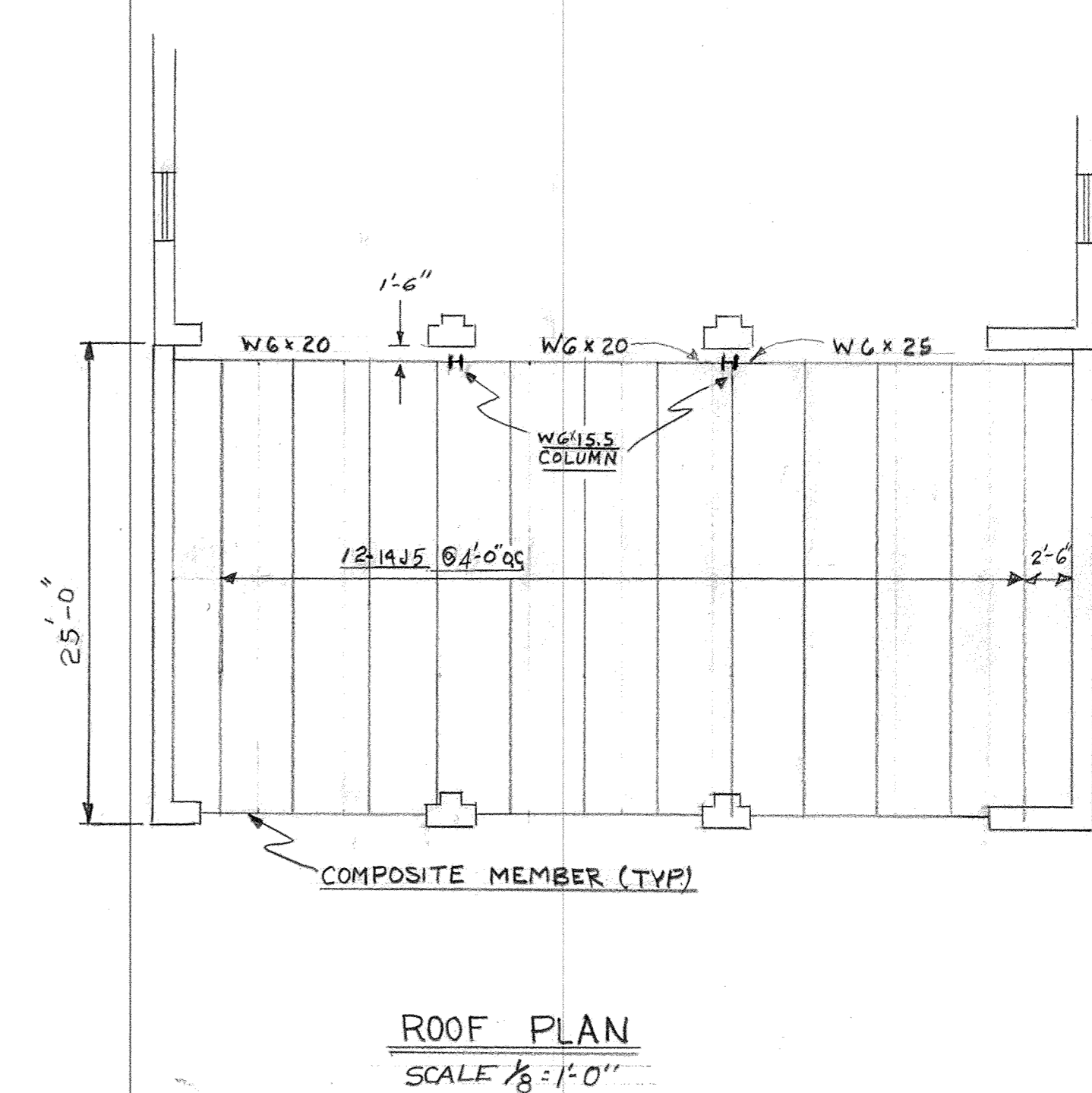
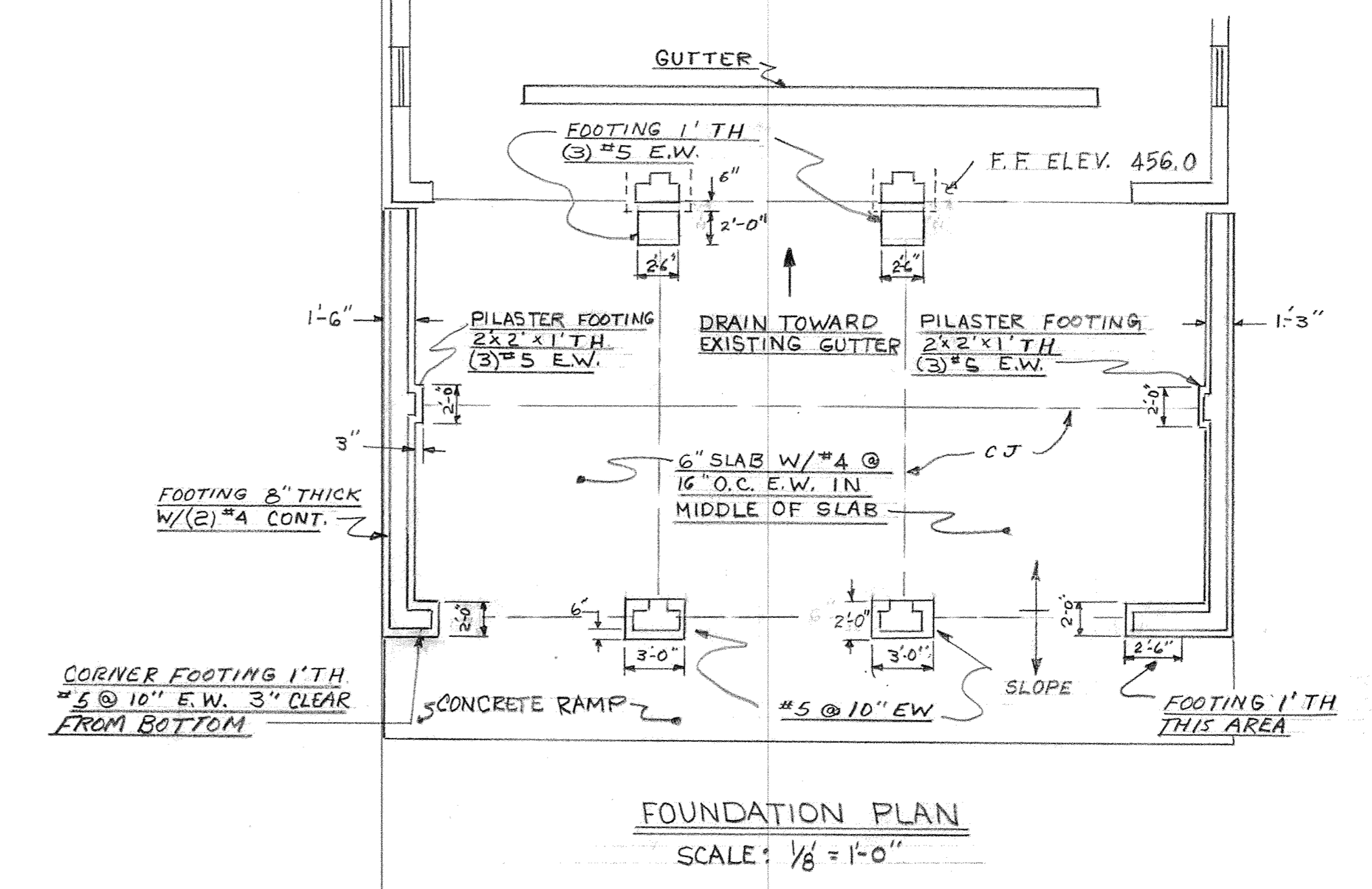
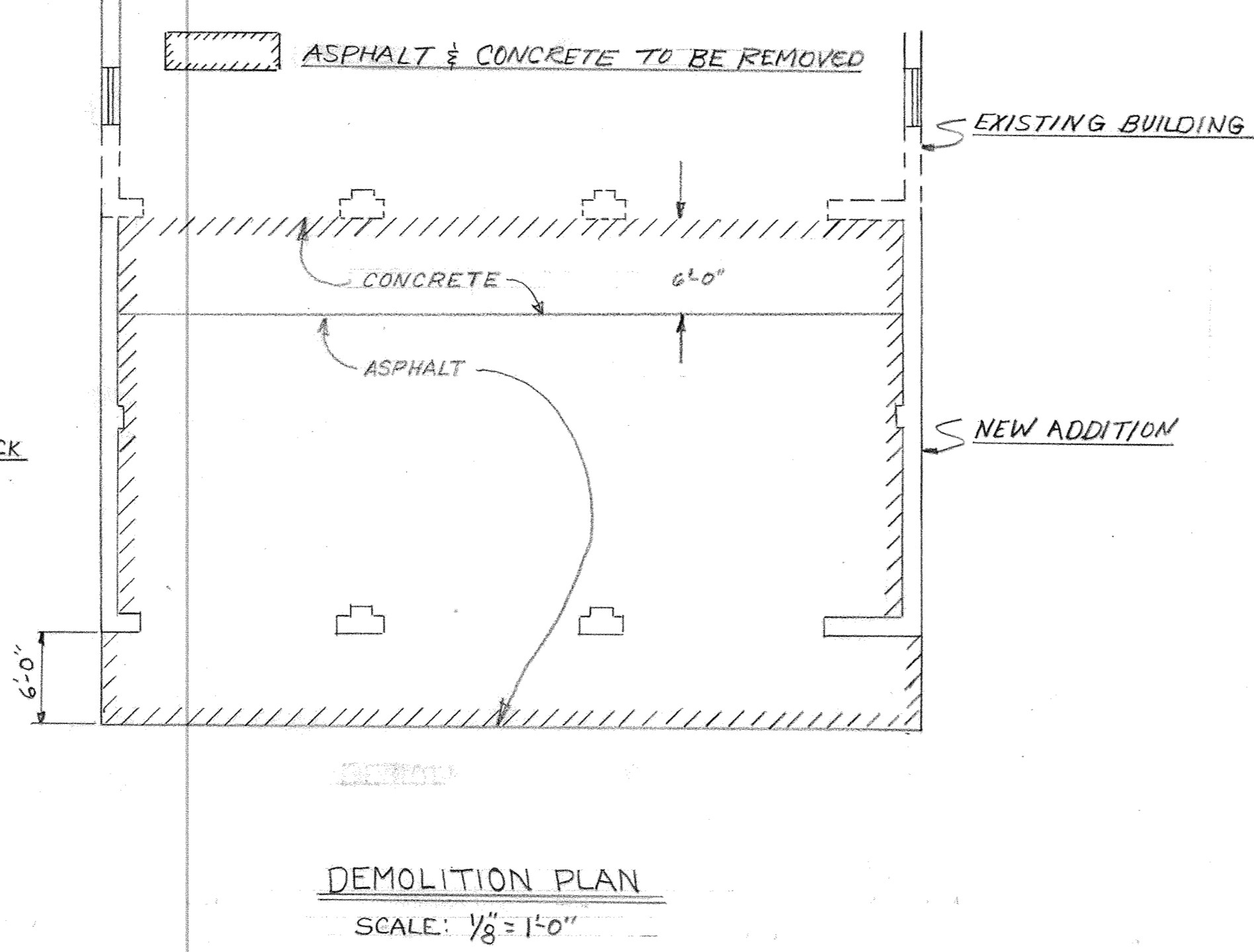
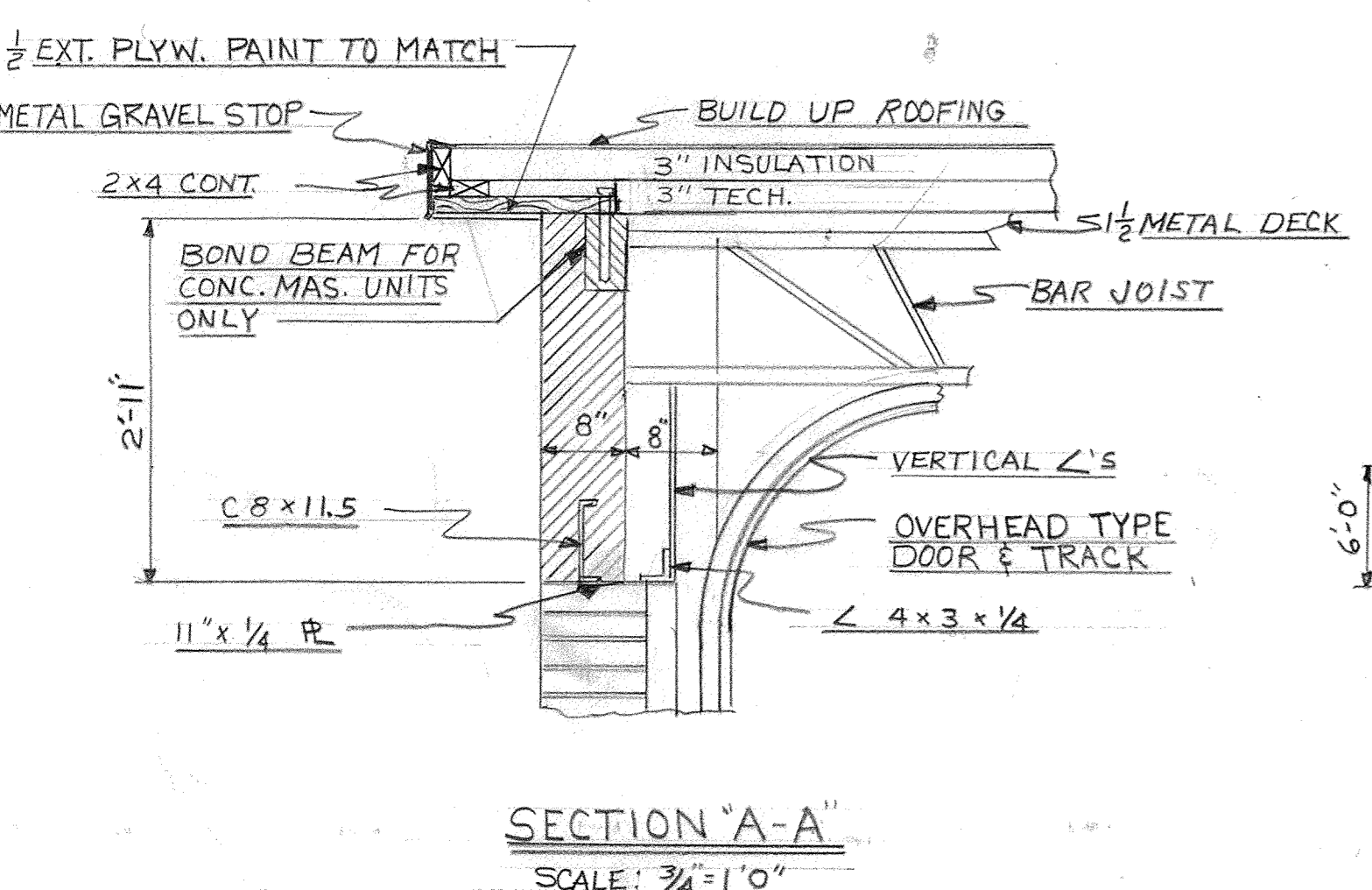
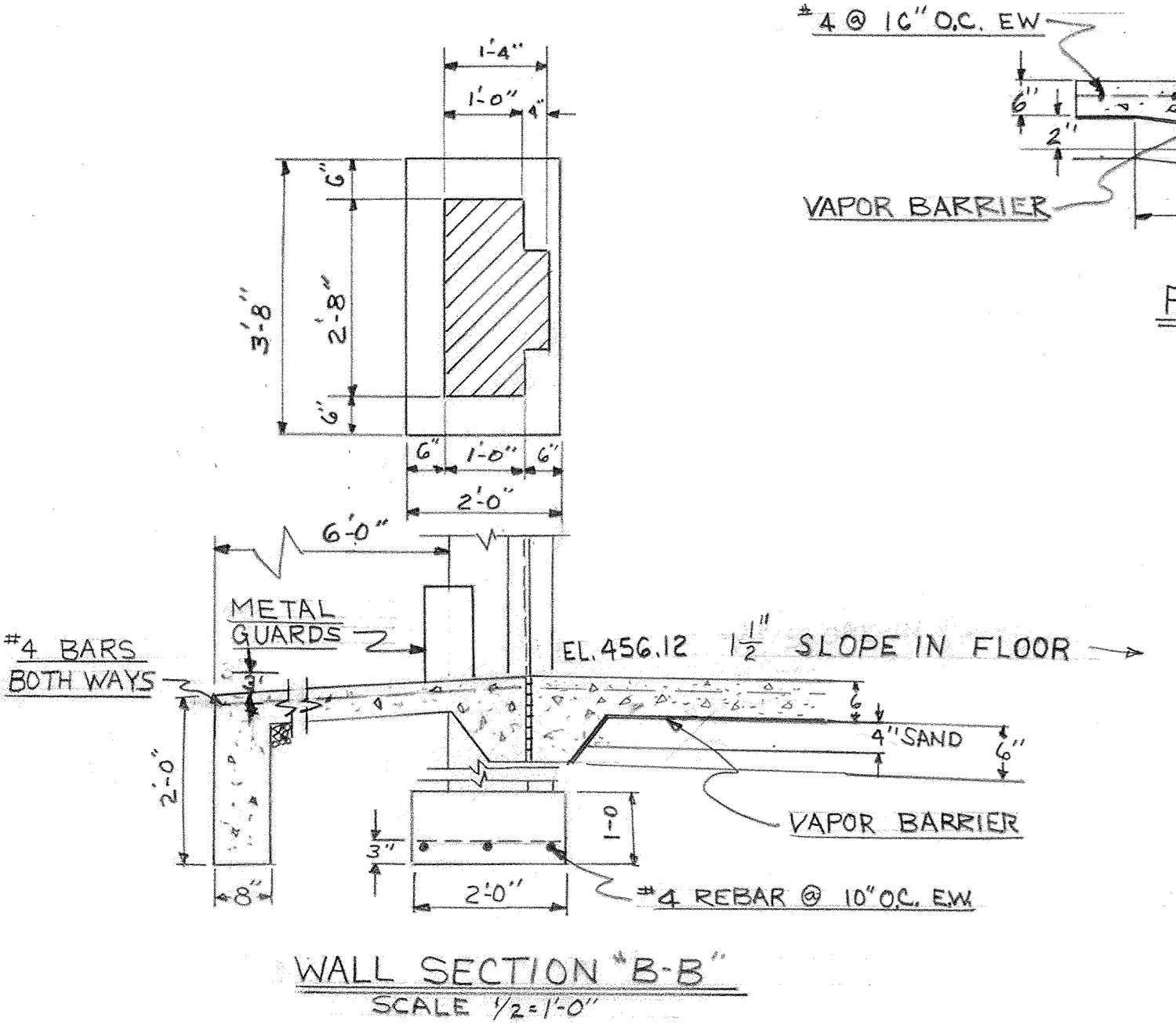
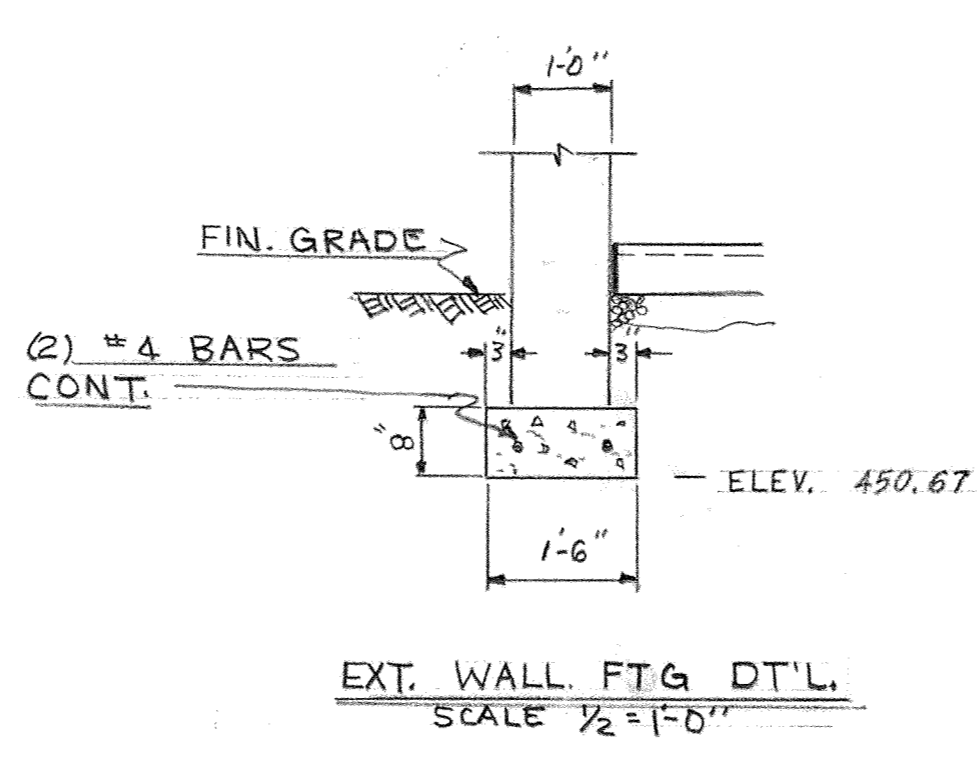
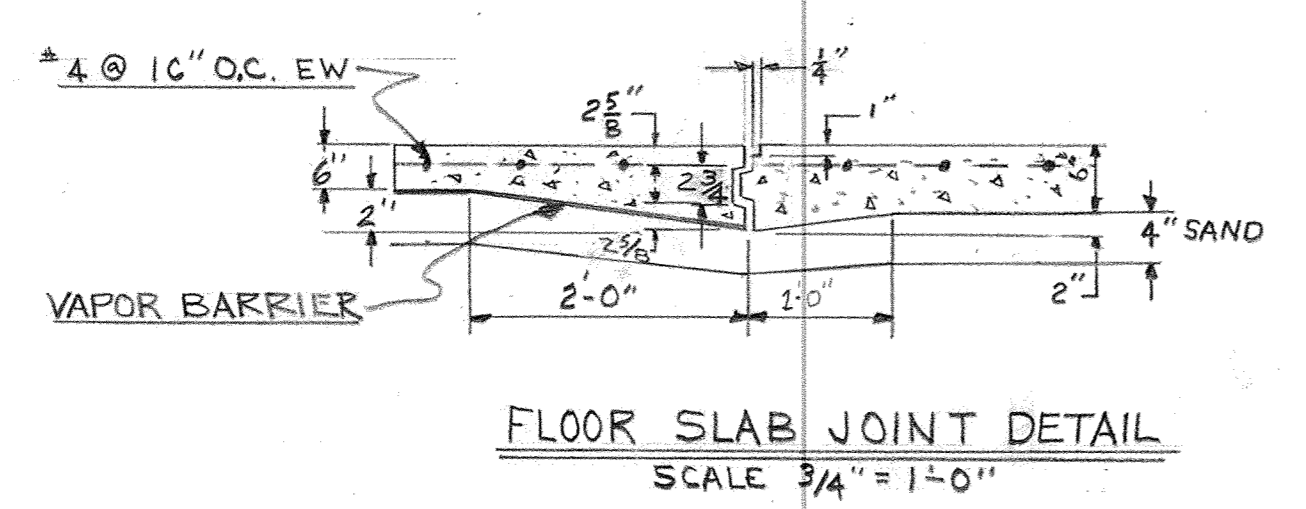
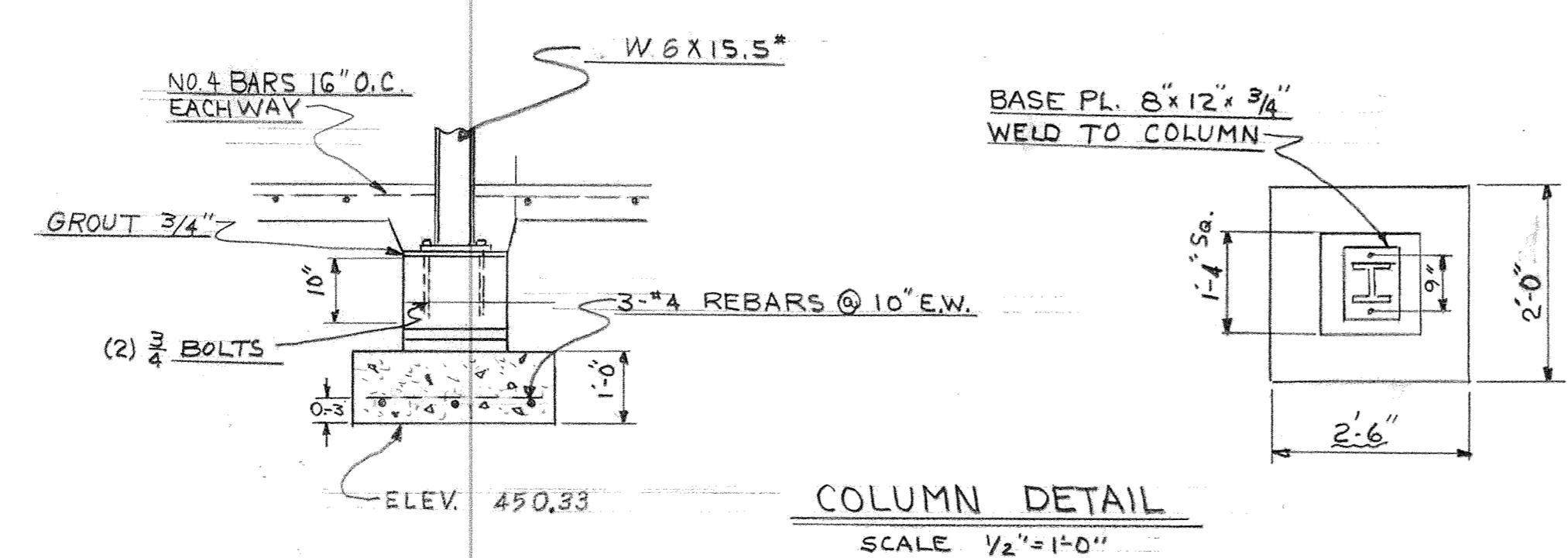
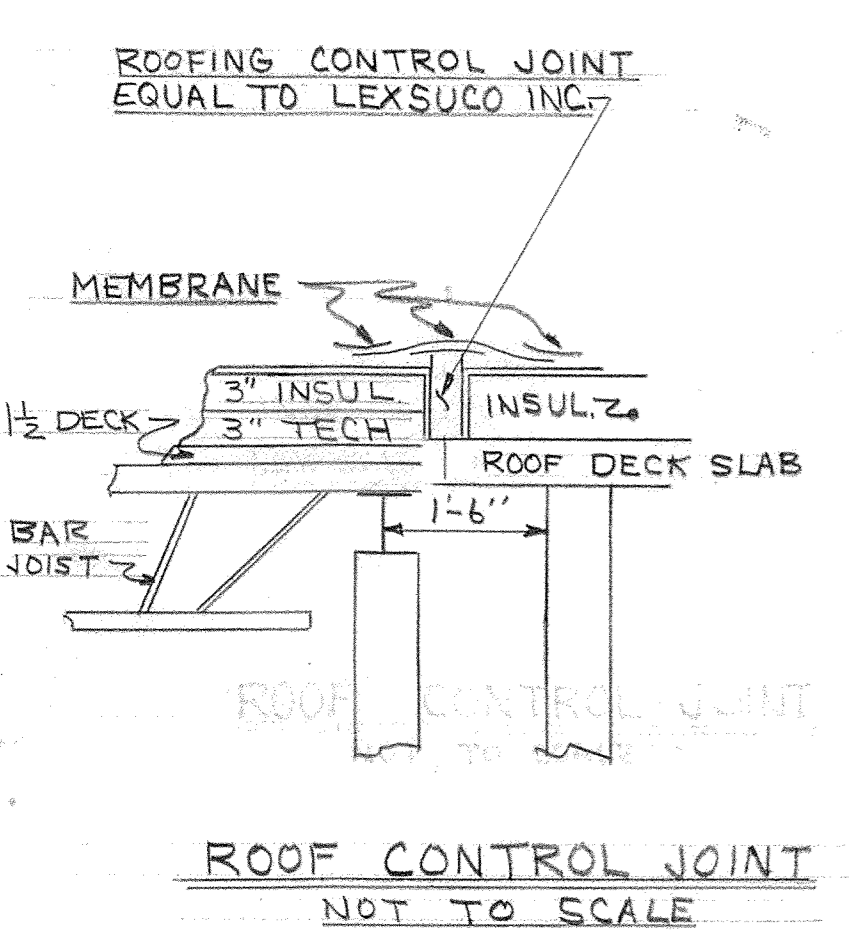


REVISIONS			
LTR	DESCRIPTION	DATE	APPROVED



SYMBOL	NOMENCLATURE	CODE IDENT	IDENTIFYING NO.	MATERIAL / SPECIFICATION	UNIT WT	ZONE	FIND NO.
PARTS LIST							
UNLESS OTHERWISE SPECIFIED DIMENSIONS ARE IN INCHES—TOLERANCES ON: FRACTIONS DECIMALS ANGLES ± .XX ± .XXX ±							
CURRENT CODE IDENT NO.				NEXT ASSEMBLY USED ON APPLICATION			
QUANTITY REQUIRED PER DASH NO.				U.S. AIR FORCE			
				FLOOR, FOUNDATION, & ROOF PLANS			
				TITLE			
				P449 O & M PROJECT, FIRE STATION EXTENSION, WATER SERVICE FOR FILLING P4, EXHAUST SYSTEM FOR P4.			
				DR. H. SMOTHERMAN			
				CHK			
				ENG			
				AIR FORCE AUTHENTICATION			
				AIR FORCE RELEASE			
				SIZE			
				D			
				AIR FORCE CODE IDENT NO. DRAWING NO.			
				83015			
				SCALE SHOWN			
				SHEET 3 OF 4			