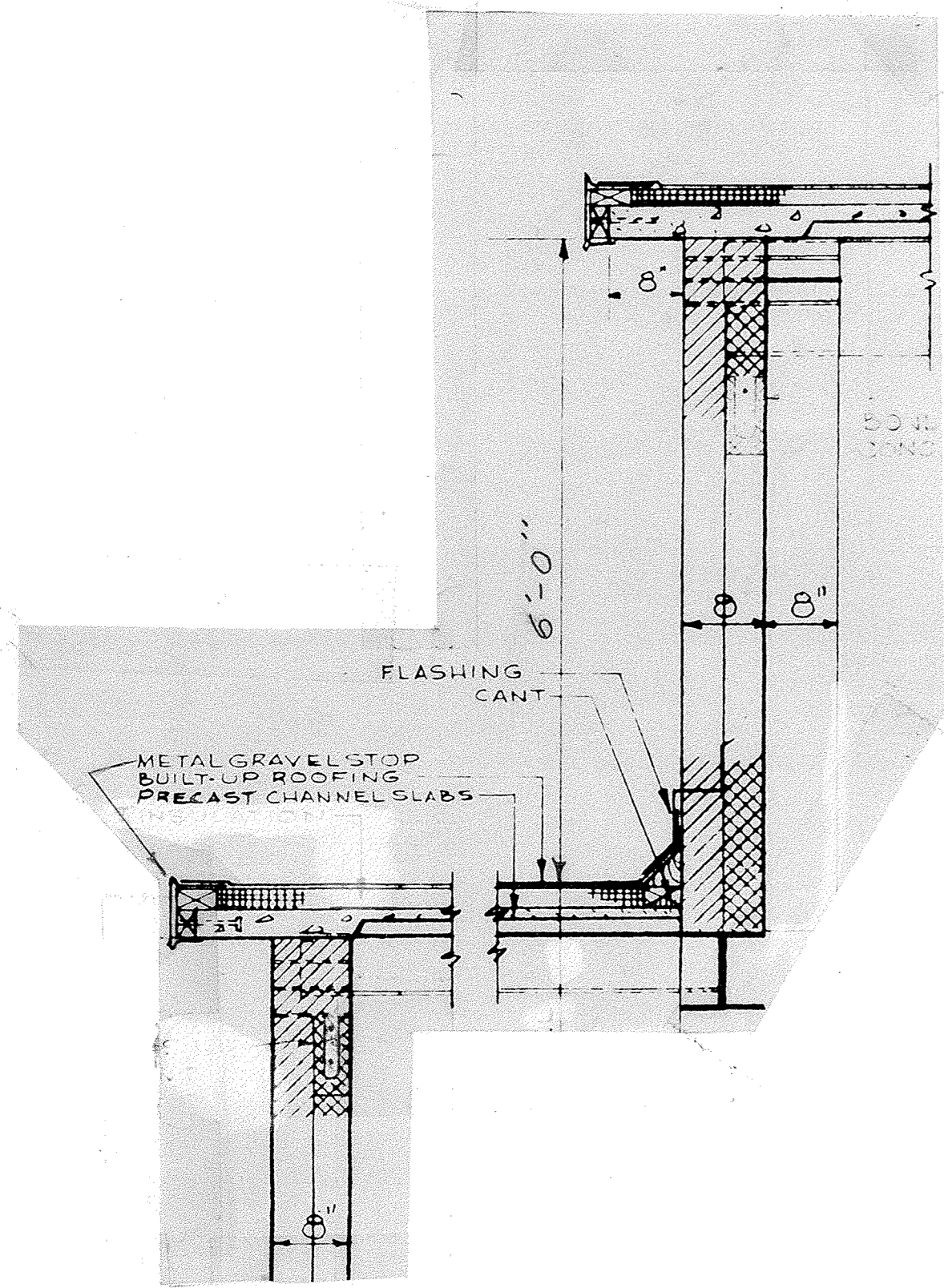
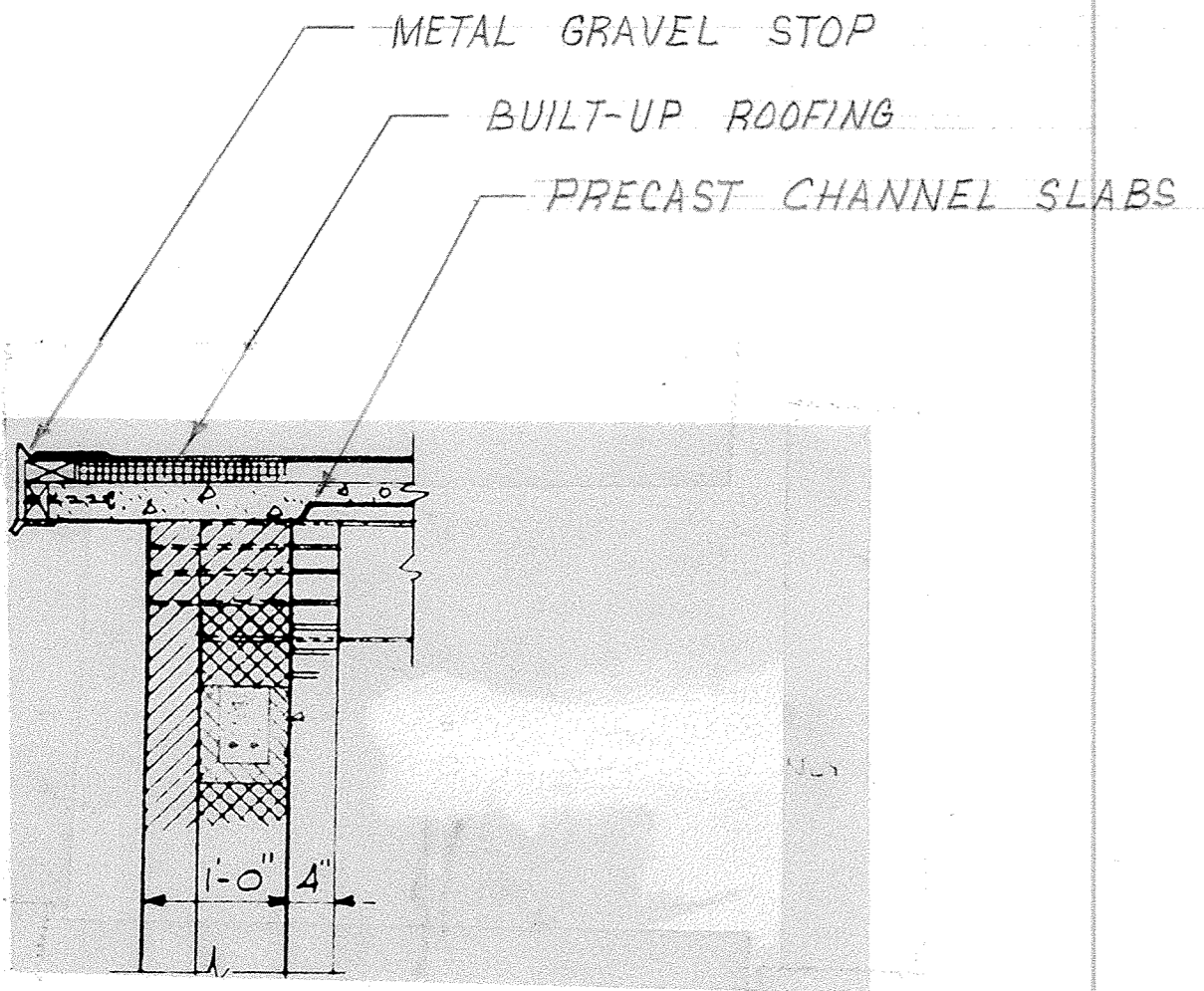


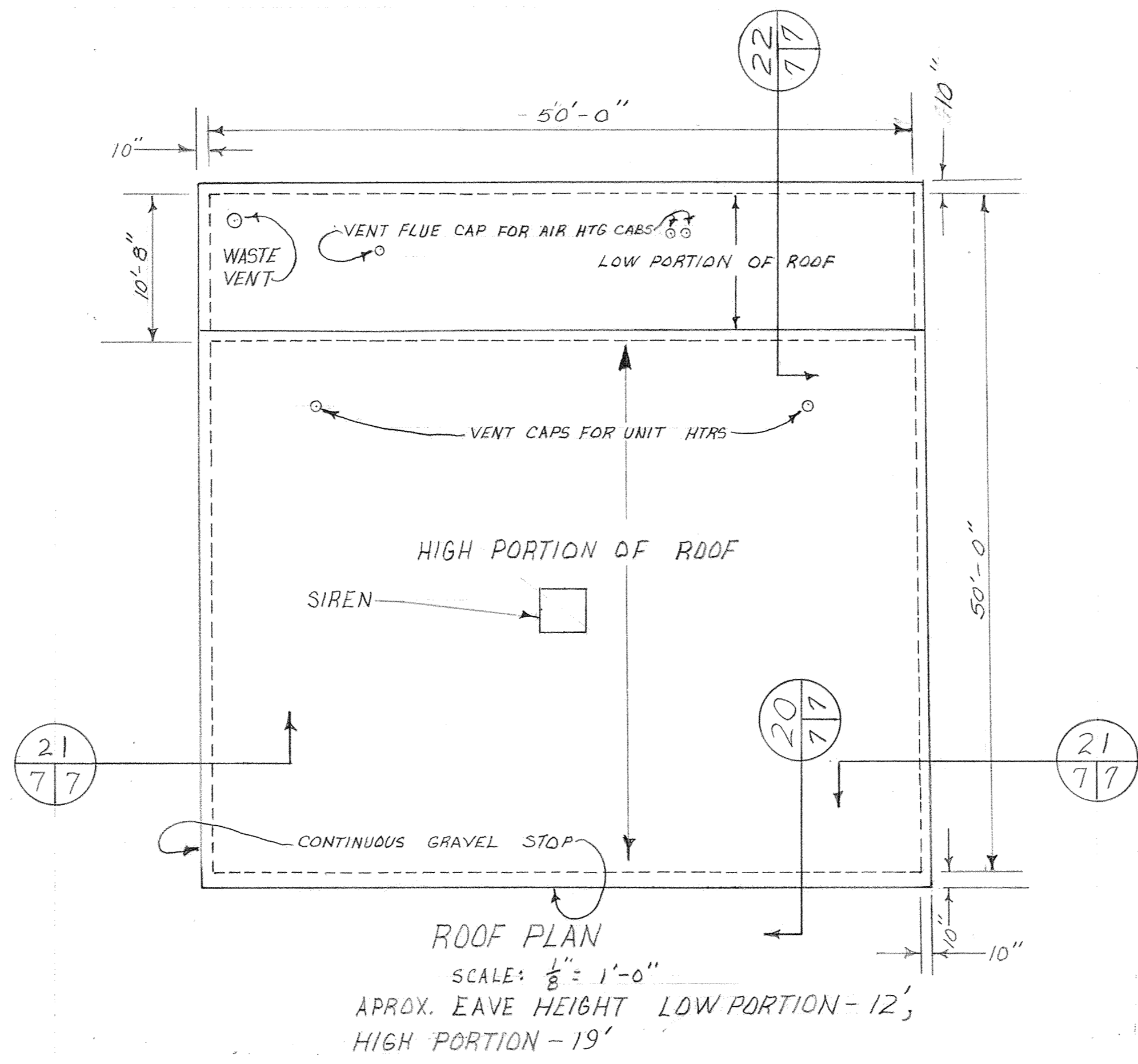
REVISIONS				
ZONE	LTR.	DESCRIPTION	DATE	APPROVED



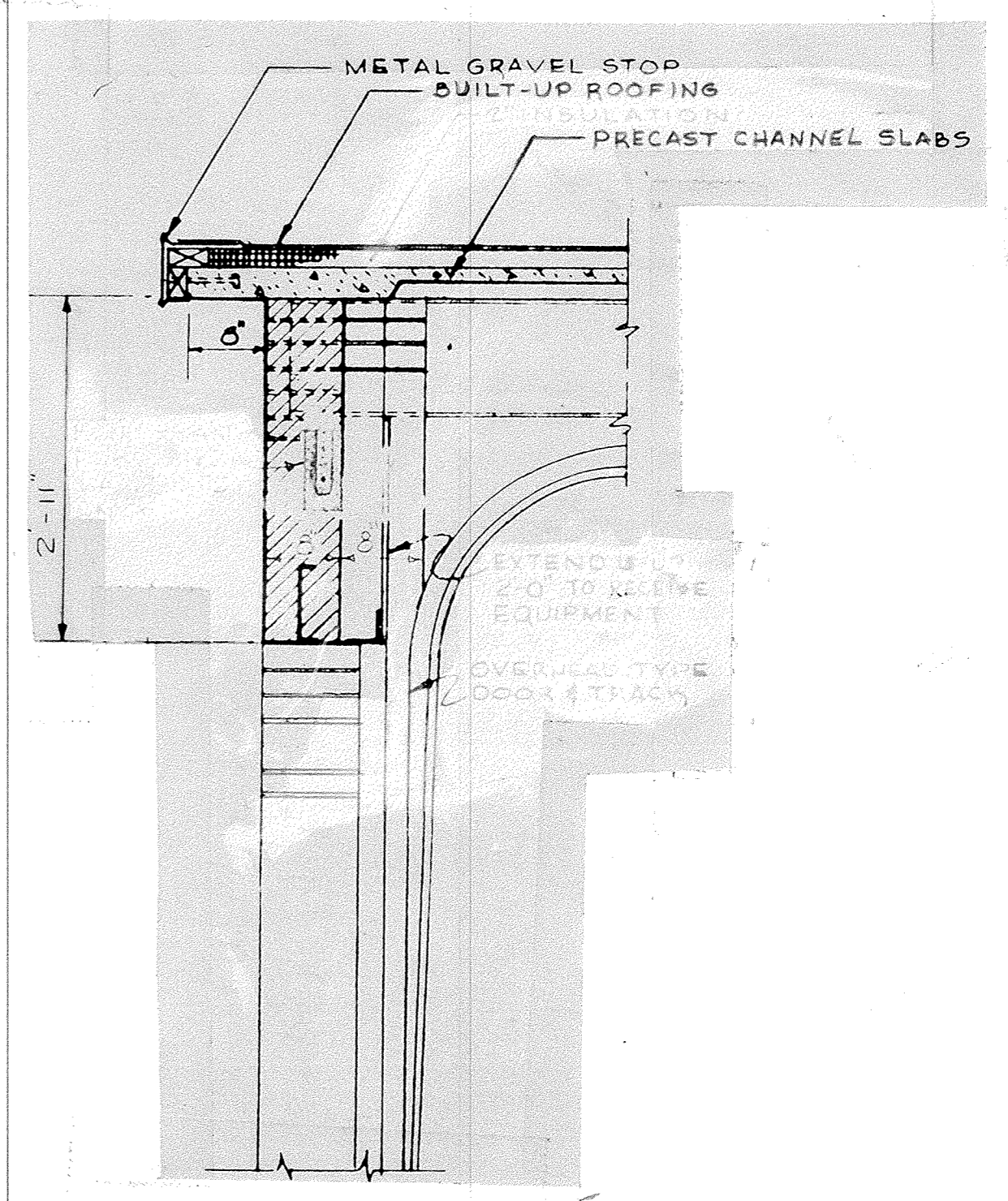
SECTION $\frac{22}{77}$ SCALE: $\frac{3}{4}'' = 1'-0''$



SECTION $\frac{21}{77}$ SCALE: $\frac{3}{4}'' = 1'-0''$



CRASH STATION: BUILDING 201



SECTION $\frac{20}{77}$ SCALE: $\frac{3}{4}'' = 1'-0''$

- NOTE:
- HEAT LOSS SHALL BE CALCULATED ACCORDING TO THE METHOD SPECIFIED IN THE AMERICAN SOCIETY OF HEATING, REFRIGERATION AND AIR CONDITIONING ENGINEERS (ASHRAE) GUIDE. THE "U" OR OVERALL HEAT TRANSMISSION FACTOR FOR THE OVERALL ROOF SYSTEM - (ROOF DECK, INSULATION, AND ROOF MEMBRANE) - SHALL NOT BE GREATER, NUMERICALLY, THAN .10 FOR BUILDING 201.
 - EAVE HEIGHT APPROX 12' & 19'.
 - CONTRACTOR SHALL VISIT JOB SITE AND VERIFY ALL CONDITIONS AND DIMENSIONS.

QTY REQD	SYM	NOMENCLATURE	CODE IDENT	IDENTIFYING NO.	SPECIFICATION	MATERIAL	UNIT WT.	ZONE	FIND NO.
LIST OF MATERIALS									
UNLESS OTHERWISE SPECIFIED DIMENSIONS ARE IN INCHES		FRACTIONS		TOLERANCES ON DECIMALS		ANGLES		DATE	
± .XX ±		± .XXX ±		±		±		DRAFTSMAN D. B.	
MATERIAL		ENGINEER P. S. C.		CHECKER J. H.		A.F. PROJ. ENGR.		U.S. AIR FORCE	
NEXT ASSY		USED ON		NEXT ASSY		FINAL ASSY		TITLE	
APPLICATION		QTY. REQD		CONTRACT NUMBER		A.F. DESIGN ACTIVITY AUTHENTICATION		REPAIR ROOFS OF BUILDINGS 102, 104, 108, 110, 200 & 201 O&M PROJECT 75-02	
SCALE AS SHOWN		SIZE D		A.F. CODE IDENT NO.		DRAWING NUMBER		75-08-01	
								SHEET 7 OF 7	