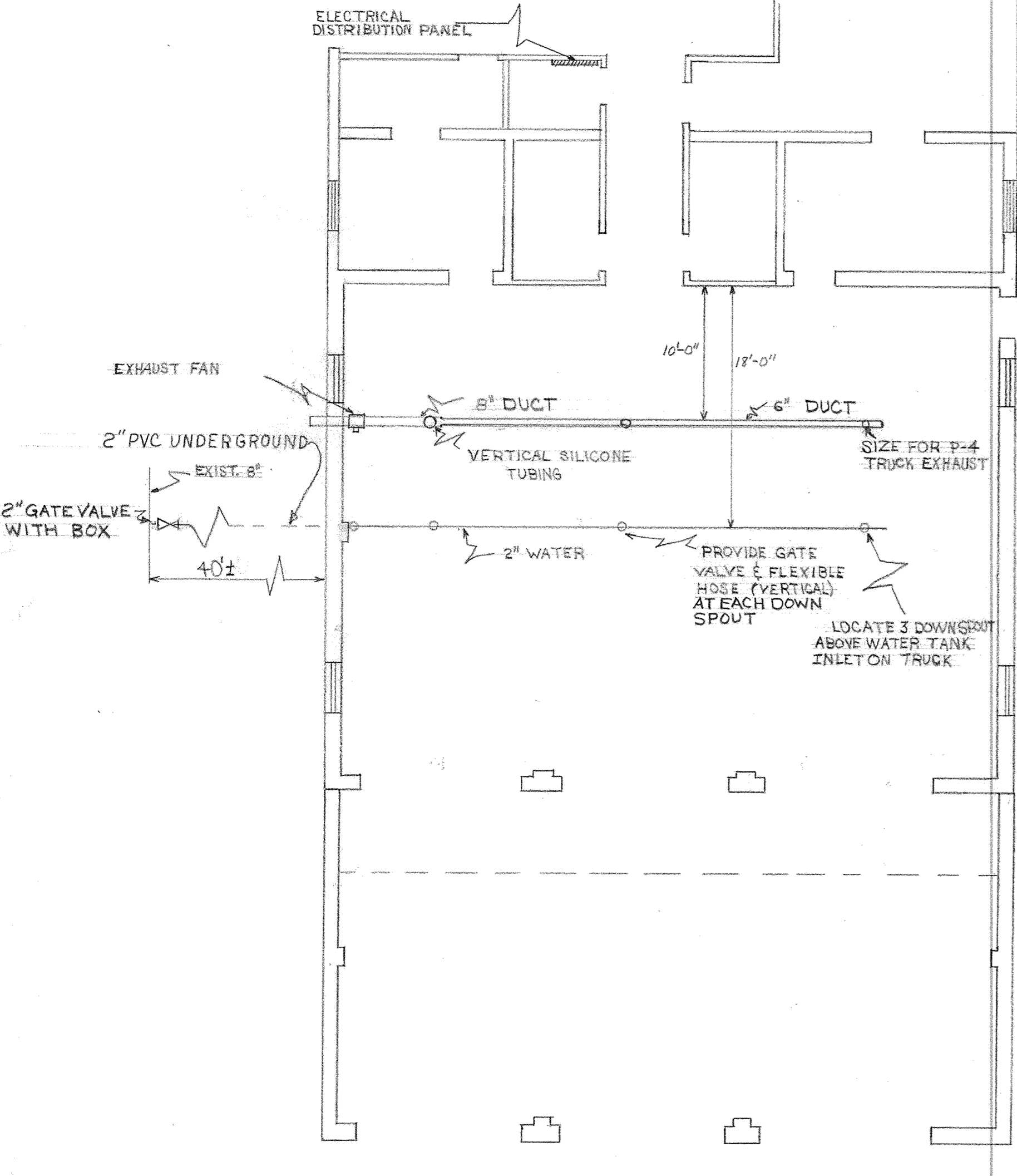
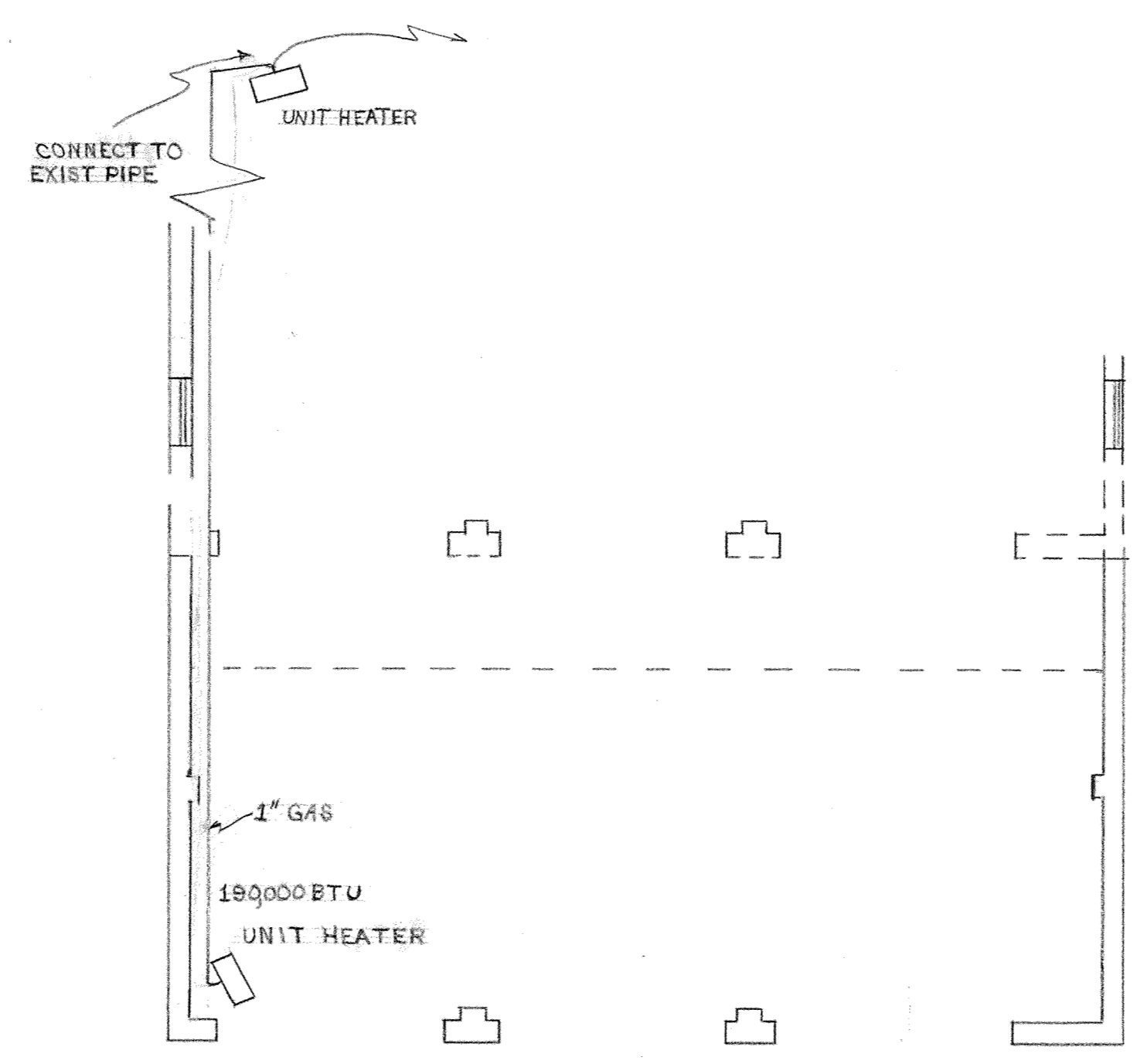


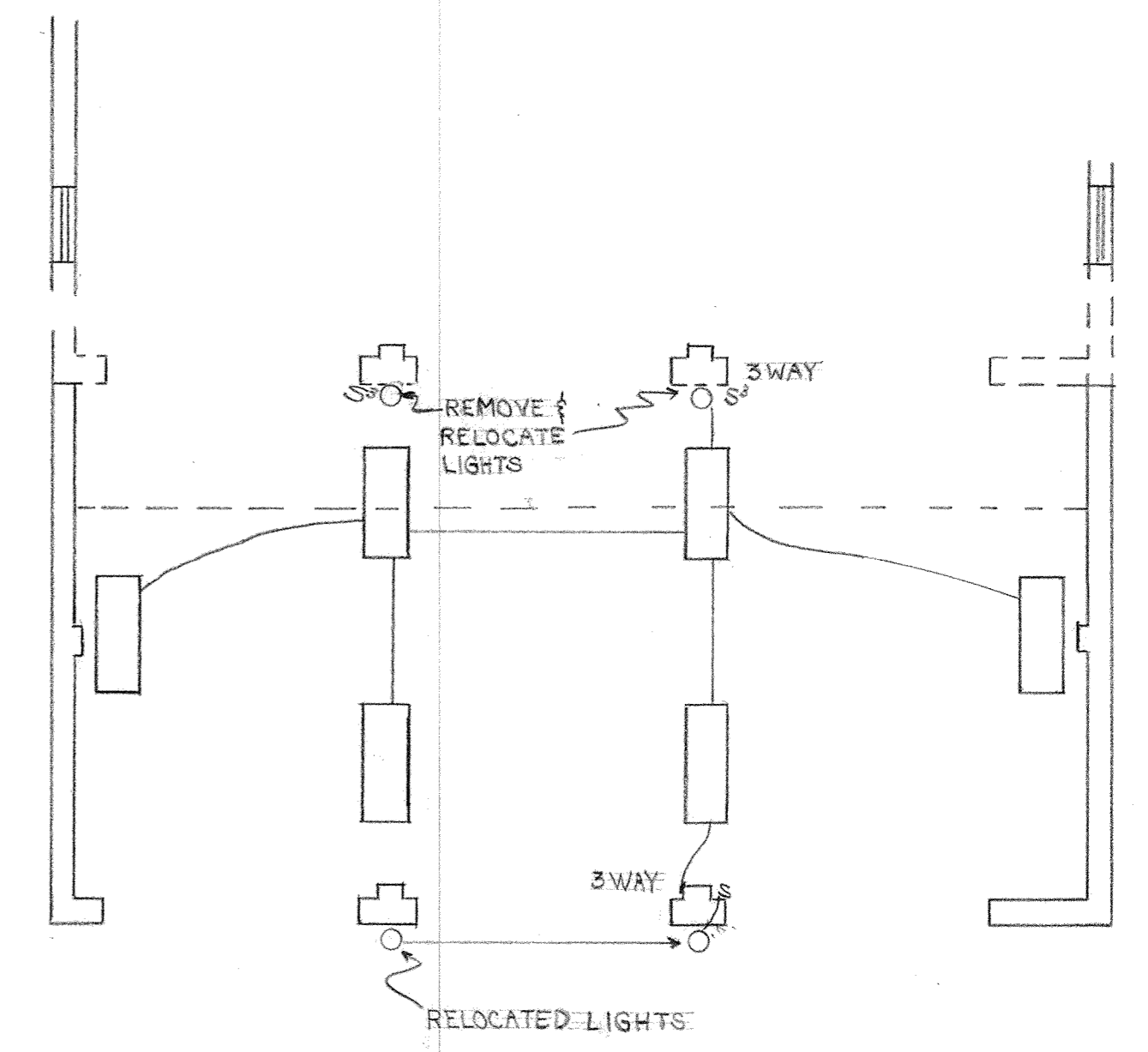
| REVISIONS |             |      |          |
|-----------|-------------|------|----------|
| LTR       | DESCRIPTION | DATE | APPROVED |



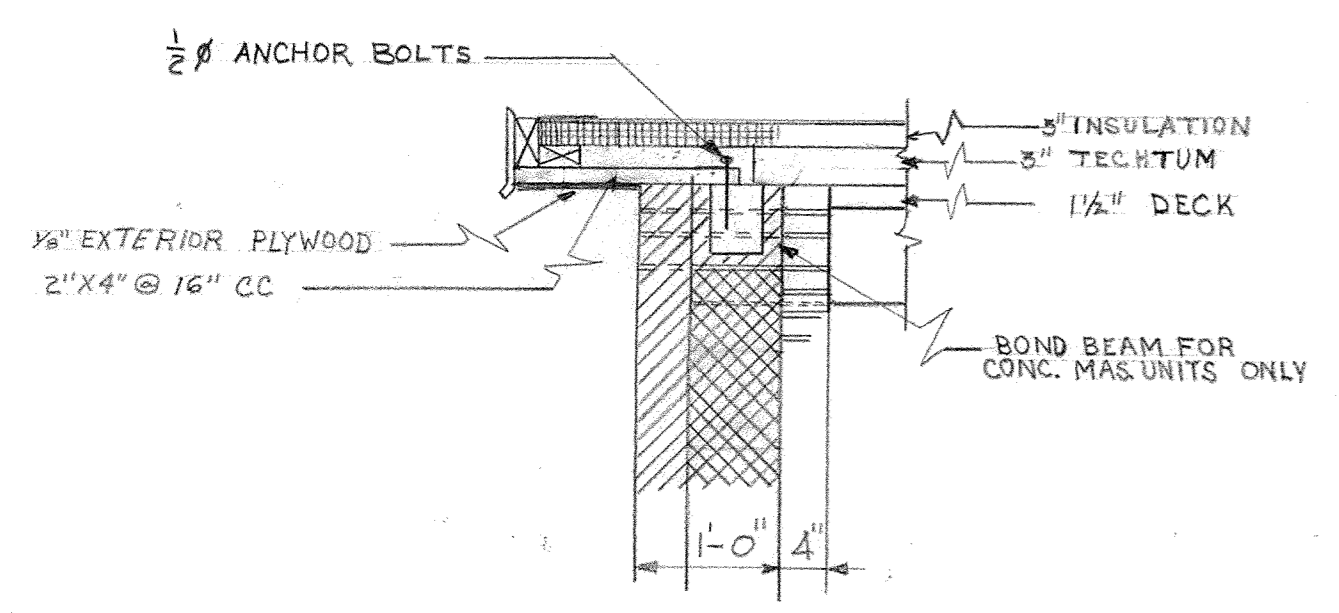
PLUMB & EXHAUST



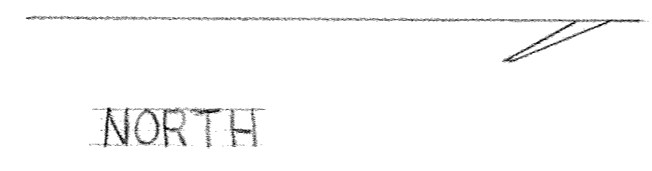
HEATING



ELECTRICAL



NORTH & SOUTH ROOF SECTION  
NOT TO SCALE



| SYMBOL                       | QUANTITY REQUIRED PER DASH NO. | NOMENCLATURE  | CODE IDENT | IDENTIFYING NO. | MATERIAL / SPECIFICATION             | UNIT WT     | ZONE | FIND NO. |
|------------------------------|--------------------------------|---------------|------------|-----------------|--------------------------------------|-------------|------|----------|
| <b>PARTS LIST</b>            |                                |               |            |                 |                                      |             |      |          |
|                              |                                |               |            |                 | <b>U.S. AIR FORCE</b>                |             |      |          |
|                              |                                |               |            |                 | TITLE                                |             |      |          |
|                              |                                |               |            |                 | P449 106 PROJECT FIRE STATION        |             |      |          |
|                              |                                |               |            |                 | CHK S MOTHERMAN                      |             |      |          |
|                              |                                |               |            |                 | EXTENSION, WATER SERVICE FOR         |             |      |          |
|                              |                                |               |            |                 | ENG HUTCHINSON                       |             |      |          |
|                              |                                |               |            |                 | FILLING P4, EXHAUST SYSTEM FOR P4    |             |      |          |
|                              |                                |               |            |                 | PROJECT 100 00015                    |             |      |          |
|                              |                                |               |            |                 | SIZE                                 |             |      |          |
|                              |                                |               |            |                 | AIR FORCE CODE IDENT NO. DRAWING NO. |             |      |          |
|                              |                                |               |            |                 | D                                    |             |      |          |
|                              |                                |               |            |                 | E3015                                |             |      |          |
|                              |                                |               |            |                 | SCALE 3/8" = 1'-0"                   |             |      |          |
|                              |                                |               |            |                 | SHEET 4 OF 4                         |             |      |          |
| CURRENT CODE IDENT NO.       |                                | NEXT ASSEMBLY |            | USED ON         |                                      | APPLICATION |      |          |
| ENGINEERING DRAWING LAYOUT D |                                |               |            |                 |                                      |             |      |          |