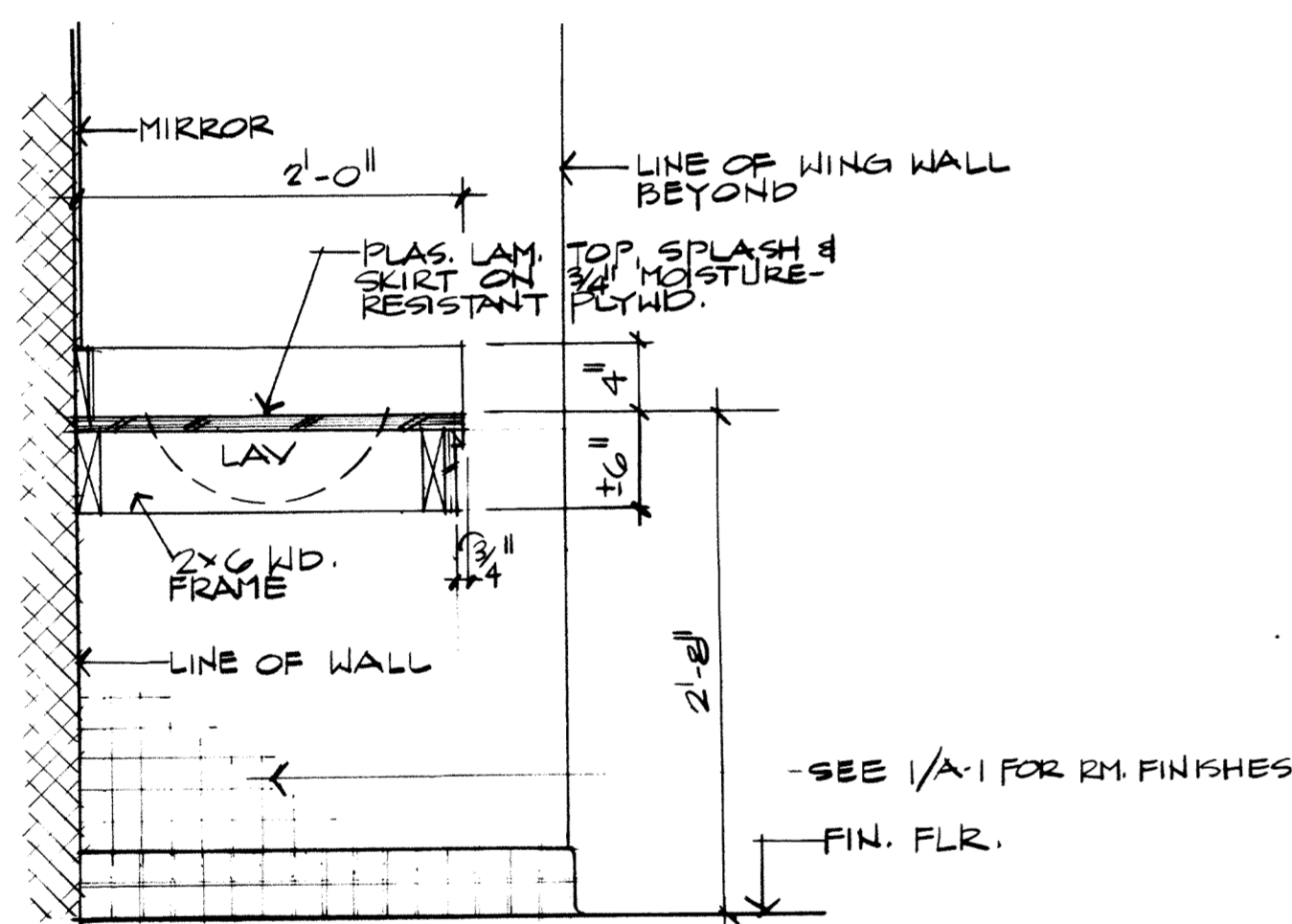
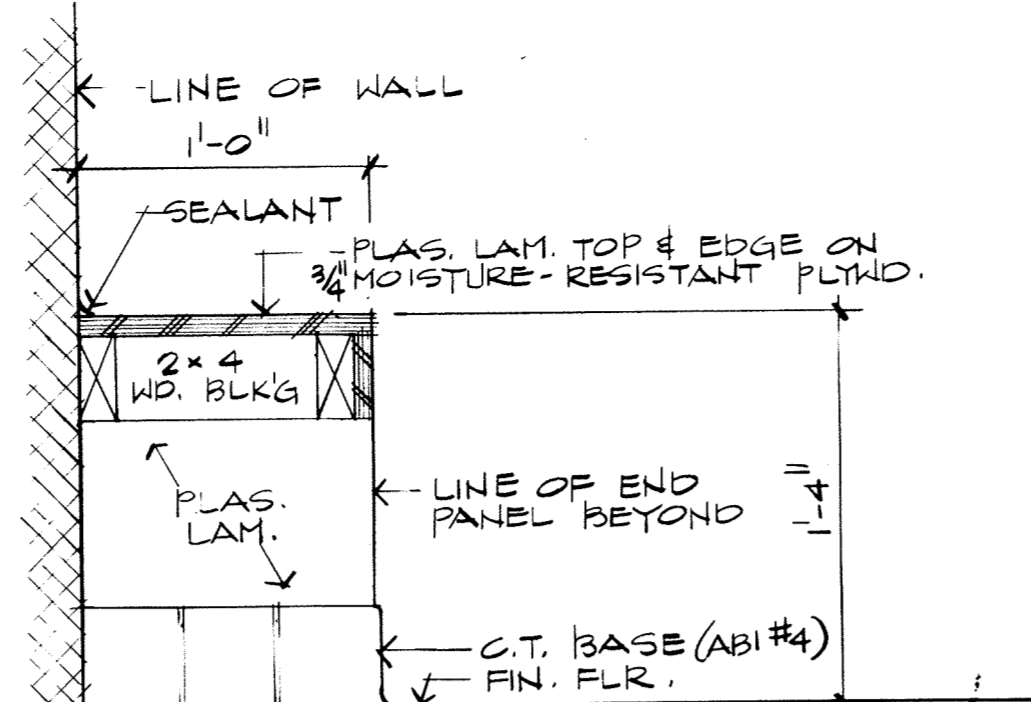


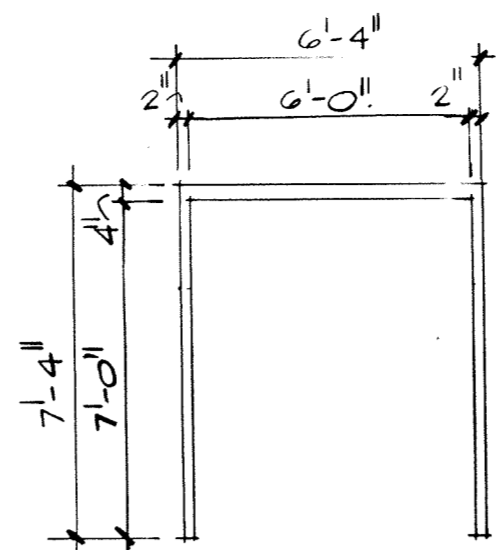
1 SECTION @ DISPLAY CASE
3/4" = 1'-0"



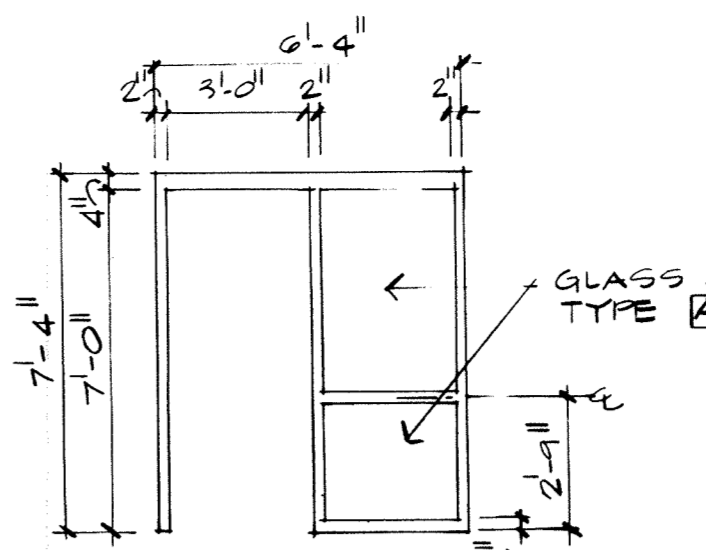
8 SECTION THRU LAV COUNTER
1" = 1'-0"



2 SECTION @ SHOWER SEAT
1 1/2" = 1'-0"

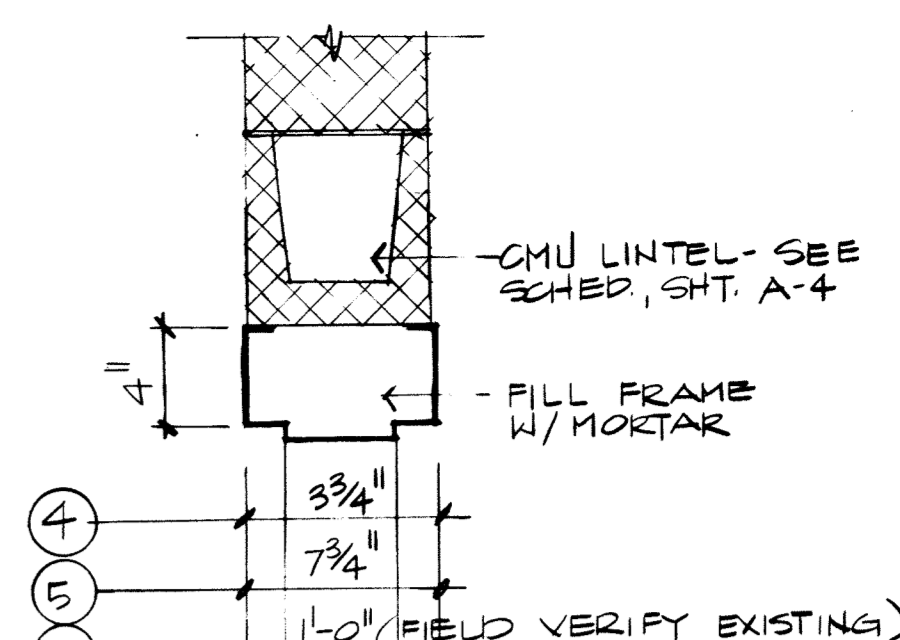


DR.101A
AL-1

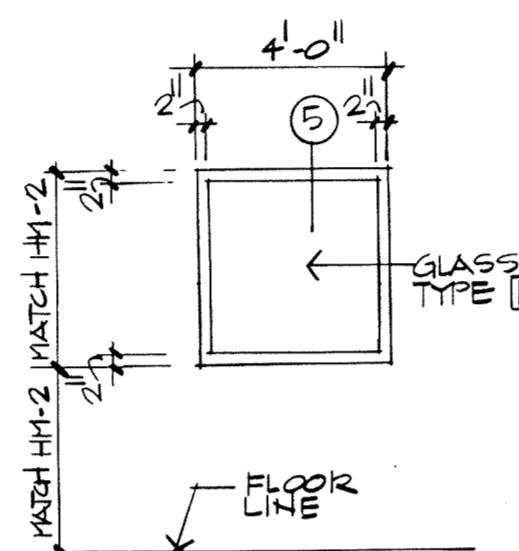


DR.111A
AL-2

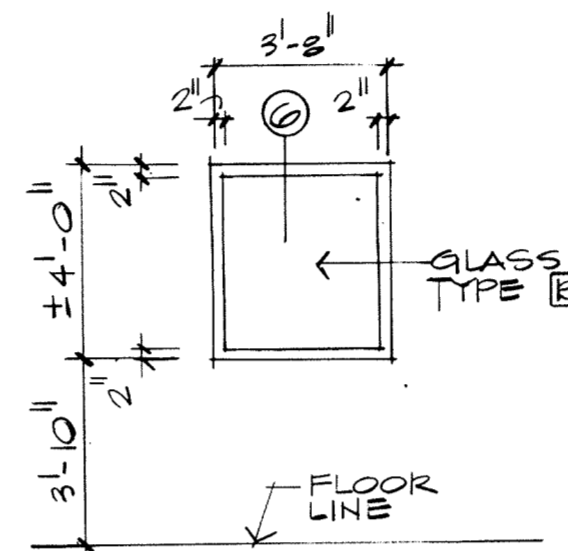
3 ALUM. FRAME ELEVATIONS
1/4" = 1'-0"



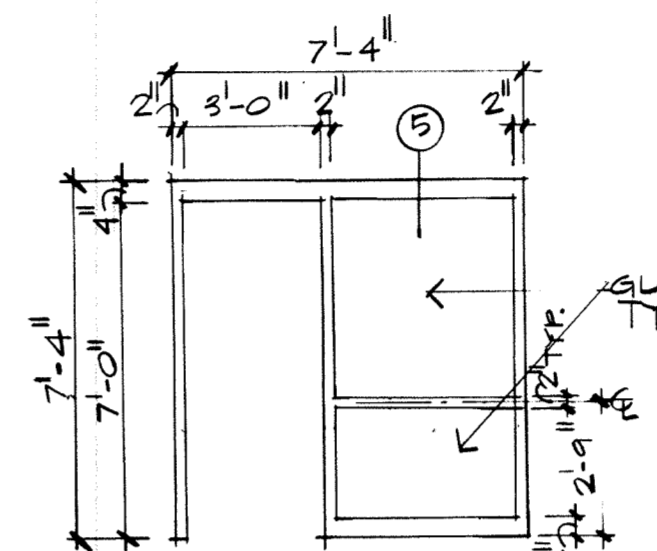
4 5 6 HEAD DTL - H.M. FRAME
1 1/2" = 1'-0"



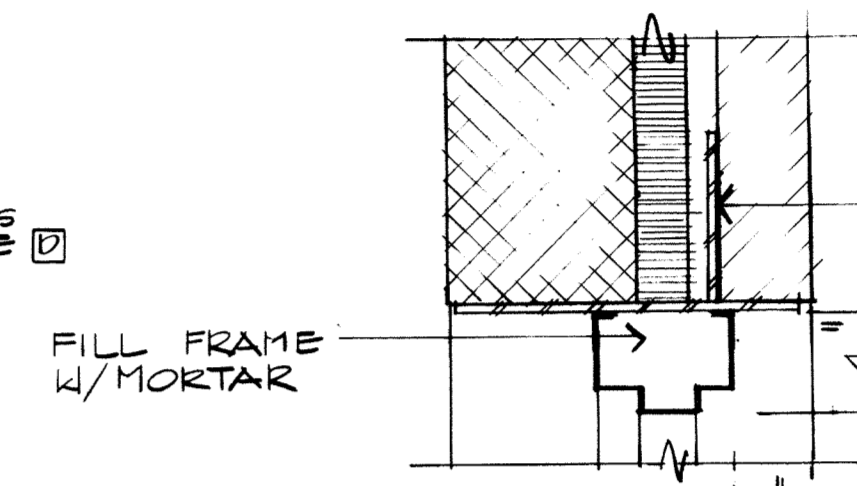
HM-1



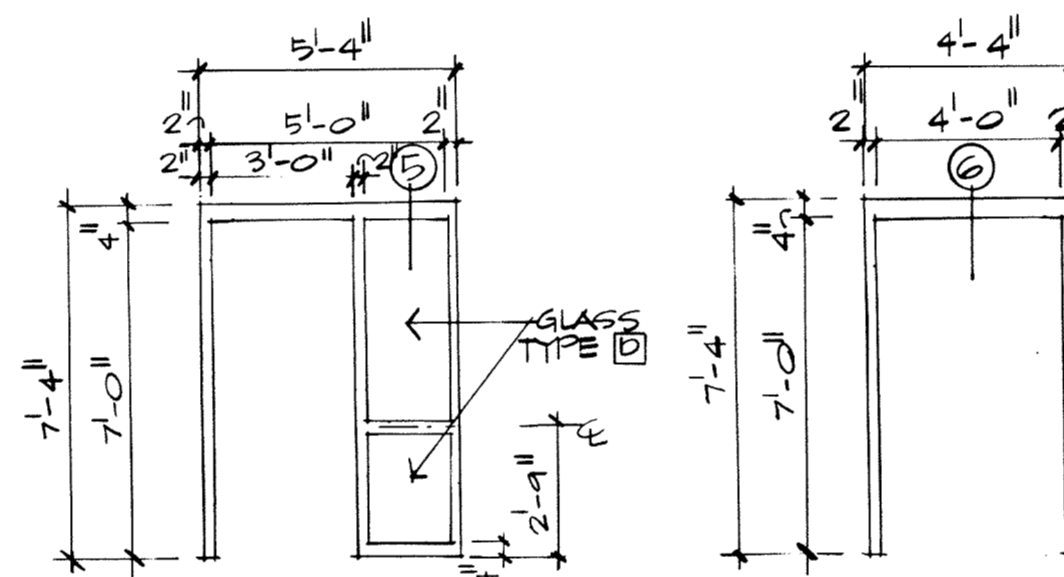
HM-2



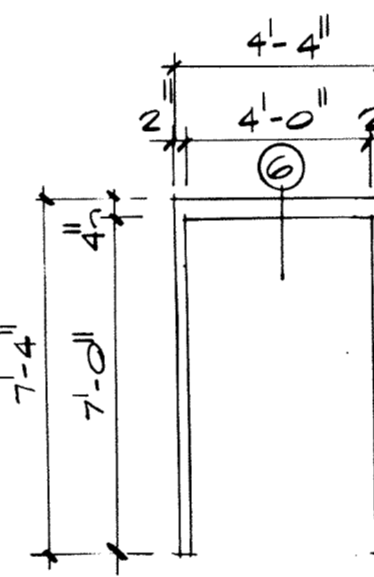
HM-3



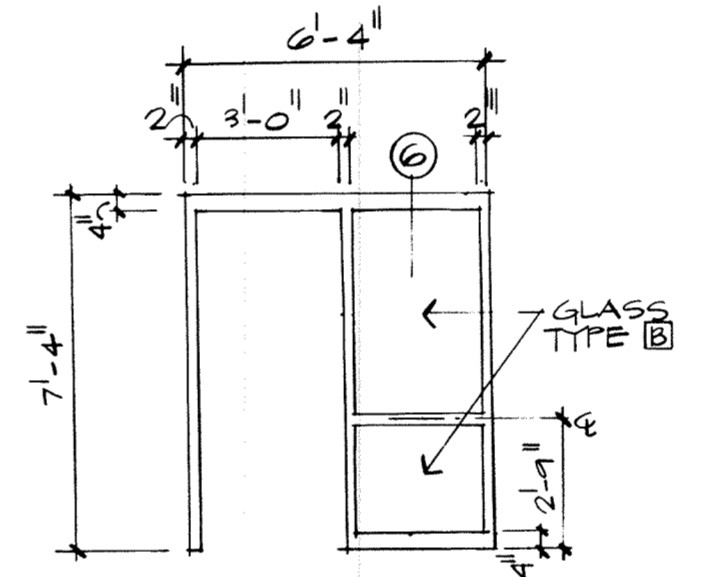
7 HEAD DTL - H.M. FRAME
1 1/2" = 1'-0"



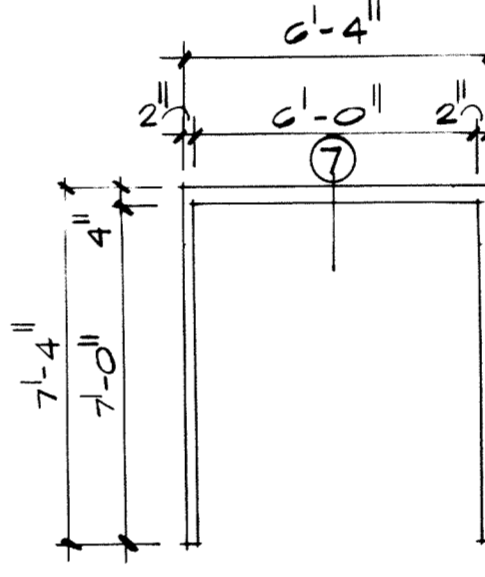
HM-4



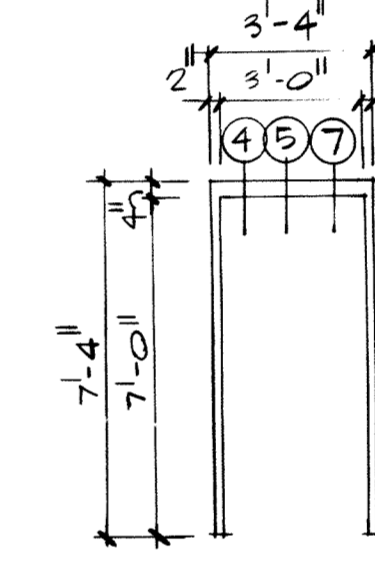
DR.110
HM-5



HM-6

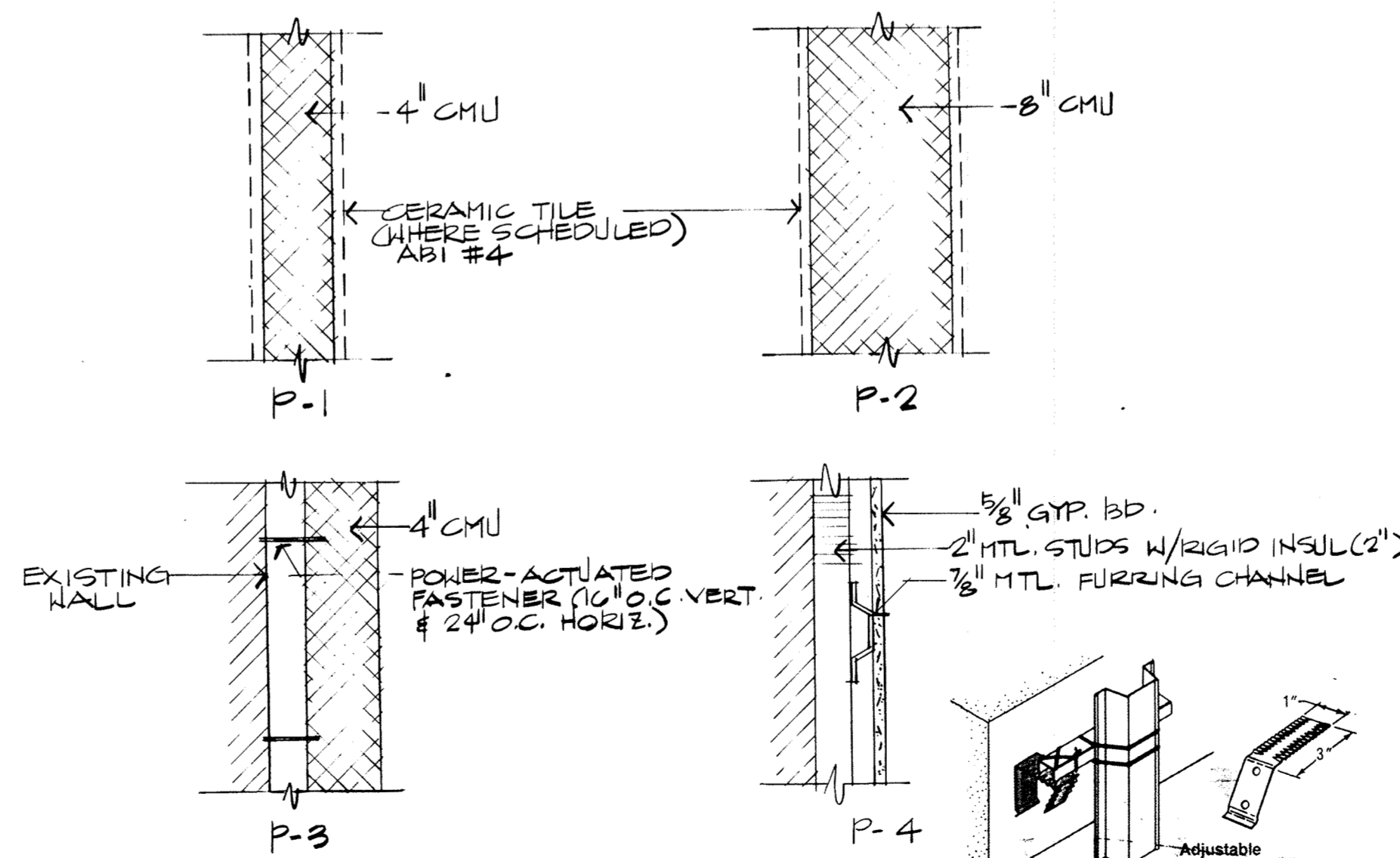


DR.128
HM-7

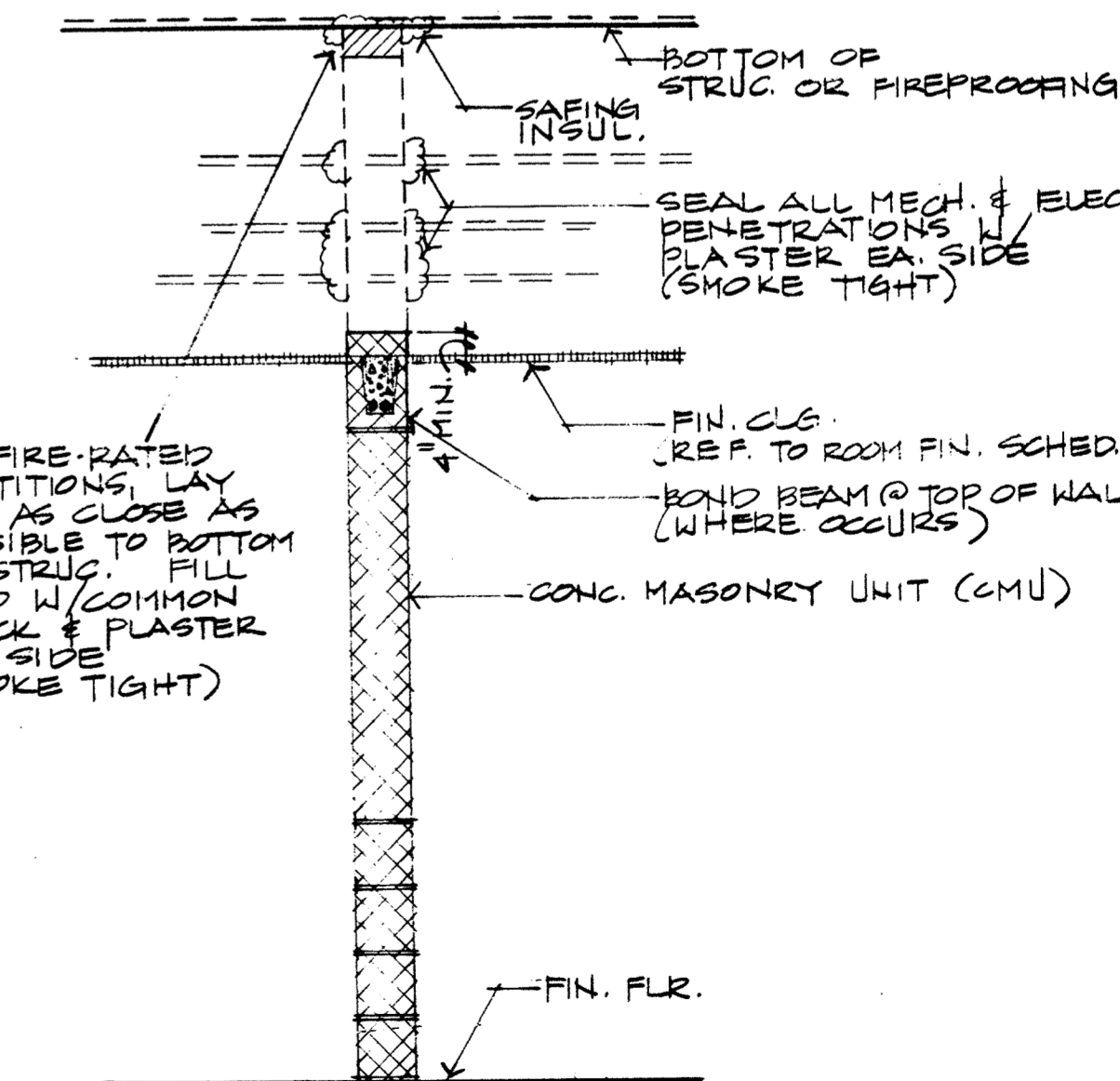


TYP.

9 HOLLOW METAL FRAME ELEVATIONS
1/4" = 1'-0"



10 PARTITION TYPES
1 1/2" = 1'-0"



11 CONC. BLOCK OR FIRE-RATED CONC. BLOCK PARTITION
NO SCALE



ADDITION / ALTERATION OF
FIRE STATION
ARKANSAS AIR NATIONAL GUARD
FORT SMITH, ARKANSAS

a+ architecture plus
120 North 9th Street • Fort Smith, Arkansas • 501/783-8395

REVISIONS:
NO CHANGES
FOR AS BUILT

PROJECT: 88-18

DATE: 7-24-89

SHT. A-7 OF 7

