

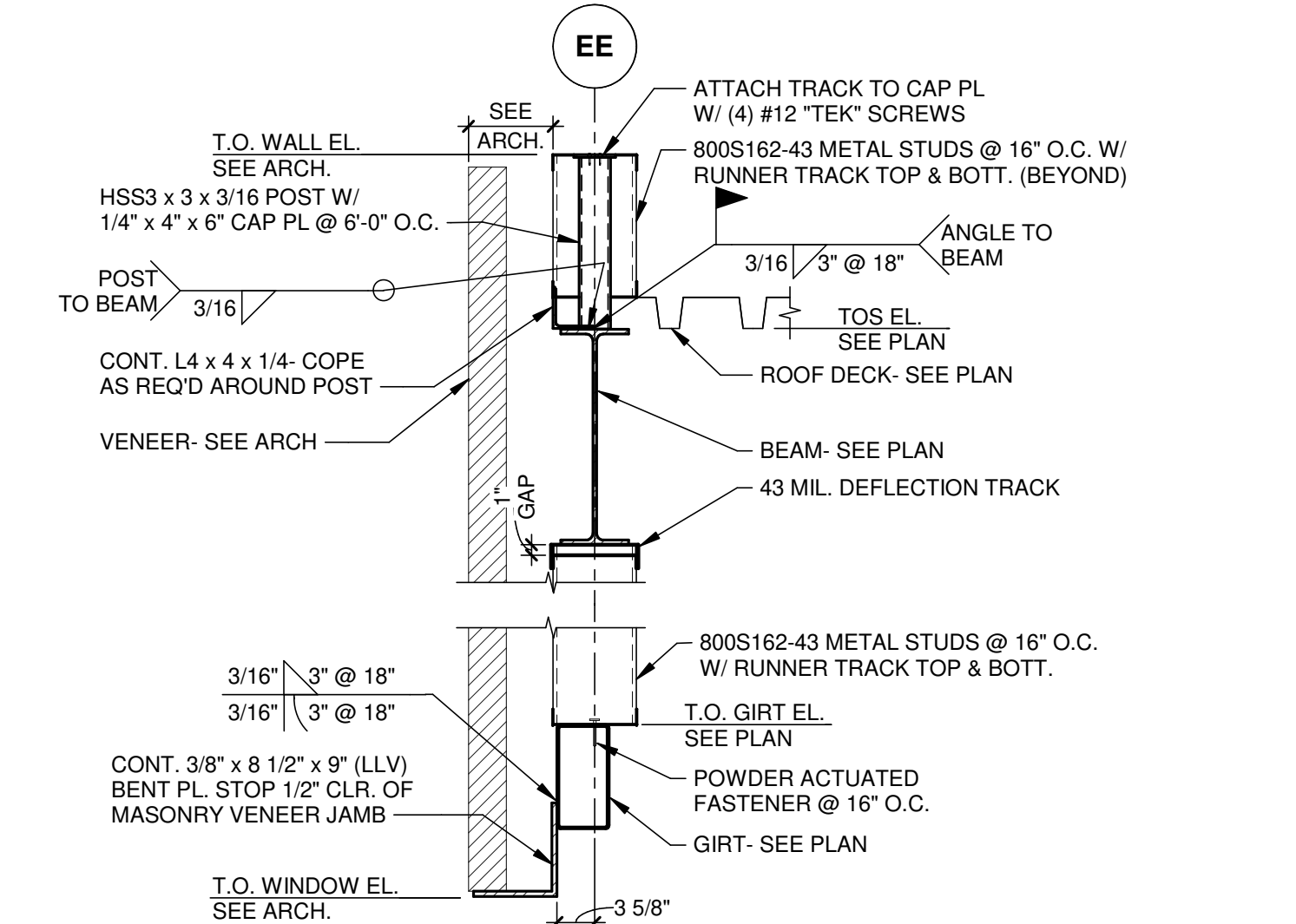
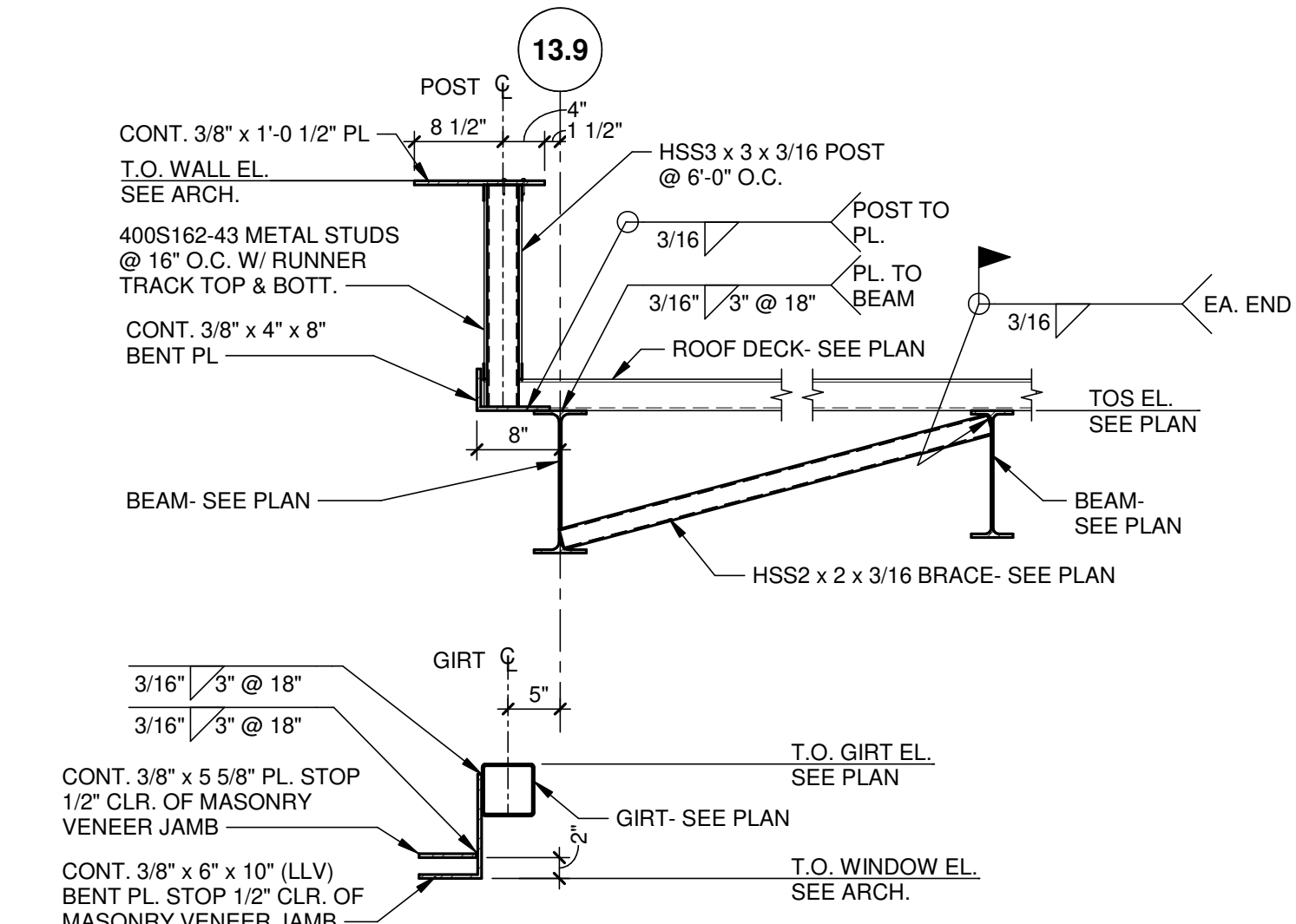
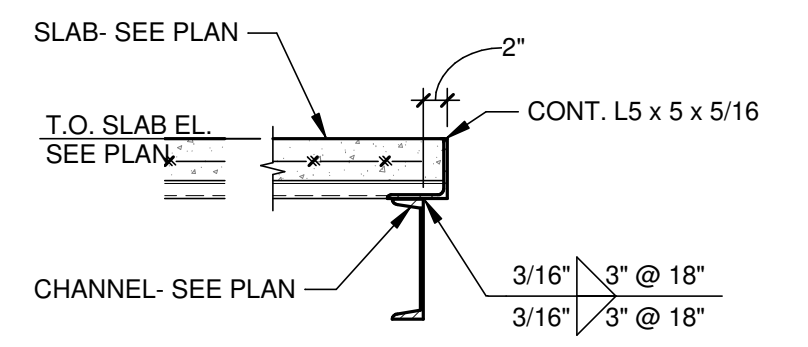
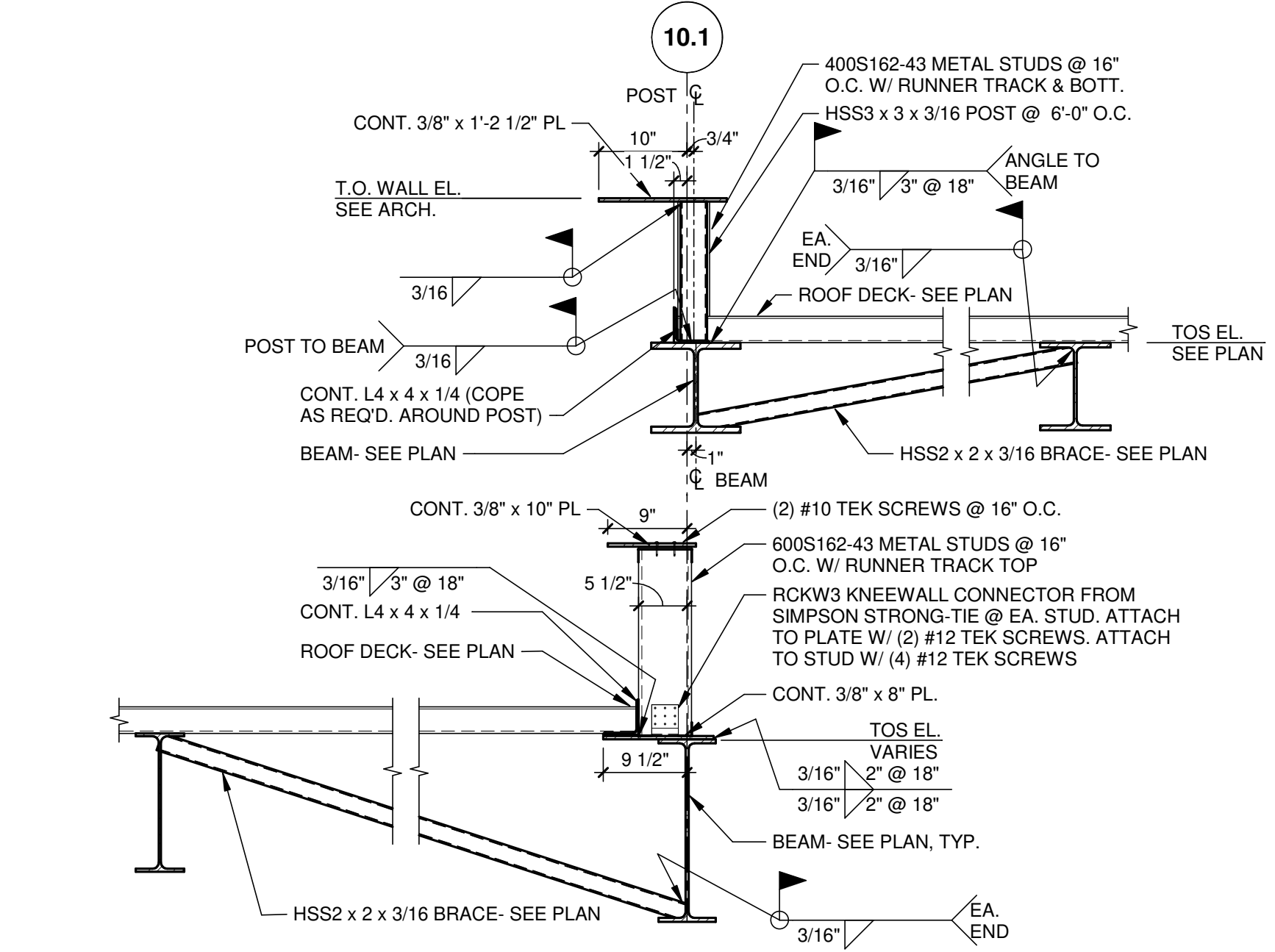
1 SECTION
3/4" = 1'-0"

2 SECTION
3/4" = 1'-0"

3 SECTION
3/4" = 1'-0"

4 SECTION
3/4" = 1'-0"

5 SECTION
3/4" = 1'-0"

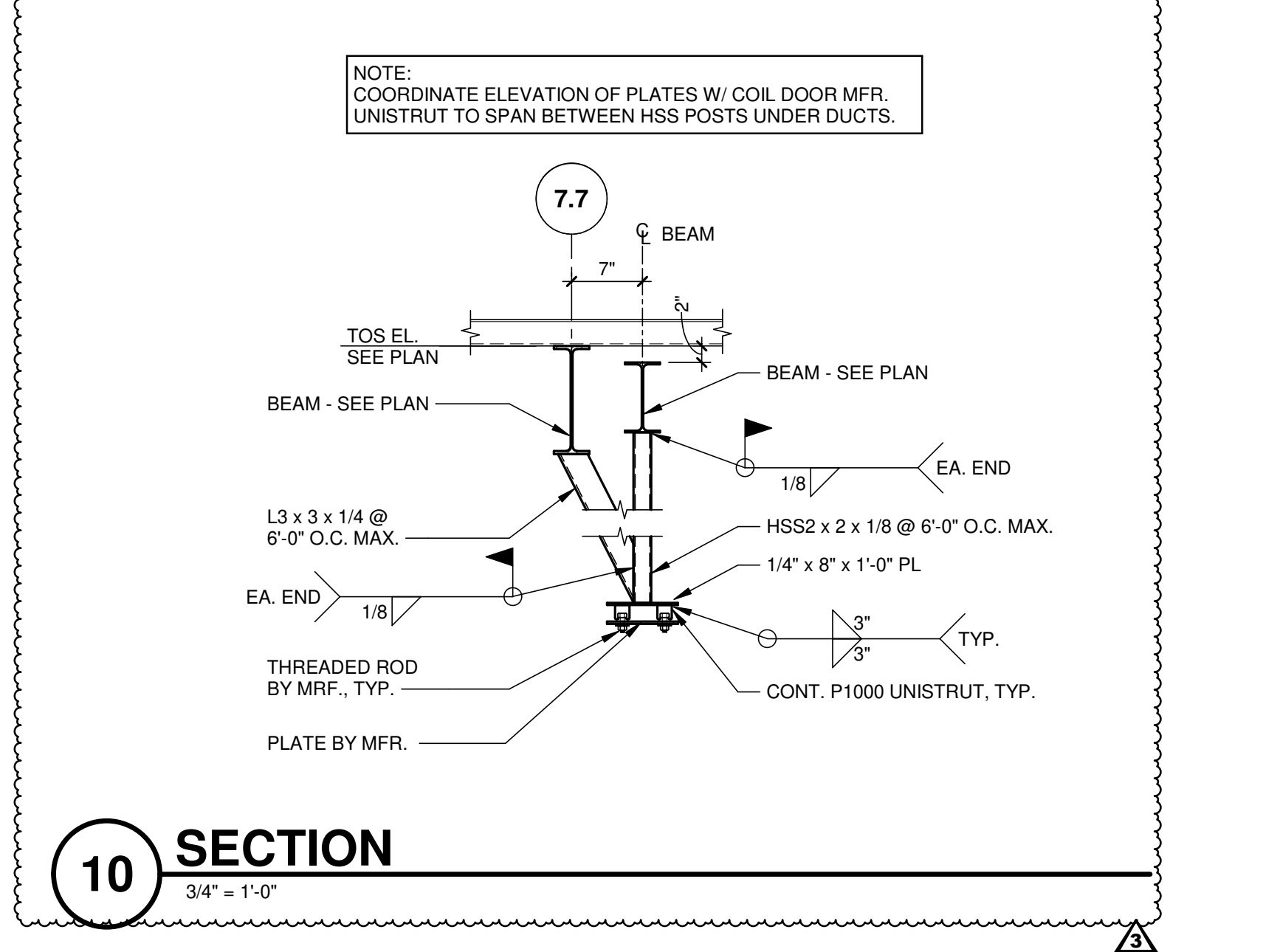


6 SECTION
3/4" = 1'-0"

7 SECTION
3/4" = 1'-0"

8 SECTION
3/4" = 1'-0"

9 SECTION
3/4" = 1'-0"



10 SECTION
3/4" = 1'-0"

Architecture and Interiors
MSRDesign
 510 Marquette Avenue South, Suite 200
 Minneapolis, MN 55402 | 612.375.0336

Associate Architect
Hight Jackson Associates PA
 5201 W Village Pkwy #300
 Rogers, AR 72758 | 479.464.4965

Civil Engineer
E | D | G
 216 West Birch Street
 Rogers, AR 72758 | 501.378.0200

Landscape Architect
TEN x TEN
 575 SE 9th St #210
 Minneapolis, MN 55414 | 612.440.8369

Structural Engineer
Tatum-Smith-Welcher Structural Engineers
 3100 S Market St #202
 Rogers, AR 72758 | 479.621.6128

MEP Engineer
HP Engineering, Inc.
 5504 W. Pinnacle Point Dr., Suite 200
 Rogers, AR 72758 | 479.899.6370

Project No. 2021037

Bentonville Public Library Expansion
 405 S Main Street
 Bentonville, AR 72712



BID SET

ISSUE / REVISION

Mark	Date	Description
121	12/10/2021	SCHEMATIC DESIGN PRICING
0622	06/22/2022	DESIGN DEVELOPMENT PRICING
1024	10/24/2022	60% CD PRICING
1221	12/21/2022	PERMIT SET
0106	01/06/2023	BID SET
3	05/30/2023	ASH-03