

*Quality People. Building Solutions.*

Comfort Systems USA (Arkansas), Inc.  
P.O. Box 16620  
Little Rock, AR 72231  
Phone 501-834-3320  
Fax 501-834-5416

**Date:** 8/14/2023

**Return Request:** 8/24/2023

**Project:** Southside HS & JH Additions

**Supplier:** Airetech

**Manufacturer:** LG

**Submittal:** 23 00 00-02

**Submittal Number:** Mini-Split Systems

**Drawing # and Installation:** Mechanical Drawings

**ARCHITECT**

Lewis Architects Engineers  
11225 Huron Lane, Suite 104  
Little Rock, AR 72211  
501-223-9302

**ENGINEER**

Lewis Architects Engineers  
11225 Huron Lane, Suite 104  
Little Rock, AR 72211  
501-223-9302

**GENERAL CONTRACTOR**

Nabholz  
612 Garland St.  
Conway, AR 72032  
501-505-5800

**MECHANICAL SUBCONTRACTOR**

Comfort Systems USA (Arkansas), Inc.  
9924 Landers Rd.  
N. Little Rock, AR 72117  
501-834-3320

Notes:

**CSUSA PROJECT NO.**

**23-8009**

[dpierce@comfortar.com](mailto:dpierce@comfortar.com)

9924 Landers Rd.  
No. Little Rock, AR 72117



## **SUBMITTAL DATA**

EQUIPMENT: Mini-Split Systems

SPEC SECTION: No Spec Section

TAGS: DSFC/DSCU1-1,1-2,1-3,1-4,1-5,1-6,2-1 & 2-2

PROJECT: Southside High School and Junior High Additions

LOCATION: Batesville, AR

ENGINEER:



CONTRACTOR:



DATE: 7/26/2023

SUBMITTED BY: Forrest Moseley  
forrest@airetechcorp.com  
501-425-6112

Date: 7/24/2023

For:  File  Resubmit  
 Approval  Other\_\_\_\_\_

PO No.:

Architect: Lewis Architects and Engineers

GC: TBD

Engr: Lewis Architects and Engineers

Mech: Comfort Systems USA

Rep: Airetech Corporation

Nick Moore

(Company)

(Project Manager)

## LS243HLV3

Single Zone Extended Piping Wall Mount

Outdoor Unit (ODU) - LSU243HLV3, Indoor Unit (IDU) - LSN243HLV3

### Performance:

#### Cooling:

Cooling Capacity (Min~Rated~Max) (Btu/h)	3,070~22,000~30,000
SEER2	22
EER2	13

SEER - Seasonal Energy Efficiency Ratio

EER - Energy Efficiency Ratio

#### Heating:

Heating Capacity (Min~Rated~Max) (Btu/h)	3,070~26,000~36,200
HSPF2	9.5
Max. Heating @ Indoor 70°F DB	
Outdoor 19°F DB / 17°F WB	27,360 (105%)
Outdoor 6°F DB / 5°F WB	23,700 (91%)
Outdoor -3°F DB / -4°F WB	21,170 (81%)

HSPF - Heating Seasonal Performance Factor

Cooling Nominal Test Conditions:

Indoor: 80°F DB / 67°F WB

Outdoor: 95°F DB / 75°F WB

Heating Nominal Test Conditions:

Indoor: 70°F DB / 60°F WB

Outdoor: 47°F DB / 43°F WB

#### Outdoor Unit:

MOP (A)	30
MCA (A)	19
Cooling / Heating Rated Amps (A)	14.81
Compressor (A)	14.41
Fan Motor (A)	0.4

MOP - Maximum Overcurrent Protection

MCA - Minimum Circuit Ampacity

#### Total Power Input:

Cooling Power Input (kW)	1.69
Heating Power Input (kW)	2.08

#### Piping:

Liquid Line (in., O.D.)	ø3/8 Flare
Vapor Line (in., O.D.)	ø5/8 Flare
Additional Refrigerant (oz./ft.)	0.38
Min. / Max. Pipe Length (ft.) <sup>2</sup>	9.8 / 164
Piping Length (no add'l refriger., ft.)	24.6
Max. Elevation (ft.)	98.4

#### Features:

- 24-Hour on/off timer
- 4-Way auto swing
- Auto changeover
- Auto restart
- Jet cool/Jet heat
- Built-in low ambient standard, down to 14°F (cooling mode)
- Condensate Sensor Connection
- Inverter (variable speed compressor)
- Smart Diagnosis
- Washable Filter
- Self-cleaning indoor coil
- Built-in base pan heater
- Built-in Wi-Fi via Smart ThinQ app

#### Optional Accessories:

- Low Ambient Wind Baffle (Cooling operation to 0°F) - ZLABGP04A
- MultiSITE Comm. Mgr. - PBACNBTR0A
- Simple Remote Controller - PREMT000U
- PI-485 - PMNFP14A1
- Premium Remote Controller - PREMTA000
- AC Smart 5 - PACS5A000
- MultiSITE™ CRC1 - PREMTBVC0
- ACP 5 - PACP5A000
- MultiSITE CRC1+ - PREMTBVC1
- Dry Contact - PDRYCB100/300/400

For a complete list of available accessories, contact your LG representative.

For continual product development, LG reserves the right to change specifications without notice.

© LG Electronics U.S.A., Inc., Englewood Cliffs, NJ. All rights reserved. "LG Life's Good" is a registered trademark of LG Corp. /www.lghvac.com



### Operating Range:

#### Outdoor Unit:

Cooling (°F DB)	14 ~ 118
Heating (°F WB)	-4 ~ +65

#### Indoor Unit:

Cooling (°F WB)	53 ~ 75
Heating (°F DB)	64 ~ 86

### Electrical:

Power Supply (V/Hz/Ø)	208-230/60/1
-----------------------	--------------

### System Data:

Refrigerant Type	R410A
Refrigerant Control	EEV
Refrigerant Charge (lbs.)	4.85
ODU Sound Pressure (Cooling / Heating) (±1 dB[A]) <sup>3</sup>	55 / 56
IDU Sound Pressure Cooling (H/M/L/Sleep) (±1 dB[A]) <sup>3</sup>	49 / 44 / 40 / 30
Heating (H/M/L) (±1 dB[A]) <sup>3</sup>	49 / 44 / 40
ODU Net / Shipping Weight (lbs.)	135.4 / 147.7
IDU Net / Shipping Weight (lbs.)	36.6 / 44.5
Heat Exchanger Coating	GoldFin™

### Fan:

ODU Type	Propeller
IDU Type	Cross Flow
Fan Speeds (Fan/Cool/Heat)	6 / 6 / 6
Quantity (ODU + IDU)	1 + 1
Motor/Drive	Brushless Digitally Controlled/Direct
ODU Max. Air Flow Rate (CFM)	2,119
IDU Air Flow Cooling, Max/H/M/L (CFM)	813 / 601 / 495 / 389
Heating, Max/H/M/L (CFM)	919 / 707 / 601 / 495
Dehumidification (pts./hr.)	4.65

### Notes:

1. Acceptable operating voltage: 187V-253V.
2. Piping lengths are equivalent.
3. Sound Pressure levels are tested in an anechoic chamber under ISO Standard 3745.
4. All communication / connection (power) cable from the outdoor unit to the indoor unit is field supplied and must be a minimum of four-conductor, 14 AWG, stranded, shielded or unshielded (if shielded, it must be grounded to the chassis of the outdoor unit only), and must comply with applicable local and national codes.
5. See Engineering Manual for sensible and latent capacities.
6. Power wiring cable size must comply with the applicable local and national code.
7. The indoor unit comes with a dry helium charge.
8. This data is rated 0 ft. above sea level, with 24.6 ft. of refrigerant line and a 0 ft. level difference between outdoor and indoor units.
9. Must follow installation instructions in the applicable LG installation manual.



# LS243HLV3

## Single Zone Extended Piping Wall Mount

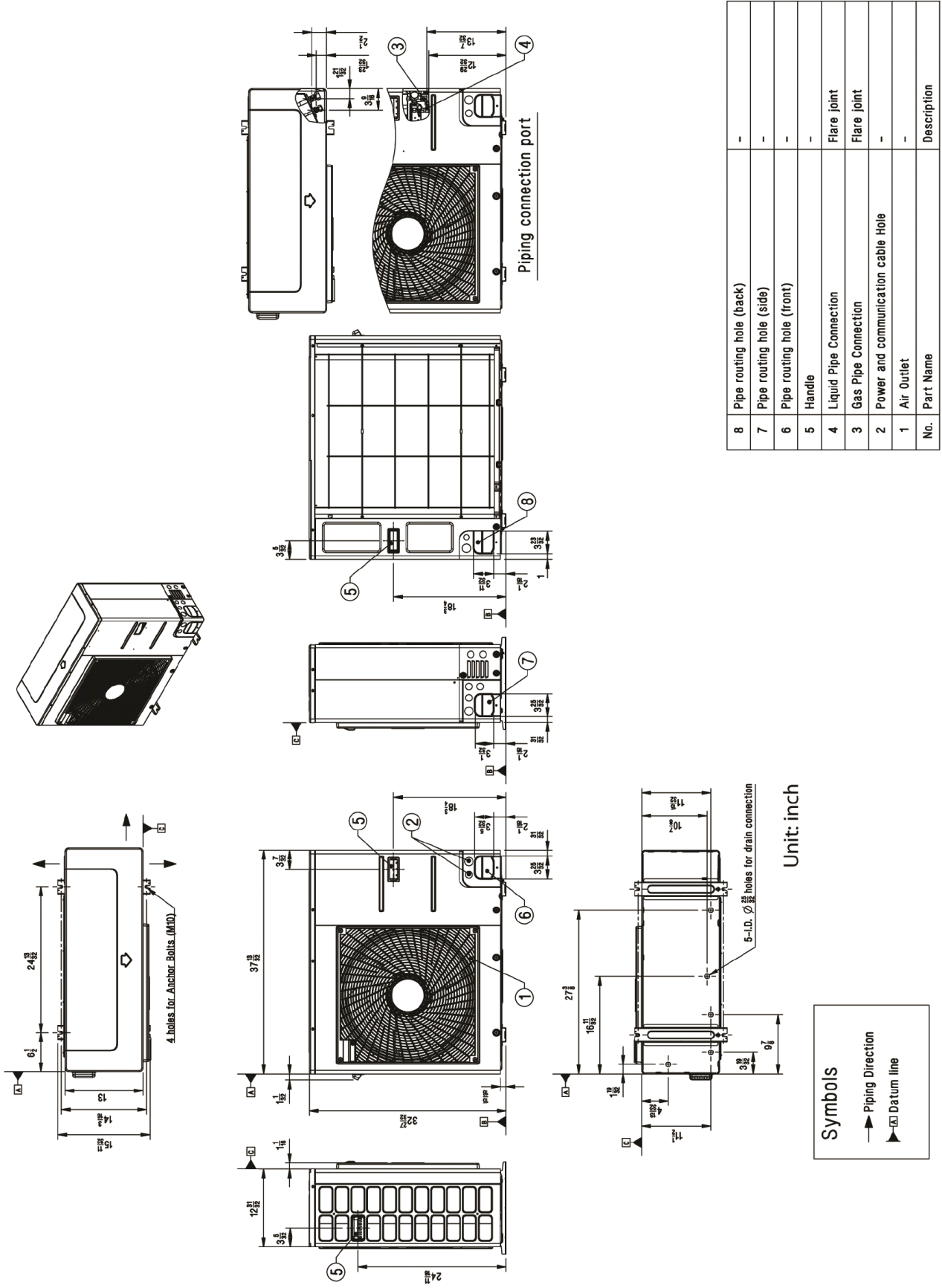
Outdoor Unit (ODU) - LSU243HLV3, Indoor Unit (IDU) - LSN243HLV3



Tag No.:

Date: 7/24/2023

PO No.:



Nc.	Part Name	Description
8	Pipe routing hole (back)	-
7	Pipe routing hole (side)	-
6	Pipe routing hole (front)	-
5	Handle	-
4	Liquid Pipe Connection	Flare joint
3	Gas Pipe Connection	Flare joint
2	Power and communication cable Hole	-
1	Air Outlet	-

Unit: inch

**Symbols**

- Piping Direction
- ▲ Datum line



Date: 7/24/2023

For:  File  Resubmit  
 Approval  Other

PO No.:

Architect: Lewis Architects and Engineers

GC: TBD

Engr: Lewis Architects and Engineers

Mech: Comfort Systems USA

Rep: Airetech Corporation

Nick Moore

(Company)

(Project Manager)



## LC128HV4

### Ceiling Cassette Single Zone

Outdoor Unit (ODU) - LUU127HV Indoor Unit (IDU) - LCN128HV4

#### Performance:

##### Cooling:

Cooling Capacity (Min~Rated~Max) (Btu/h)	3,400 ~ 11,100 ~ 12,400
SEER2	19.40
EER2	12.60

SEER - Seasonal Energy Efficiency Ratio

EER - Energy Efficiency Ratio

##### Heating:

Heating Capacity (Min~Rated~Max) (Btu/h)	2,800 ~ 14,000 ~ 15,500
HSPF2	10.35
Max. Heating @ Indoor 70°F DB	11900
Outdoor 17°F DB	10700
Outdoor 5°F DB	9280
Outdoor -4°F DB	

HSPF - Heating Seasonal Performance Factor

#### Electrical:

Power Supply (V/Hz/Ø)	208-230/60/1
MOP (A)	15
MCA (A)	12.3
Cooling Rated Amps (A)	10.05
Heating Rated Amps (A)	10.05
Compressor (A)	9.0
Fan Motor (IDU + ODU) (A)	1.05
Cooling Power Input (kW)	0.88
Heating Power Input (kW)	1.19

MOP - Maximum Overcurrent Protection

MCA - Minimum Circuit Ampacity

#### Piping:

Liquid (in., O.D., Connection Size/Pipe Size)	1/4 / 1/4
Vapor (in., O.D., Connection Size/Pipe Size)	3/8 / 3/8
Additional Refrigerant (oz./ft.)	0.22
Max. Pipe Length (ft.) <sup>2</sup>	66
Piping Length (no add'l refrig., ft.)	25
Max. Elevation (ft.)	49

#### Features:

- Inverter (Variable Speed Compressor)
- Internal Condensate Pump
- Swirl Wind
- Jet Cool
- IDU compatible with Multi F ODUs
- Auto Restart
- Auto Changeover
- Ultra-quiet Turbo Fan
- Optional Wi-Fi Control

#### Required Accessories:

- Cassette Grille - PT-QCHW0 or PT-UQC

#### Optional Accessories:

- Simple Controller with Mode (White) - PREMT00U
- MultiSITE™ CRC1 / CRC1+ - PREMTBVC0 / PREMTBVC1
- PI-485 - PMNFP14A1
- Ventilation Kit<sup>3</sup> - PTVK430
- Wi-Fi Module - PWFMD200
- Low Ambient Wind Baffle (Cooling operation to -4°F) - ZLABGP01A

#### Operating Range:

##### Outdoor Unit:

Cooling (°F DB)	0 - 118
Heating (°F WB)	-4 ~ +64

##### Indoor Unit:

Cooling (°F WB)	57 ~ 77
Heating (°F DB)	59 ~ 81

#### System Data:

Refrigerant Type	R410A
Refrigerant Control	EEV
Refrigerant Charge (lbs.)	2.43
IDU Sound Pressure (H/M/L) (±3 dB[A]) <sup>3</sup>	36/35/32
ODU Sound Pressure Max. (Cooling / Heating) (±3 dB[A]) <sup>3</sup>	49/52
ODU Net / Shipping Weight (lbs.)	82 / 89
IDU Net / Shipping Weight (lbs.)	31 / 40
Grille Net / Shipping Weight (lbs.)	7 / 9

#### Fan:

ODU Type	Propeller
IDU Type	Turbo
Fan Speeds (Fan/Cool/Heat)	4 / 5 / 4
Quantity (ODU + IDU)	(1 + 1)
Motor/Drive	Brushless Digitally Controlled/Direct
ODU Air Flow Rate (CFM)	988
IDU Air Flow (CFM H/M/L)	335 / 283 / 247
Dehumidification (pts./hr.)	2.47

#### Notes:

1. Acceptable operating voltage: 187V-253V.
2. Piping lengths are equivalent.
3. Must comply with applicable codes for fire isolation dampers.
4. Sound Pressure levels are tested in an anechoic chamber under ISO Standard 3745.
5. All communication/power cable to be minimum 18 American wire gauge (AWG), 4-conductor, stranded, shielded and must comply with applicable local and national code.
6. This unit comes with a dry helium charge.
7. Nominal data is rated 0 ft. above sea level, with 25 ft. of refrigerant line and a 0 ft. level difference between outdoor and indoor units.
8. Power wiring cable size must comply with the applicable local and national code.
9. Must follow installation instructions in the applicable LG installation manual.
10. Multi-compatible IDUs include socket adapters for refrigerant pipe connection with Single Zone systems.



# LC128HV4

## Ceiling Cassette Single Zone

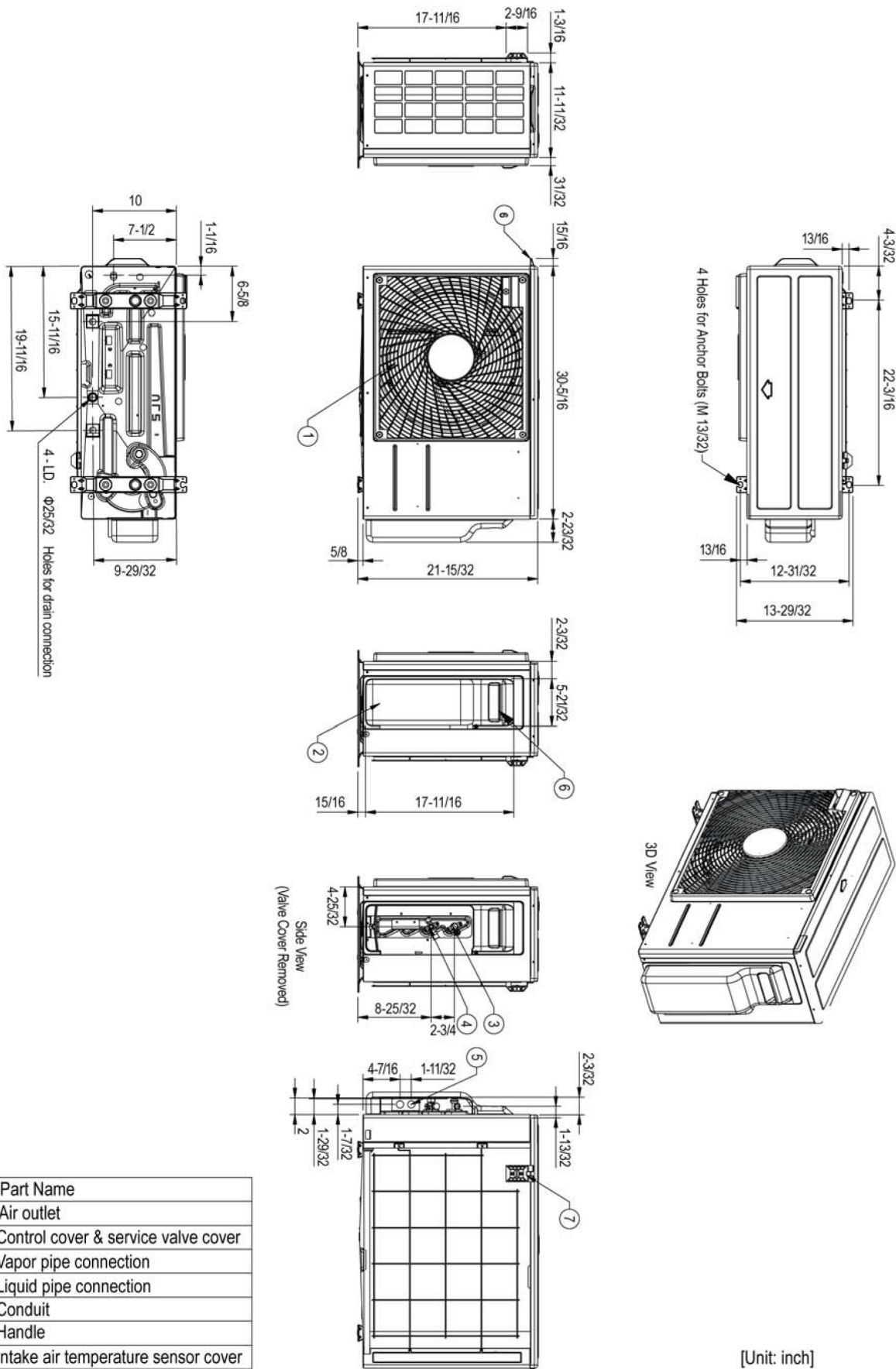
Outdoor Unit (ODU) - LUU127HV Indoor Unit (IDU) - LCN128HV4



Tag No.: \_\_\_\_\_

Date: 7/24/2023

PO No.: \_\_\_\_\_



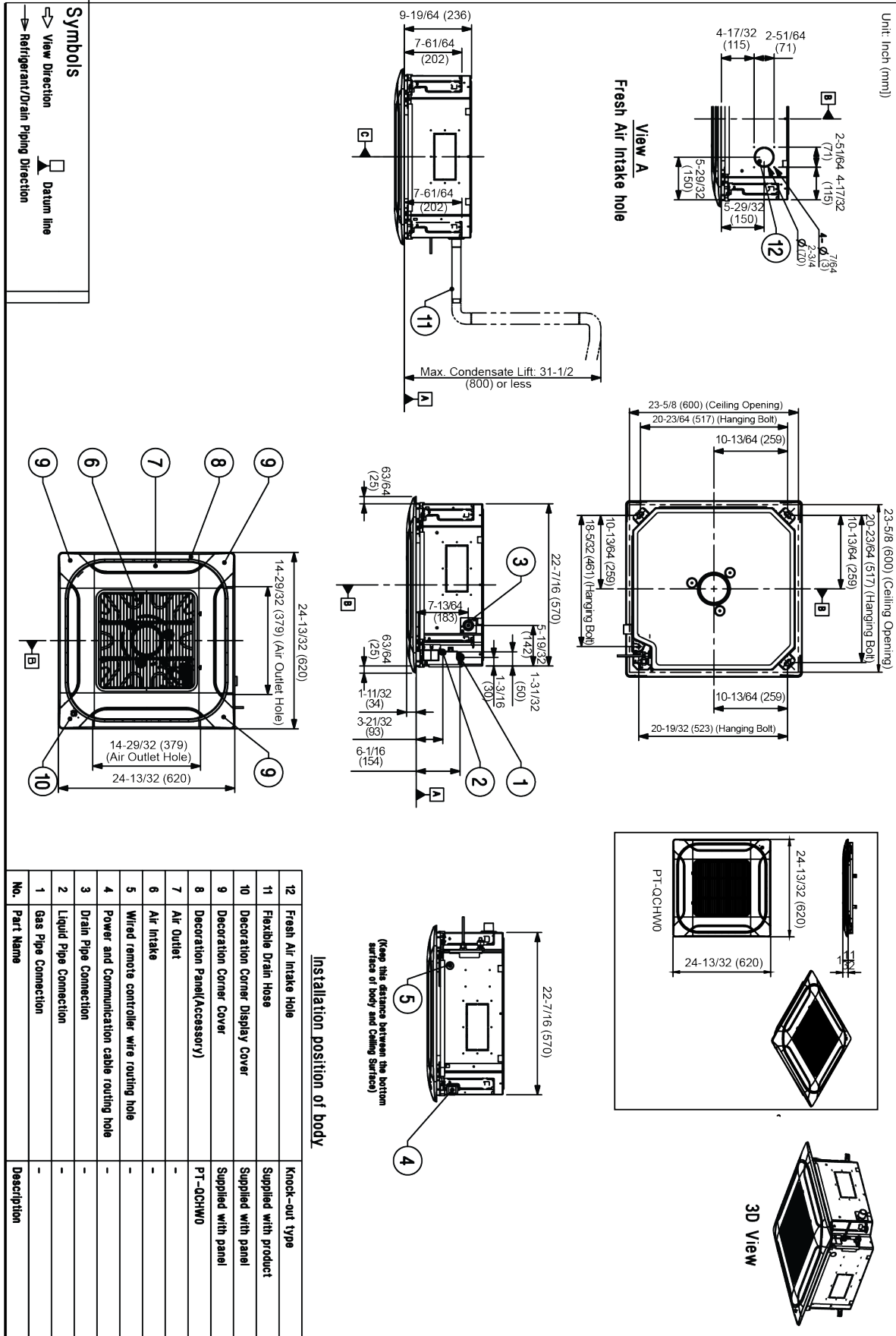
No.	Part Name
1	Air outlet
2	Control cover & service valve cover
3	Vapor pipe connection
4	Liquid pipe connection
5	Conduit
6	Handle
7	Intake air temperature sensor cover

[Unit: inch]

# LC128HV4

## Ceiling Cassette Single Zone

Outdoor Unit (ODU) - LUU127HV Indoor Unit (IDU) - LCN128HV4



Date: 7/24/2023

For:  File  Resubmit  
 Approval  Other

PO No.:

Architect: Lewis Architects and Engineers

GC: TBD

Engr: Lewis Architects and Engineers

Mech: Comfort Systems USA

Rep: Airetech Corporation  
 (Company)

Nick Moore  
 (Project Manager)

## LC098HV4

### Ceiling Cassette Single Zone

Outdoor Unit (ODU) - LUU097HV Indoor Unit (IDU) - LCN098HV4

#### Performance:

##### Cooling:

Cooling Capacity (Min~Rated~Max) (Btu/h)	3,600 ~ 9,000 ~ 9,900
SEER2	20.20
EER2	13.65

SEER - Seasonal Energy Efficiency Ratio

EER - Energy Efficiency Ratio

##### Heating:

Heating Capacity (Min~Rated~Max) (Btu/h)	4,400 ~ 11,000 ~ 12,100
HSPF2	10.55
Max. Heating @ Indoor 70°F DB	11000
Outdoor 17°F DB	10100
Outdoor 5°F DB	9040
Outdoor -4°F DB	

HSPF - Heating Seasonal Performance Factor

#### Electrical:

Power Supply (V/Hz/Ø)	208-230/60/1
MOP (A)	15
MCA (A)	11.9
Cooling Rated Amps (A)	9.65
Heating Rated Amps (A)	9.65
Compressor (A)	9.0
Fan Motor (IDU + ODU) (A)	0.65
Cooling Power Input (kW)	0.66
Heating Power Input (kW)	0.83

MOP - Maximum Overcurrent Protection

MCA - Minimum Circuit Ampacity

#### Piping:

Liquid (in., O.D., Connection Size/Pipe Size)	1/4 / 1/4
Vapor (in., O.D., Connection Size/Pipe Size)	3/8 / 3/8
Additional Refrigerant (oz./ft.)	0.22
Max. Pipe Length (ft.) <sup>2</sup>	66
Piping Length (no add'l refrig., ft.)	25
Max. Elevation (ft.)	49

#### Features:

- Inverter (Variable Speed Compressor)
- Internal Condensate Pump
- Swirl Wind
- Jet Cool
- IDU compatible with Multi F ODUs
- Auto Restart
- Auto Changeover
- Ultra-quiet Turbo Fan
- Optional Wi-Fi Control

#### Required Accessories:

- Cassette Grille - PT-QCHW0 or PT-UQC

#### Optional Accessories:

- Simple Controller with Mode (White) - PREMT00U
- MultiSITE™ CRC1 / CRC1+ - PREMTBVC0 / PREMTBVC1
- PI-485 - PMNFP14A1
- Ventilation Kit<sup>3</sup> - PTVK430
- Wi-Fi Module - PWFMD200
- Low Ambient Wind Baffle (Cooling operation to -4°F) - ZLABGP01A



#### Operating Range:

##### Outdoor Unit:

Cooling (°F DB)	0 - 118
Heating (°F WB)	-4 ~ +64

##### Indoor Unit:

Cooling (°F WB)	57 ~ 77
Heating (°F DB)	59 ~ 81

#### System Data:

Refrigerant Type	R410A
Refrigerant Control	EEV
Refrigerant Charge (lbs.)	2.43
IDU Sound Pressure (H/M/L) (±3 dB[A]) <sup>3</sup>	36/33/30
ODU Sound Pressure Max. (Cooling / Heating) (±3 dB[A]) <sup>3</sup>	47/51
ODU Net / Shipping Weight (lbs.)	82 / 89
IDU Net / Shipping Weight (lbs.)	31 / 37
Grille Net / Shipping Weight (lbs.)	7 / 9

#### Fan:

ODU Type	Propeller
IDU Type	Turbo
Fan Speeds (Fan/Cool/Heat)	4 / 5 / 4
Quantity (ODU + IDU)	(1 + 1)
Motor/Drive	Brushless Digitally Controlled/Direct
ODU Air Flow Rate (CFM)	988
IDU Air Flow (CFM H/M/L)	300 / 265 / 230
Dehumidification (pts./hr.)	1.6

#### Notes:

1. Acceptable operating voltage: 187V-253V.
2. Piping lengths are equivalent.
3. Must comply with applicable codes for fire isolation dampers.
4. Sound Pressure levels are tested in an anechoic chamber under ISO Standard 3745.
5. All communication/power cable to be minimum 18 American wire gauge (AWG), 4-conductor, stranded, shielded and must comply with applicable local and national code.
6. This unit comes with a dry helium charge.
7. Nominal data is rated 0 ft. above sea level, with 25 ft. of refrigerant line and a 0 ft. level difference between outdoor and indoor units.
8. Power wiring cable size must comply with the applicable local and national code.
9. Must follow installation instructions in the applicable LG installation manual.
10. Multi-compatible IDUs include socket adapters for refrigerant pipe connection with Single Zone systems.



# LC098HV4

## Ceiling Cassette Single Zone

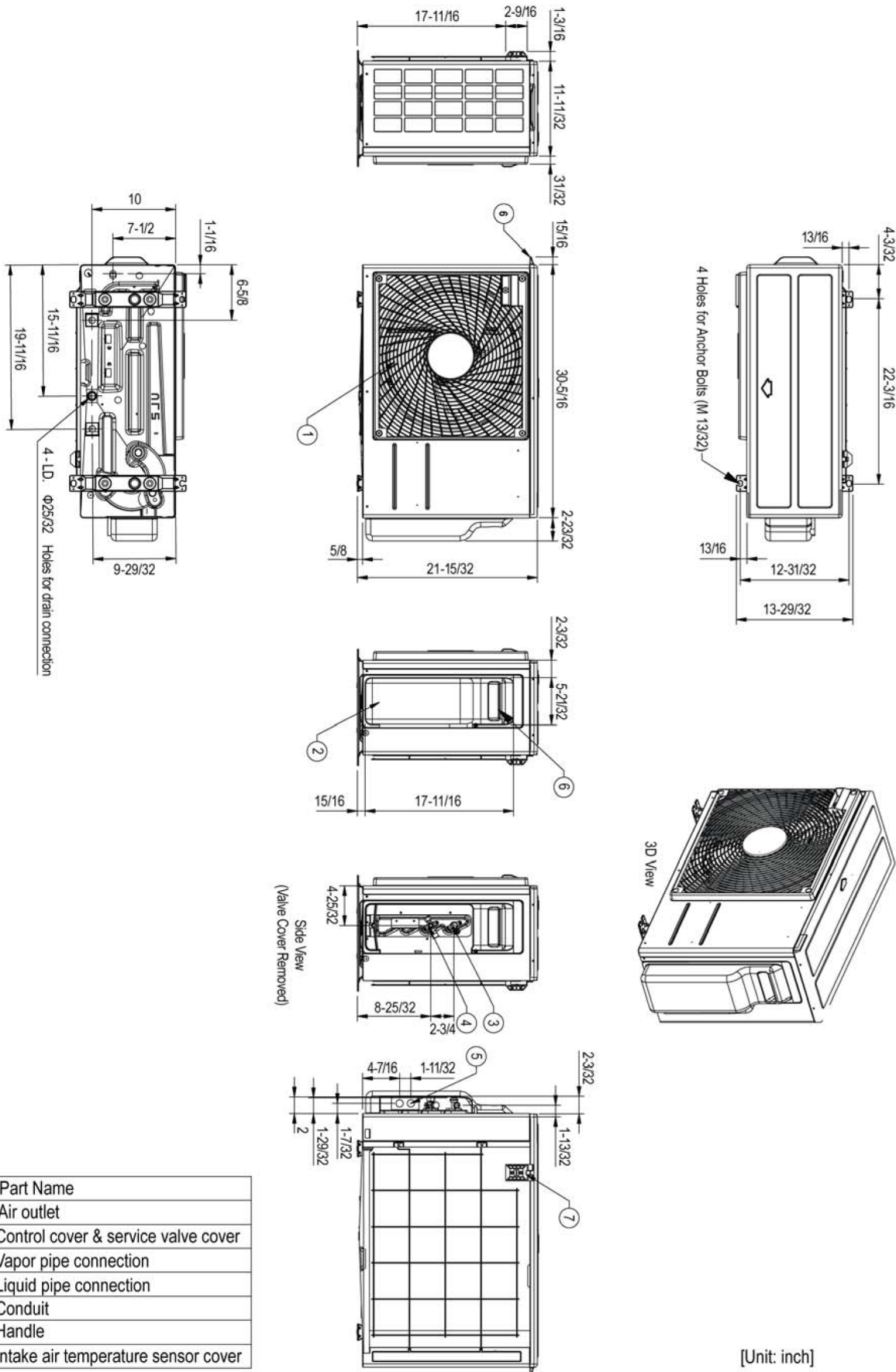
Outdoor Unit (ODU) - LUU097HV Indoor Unit (IDU) - LCN098HV4



Tag No.: \_\_\_\_\_

Date: 7/24/2023

PO No.: \_\_\_\_\_



No.	Part Name
1	Air outlet
2	Control cover & service valve cover
3	Vapor pipe connection
4	Liquid pipe connection
5	Conduit
6	Handle
7	Intake air temperature sensor cover

[Unit: inch]

# LC098HV4

Ceiling Cassette Single Zone

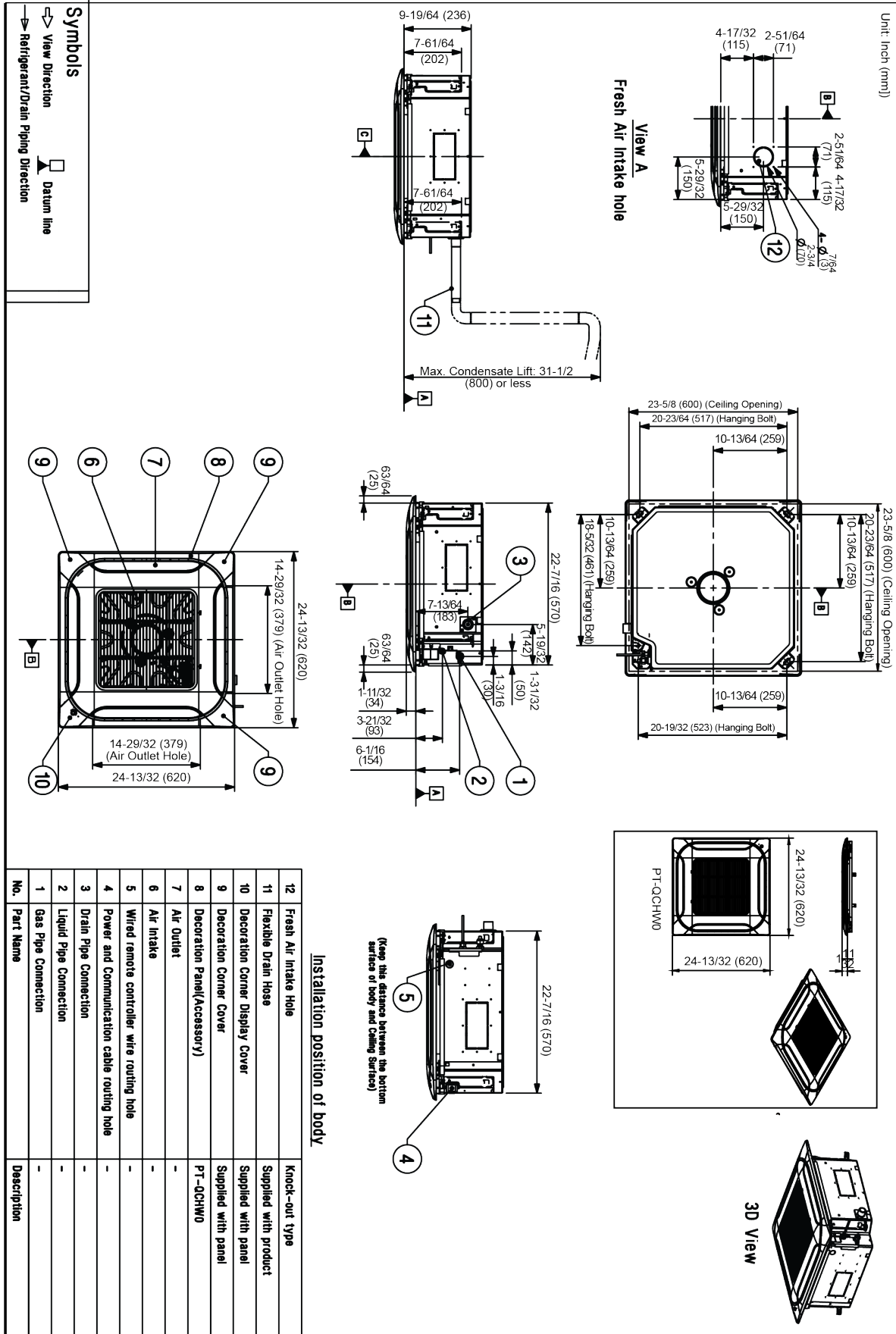
Outdoor Unit (ODU) - LUU097HV Indoor Unit (IDU) - LCN098HV4



Tag No.: \_\_\_\_\_

Date: 7/24/2023

PO No.: \_\_\_\_\_



Date: 7/24/2023

For:  File  Resubmit  
 Approval  Other\_\_\_\_\_

PO No.:

Architect: Lewis Architects and Engineers

GC: TBD

Engr: Lewis Architects and Engineers

Mech: Comfort Systems USA

Rep: Airetech Corporation

Nick Moore

(Company)

(Project Manager)

**LC489HHV**  
 Single-Zone 3x3 Four-Way Ceiling Cassette with LGRED®  
 Outdoor Unit (ODU) - LUU480HHV, Indoor Unit (IDU) - LCN489HV



**Performance:**

**Cooling:**

Cooling Capacity (Min~Rated~Max, Btu/h)	19,200~ 48,000~53,000
SEER2	17.50
EER2	12.50

SEER - Seasonal Energy Efficiency Ratio

EER - Energy Efficiency Ratio

**Heating:**

Heating Capacity (Min~Rated~Max, Btu/h)	19,000~52,000~61,000
HSPF2	10.65
Max. Heating @ Indoor 70°F DB (Btu/h)	54,500
Outdoor 17°F WB	
Outdoor 5°F WB	40,500
Outdoor -4°F WB	43,740
Outdoor -13°F WB	35,980

HSPF - Heating Seasonal Performance Factor

Heating Nominal Test Conditions:

Cooling Nominal Test Conditions:

Indoor: 70°F DB / 60°F WB

Indoor: 80°F DB / 67°F WB

Outdoor: 47°F DB / 43°F WB

Outdoor: 95°F DB / 75°F WB

**Electrical:**

Power Supply (V~/Hz/Ø)	208-230/60/1
MOP (A)	40
MCA (A)	32
Cooling / Heating Rated Amps (A)	17.0 / 17.1
Compressor (A)	22
Fan Motor (IDU + ODU) (A)	1.3 + (1.6 x 2)
Cooling Power Input (Min~Rated~Max, kW)	1.09~3.84~5.82
Heating Power Input (Min~Rated~Max, kW)	1.40~3.85~6.20
Locked Rotor Amps (A)	33

MOP - Maximum Overcurrent Protection

MCA - Minimum Circuit Ampacity

**Piping:**

Installed Liquid Pipe (in., O.D.)	3/8 Flare
Installed Vapor Pipe (in., O.D.)	5/8 Flare
IDU Liquid Connection (in., O.D.)	3/8 Flare
IDU Vapor Connection (in., O.D.)	5/8 Flare
Additional Refrigerant (oz./ft.)	0.43
Min. / Max. Pipe Length (ft.) <sup>2</sup>	16.4 / 246
Piping Length (no add'l refriger., ft.)	24.9
Max. Elevation (ft.)	98.4

**Features:**

- Inverter (Variable Speed Compressor)
- Internal Condensate Pump
- Jet Cool / Jet Heat
- Auto Restart
- Auto Changeover
- Ultra-quiet Turbo Fan
- Night Quiet Function
- Optional Wi-Fi Control
- Drain Pan Heater
- Swirl Wind
- Direct / Indirect Wind
- Smart Mode
- Refresh Mode

**Included Accessories:**

- Wireless Remote Controller - AKB75735404

**Required Accessories:**

- Grille Kit - PT-AAGW0

**Optional Accessories:**

- Premium Controller - PREMTA000
- MultiSITE™ CRC1 - PREMTBVC0
- MultiSITE CRC1+ - PREMTBVC1
- MultiSITE Comm. Mgr. - PBACNBTR0A
- PI-485 - PMNFP14A1
- Dry Contact - PDRVCB320
- LonWorks® Gateway - PLNWKB100
- AC Smart 5 BACnet® Gateway - PACS5A000
- ACP 5 BACnet Gateway - PACP5A000
- Outside Air Flange - PTVK430
- Wi-Fi Module - PWFMD200
- Low Ambient Wind Baffle (Cooling operation to -4°F) - ZLABGP04A<sup>10</sup>

**Operating Range:**

**Outdoor Unit:**

Cooling (°F DB)	5 ~ 118
Heating (°F WB)	-13 ~ +64

**Indoor Unit:**

Cooling (°F WB)	57 ~ 77
Heating (°F DB)	59 ~ 81

**System Data:**

Refrigerant Type	R410A
Refrigerant Control	EEV
Refrigerant Charge (lbs.)	9.26
ODU Sound Pressure (Cooling / Heating) (±1 dB[A]) <sup>3</sup>	54 / 56
IDU Sound Pressure (H/M/L/SL) (±1 dB[A]) <sup>3</sup>	46 / 43 / 41 / 39
ODU Net / Shipping Weight (lbs.)	210.9 / 234.1
IDU Net / Shipping Weight (lbs.)	59.5 / 70.5
Grille Net Weight (lbs.)	15.6
Heat Exchanger Coating	GoldFin™

**Fan:**

ODU Type	Propeller
IDU Type	Turbo
Fan Speeds (Fan/Cool/Heat)	4 / 5 / 5
Quantity (ODU + IDU)	2 + 1
Motor/Drive	Brushless Digitally Controlled/Direct
Maximum ODU Air Volume (CFM)	4,238
IDU Air Flow (CFM Max./H/M/L)	1,483 / 1,130 / 953 / 812
Dehumidification (pts./hr.)	9.74

**Notes:**

1. Acceptable operating voltage: 187V-253V.
2. Piping lengths are equivalent.
3. Sound Pressure levels are tested in an anechoic chamber under ISO Standard 3745.
4. All communication / connection (power) cable from the outdoor unit to the indoor unit is field supplied and must be a minimum of four-conductor, 14 AWG, stranded, shielded or unshielded (if shielded, it must be grounded to the chassis of the outdoor unit only), and must comply with applicable local and national codes.
5. See Engineering Manual for sensible and latent capacities.
6. Power wiring cable size must comply with the applicable local and national code.
7. This unit comes with a dry helium charge.
8. This data is rated 0 ft. above sea level, with 24.6 ft. of refrigerant line and a 0 ft. level difference between outdoor and indoor units.
9. Must follow installation instructions in the applicable LG installation manual.
10. If the optional low ambient wind baffle (ZLABGP04A) is used, one wind baffle is required for each ODU fan.

BACnet® is a registered trademark of ASHRAE. LonWorks® is a trademark of Echelon Corporation.





