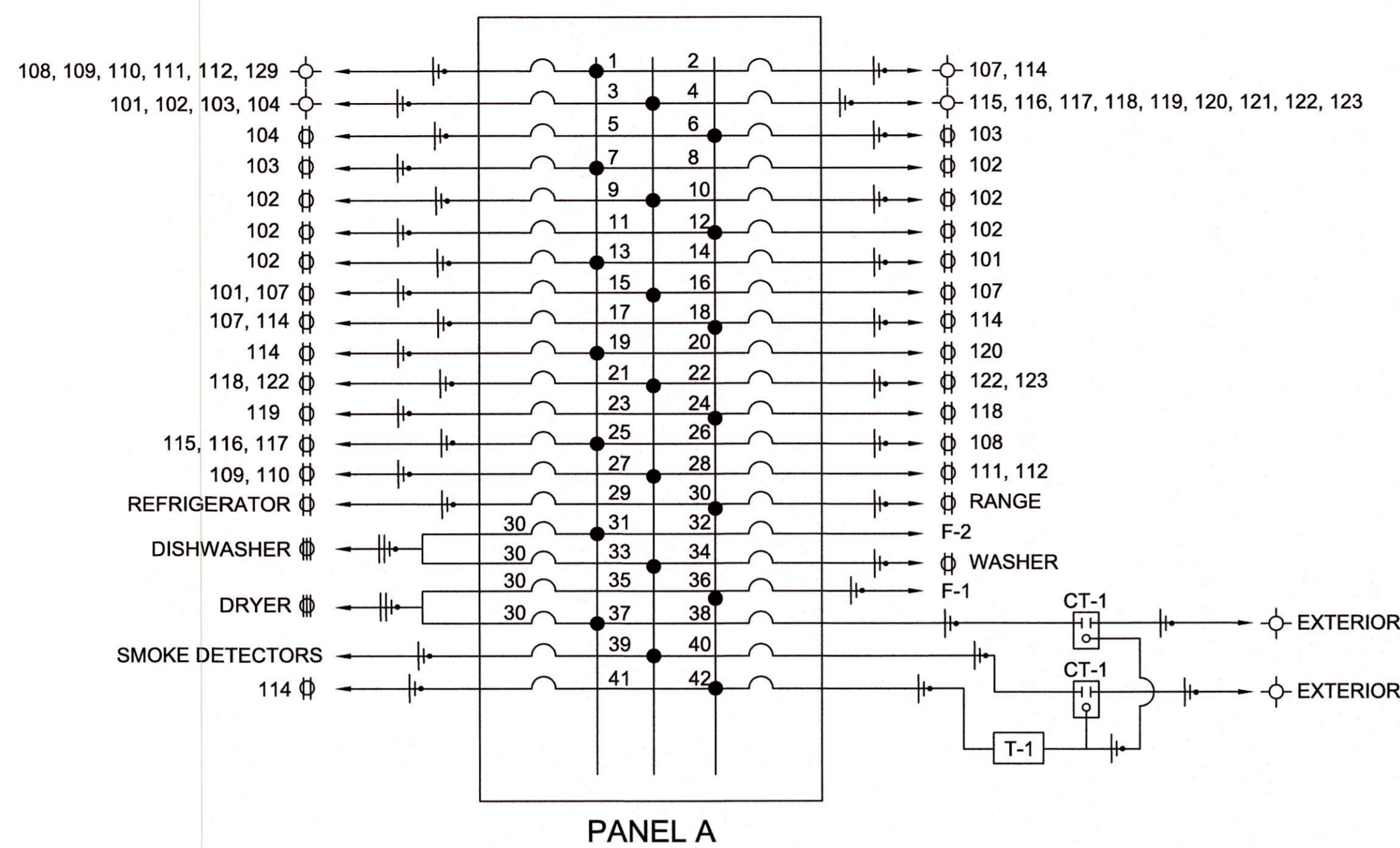
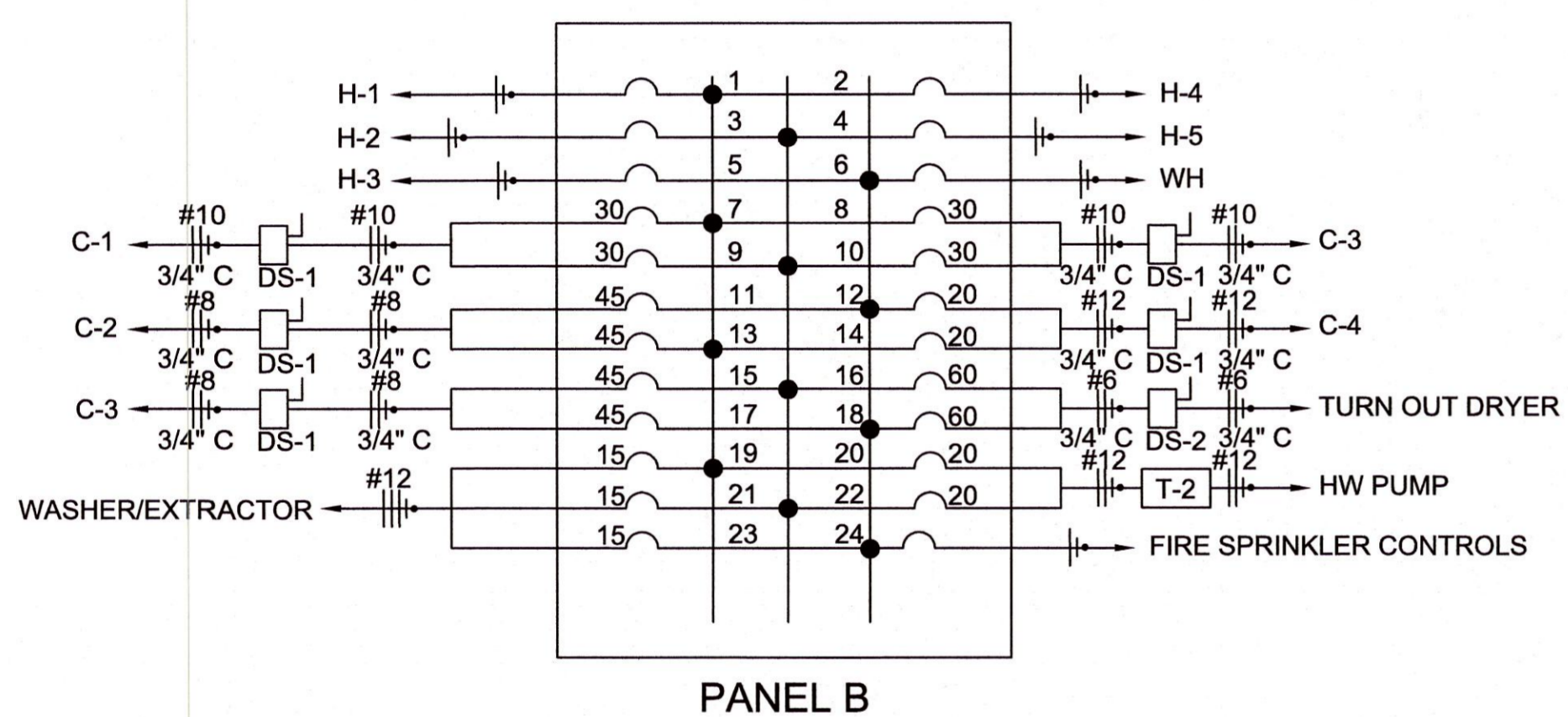


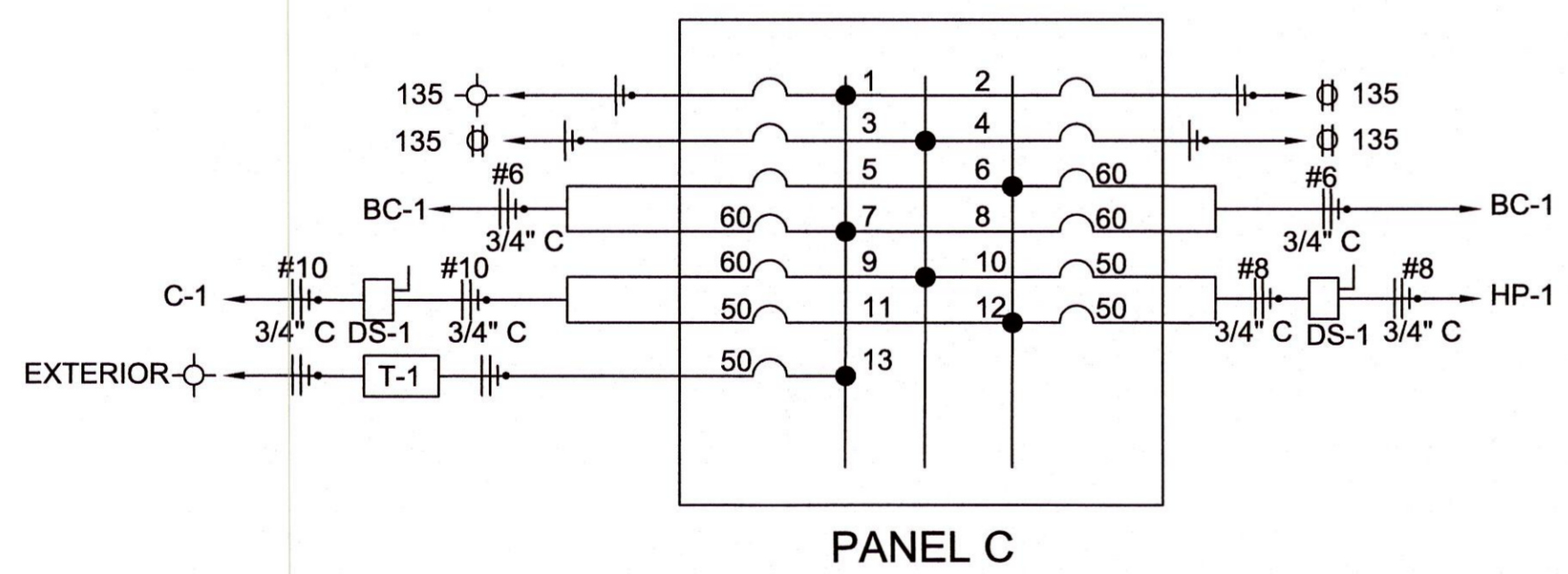
THESE DRAWINGS AND THE DESIGN SHOWN HEREON ARE THE PROPERTY OF HORD ARCHITECTS. THE REPRODUCTION, COPYING OR USE OF THIS INFORMATION WITHOUT HORD ARCHITECTS' WRITTEN CONSENT IS PROHIBITED, AND ANY INFRINGEMENT WILL BE SUBJECT TO LEGAL ACTION. HORD ARCHITECTS



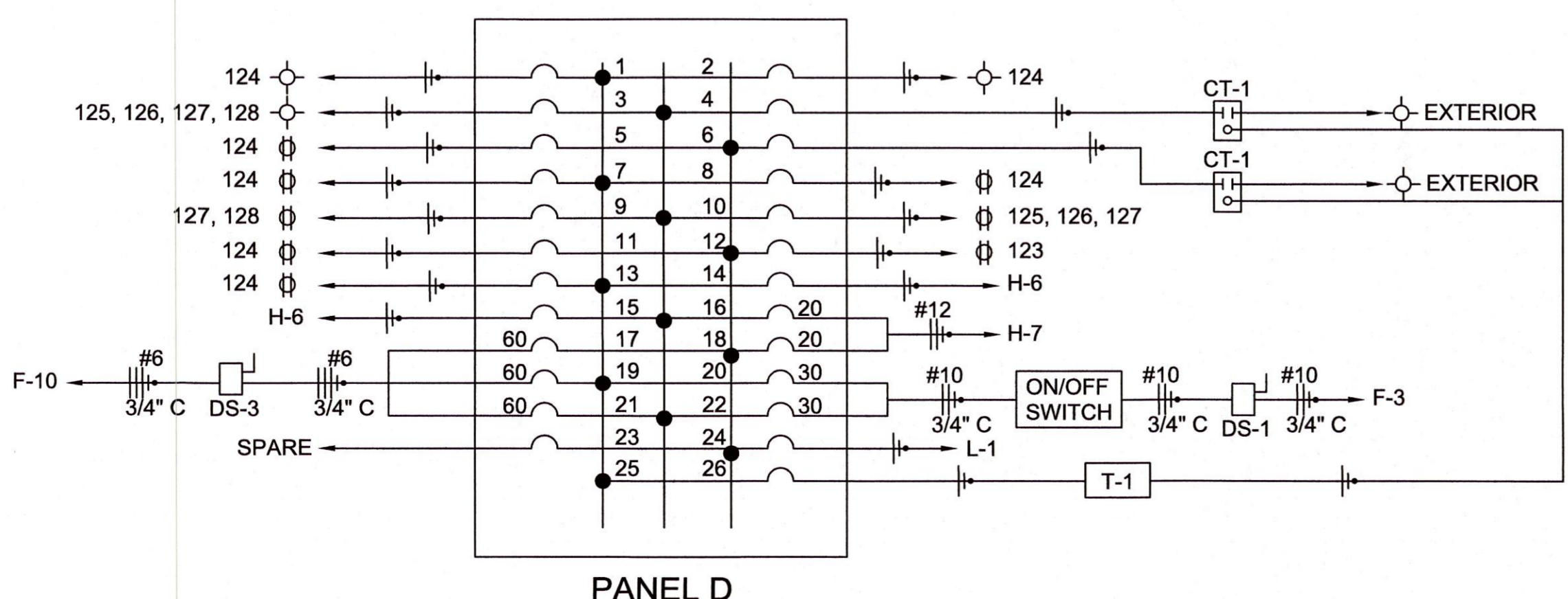
PANEL A



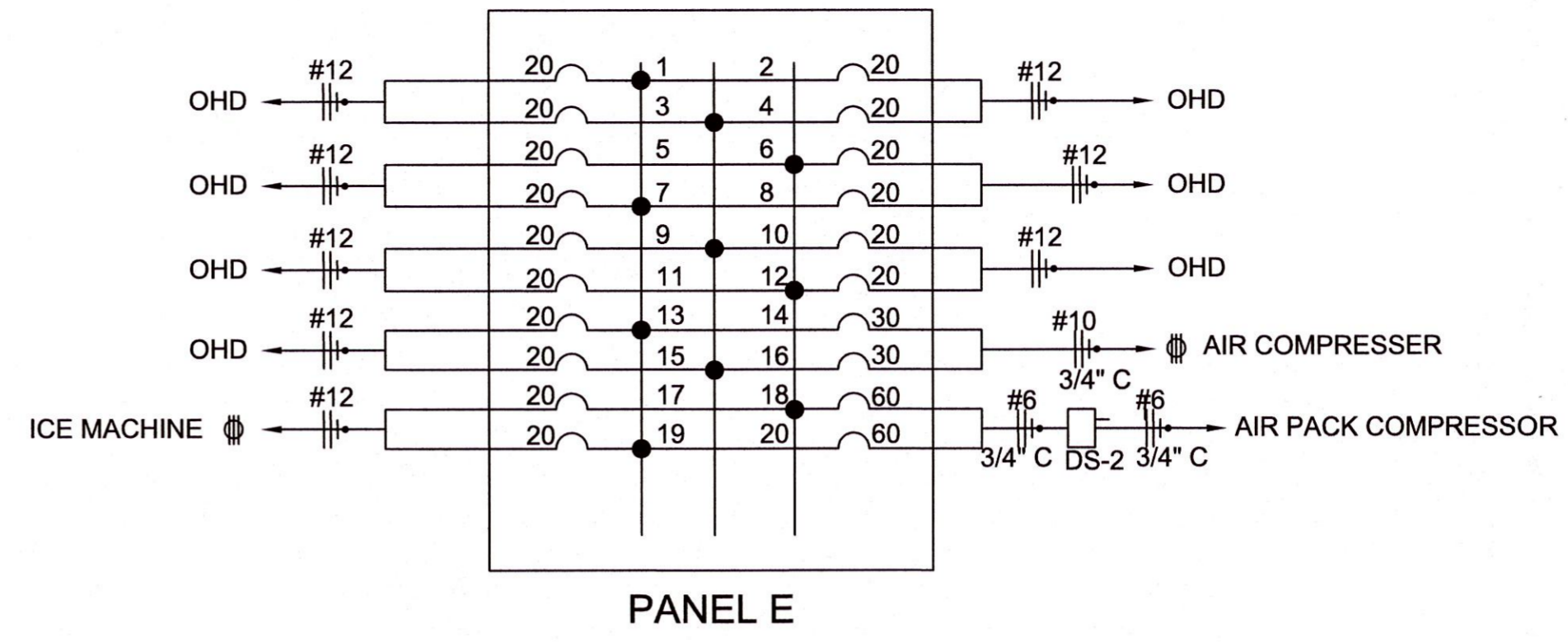
PANEL B



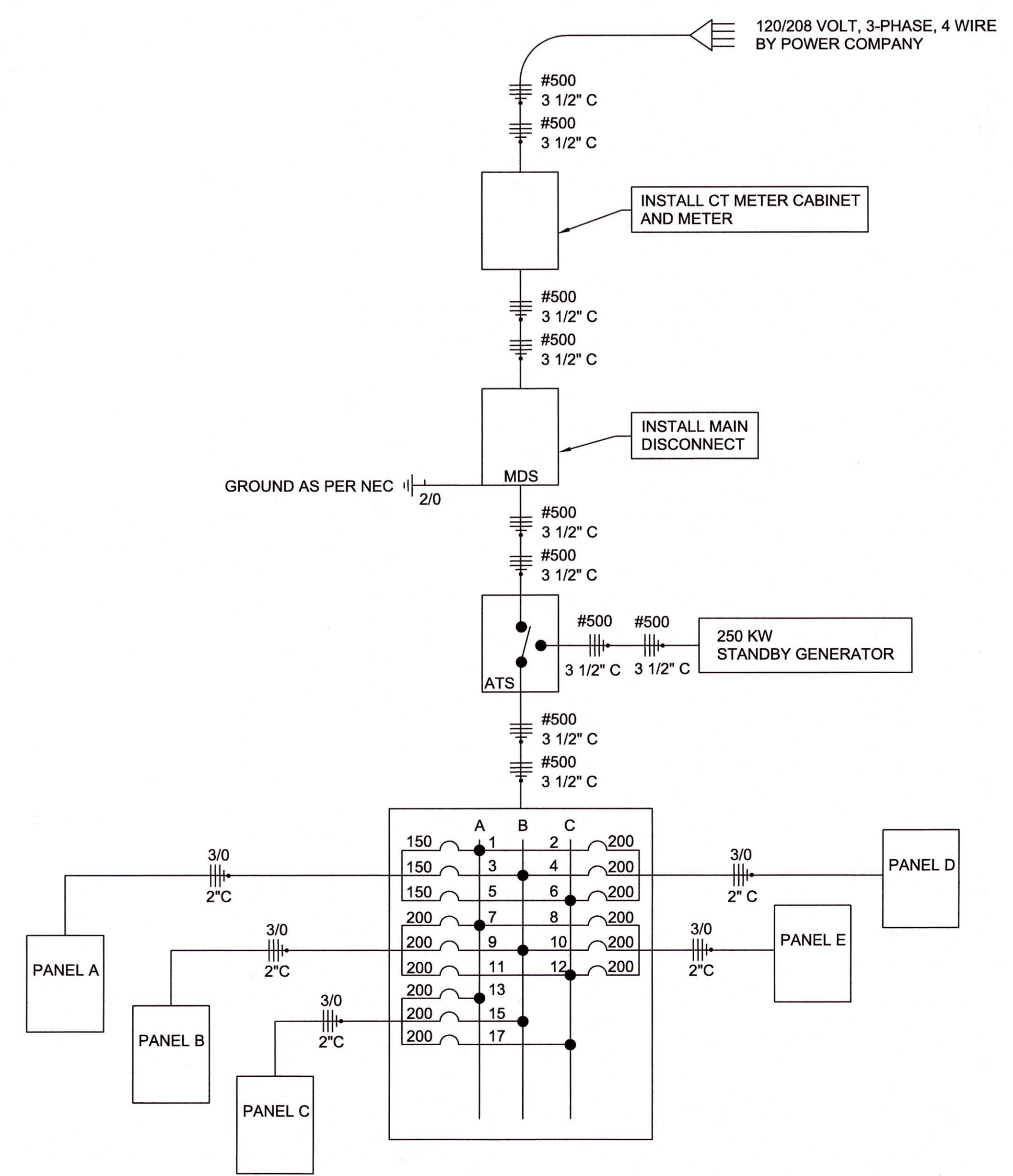
PANEL C



PANEL D



PANEL E



ELECTRICAL SCHEMATICS

PROPOSED:  
TRUMANN FIRE STATION  
801 WEST MAIN ST, TRUMANN, AR 72472

PROJECT NO.: 2023-02  
DRAWN BY: DD  
CHECKED BY: WM  
DATE: 07-31-2023  
REVISIONS:

SHEET NO.:  
E107

\\192.168.1.254\Miller-Newell\DavidD\2023-02-003 TRUMANN FIRE STATION\2023-04-04 - DD Drawings\AFP01.dwg, 8/4/2023 10:04:04 AM, DWG To PDF.pc3