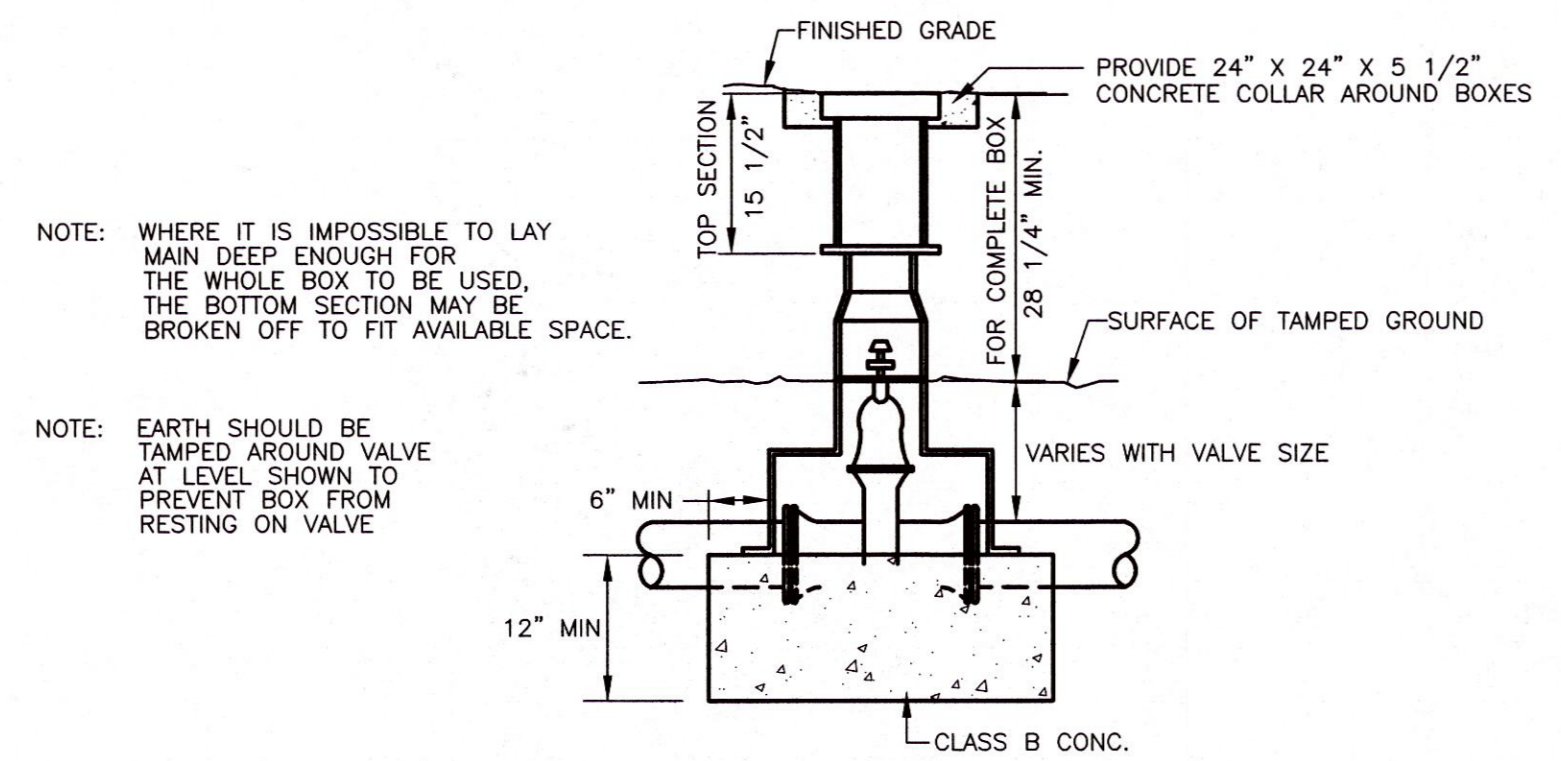


THESE DRAWINGS AND THE DESIGN SHOWN HEREON ARE THE PROPERTY OF HORD ARCHITECTS. THE REPRODUCTION, COPYING OR USE OF THIS INFORMATION WITHOUT HORD ARCHITECTS' WRITTEN CONSENT IS PROHIBITED. AND ANY INFRINGEMENT WILL BE SUBJECT TO LEGAL ACTION. HORD ARCHITECTS

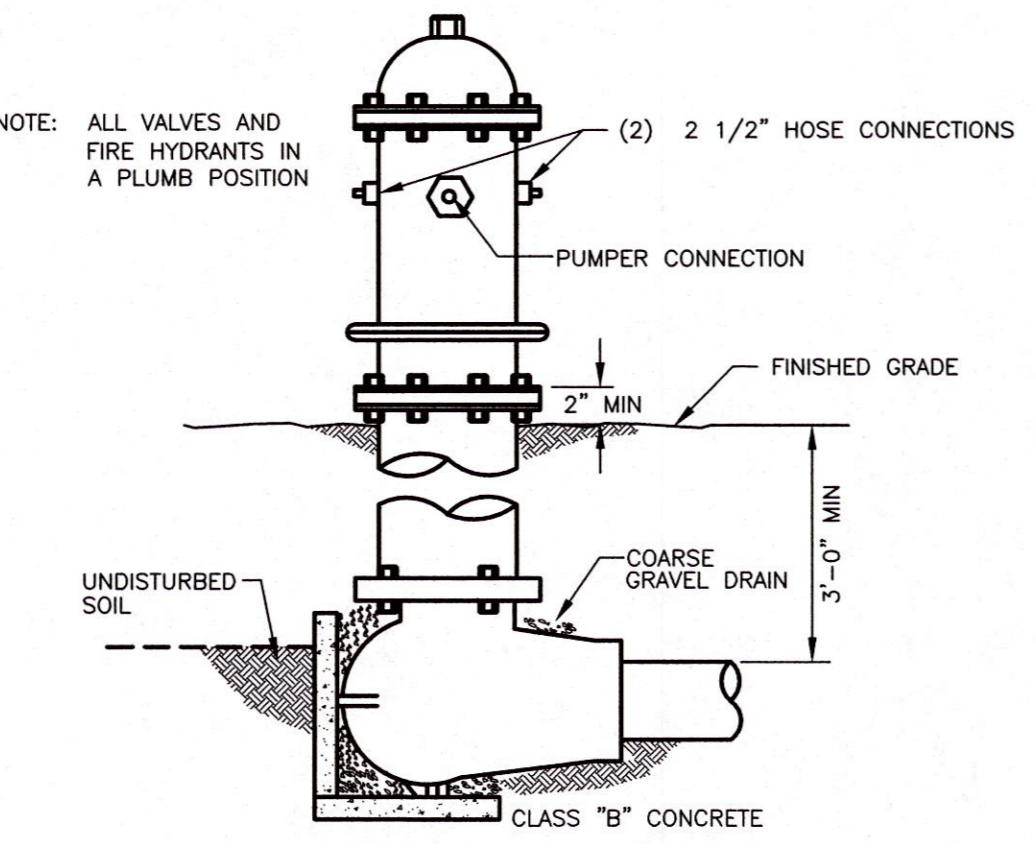
PROPOSED:
TRUMANN FIRE STATION
 801 WEST MAIN ST, TRUMANN, AR 72472

PROJECT NO.: 2023-02
 DRAWN BY: DD
 CHECKED BY: WM
 DATE: 07-31-2023
 REVISIONS:

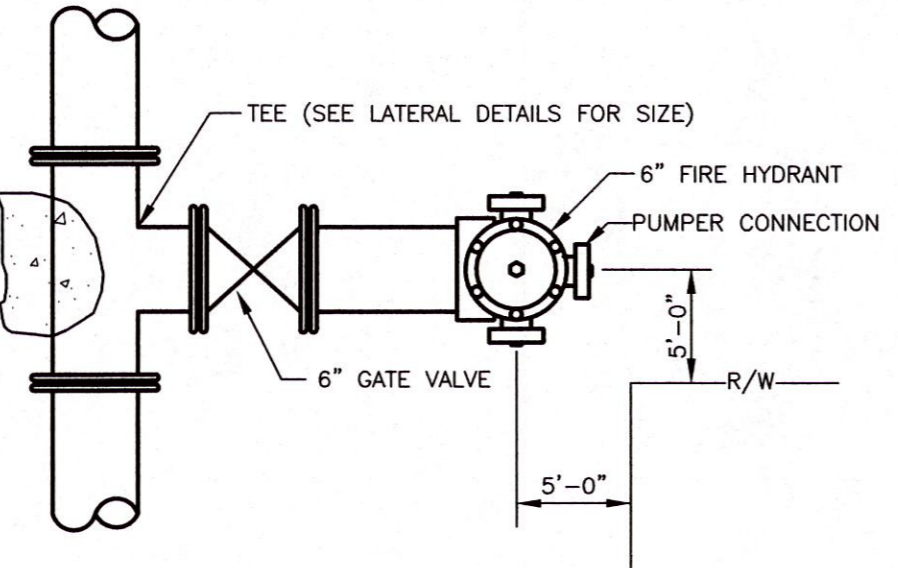
SHEET NO.:
C107



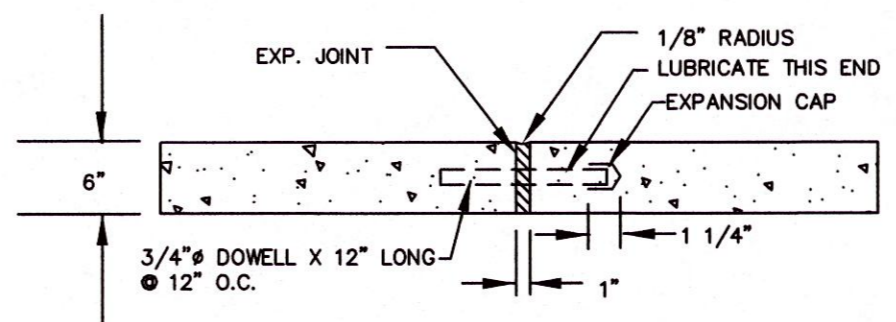
TYPICAL SETTING FOR VALVES 2" & LARGER



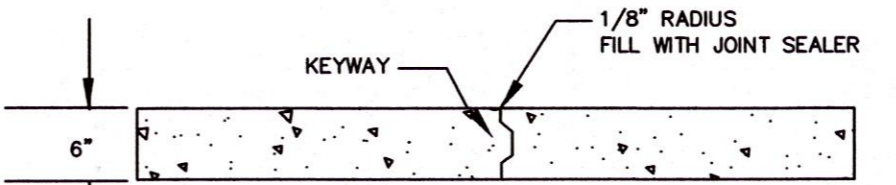
FIRE HYDRANT SETTING



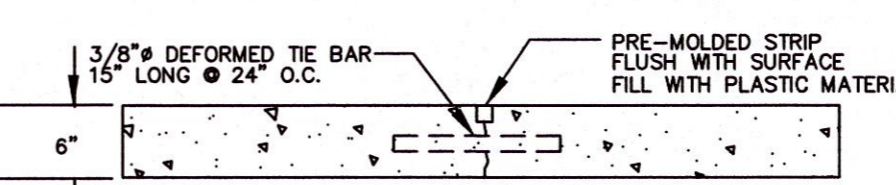
TYPICAL FIRE HYDRANT CONNECTION



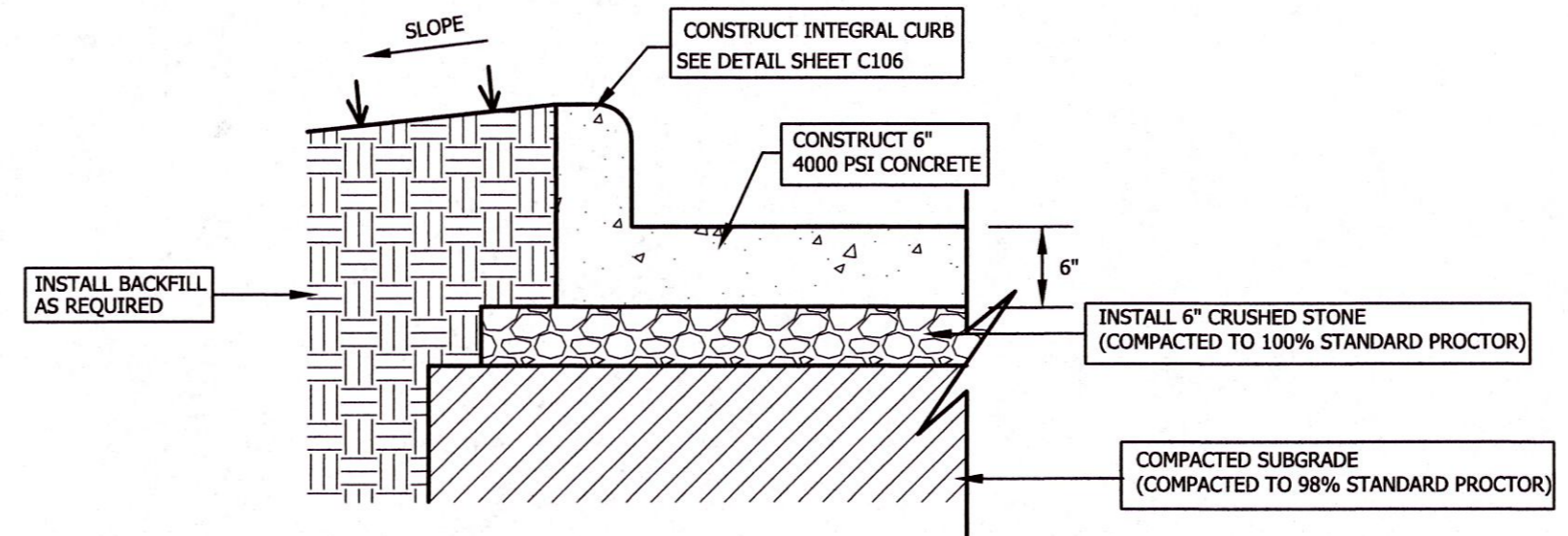
JOINT DETAIL 'EJ'



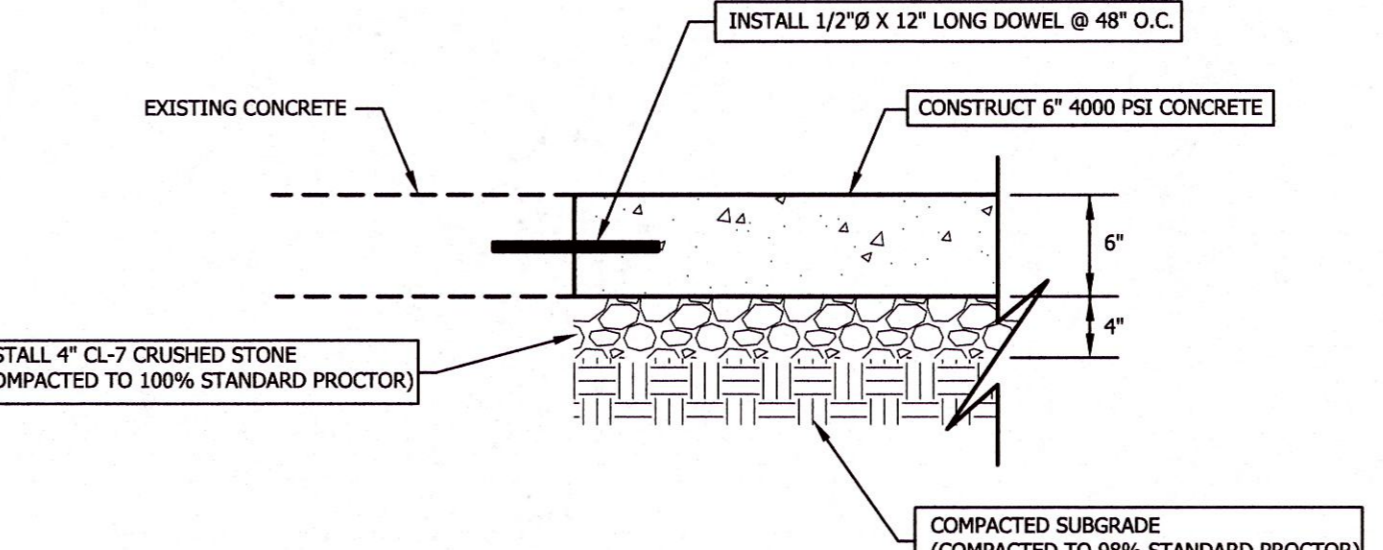
JOINT DETAIL - CONSTRUCTION JOINT



JOINT DETAIL 'CJ'



SECTION A



SECTION B

SITE DETAILS