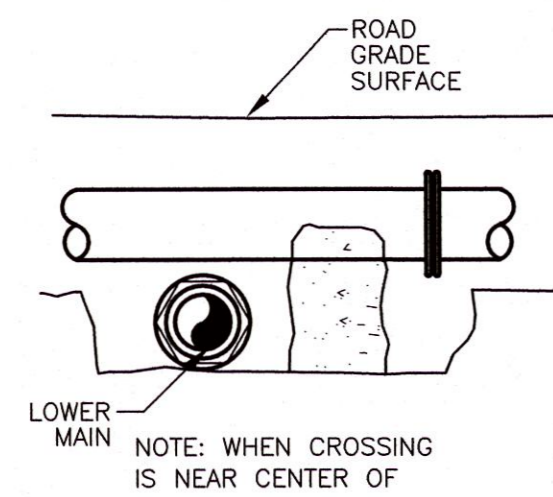
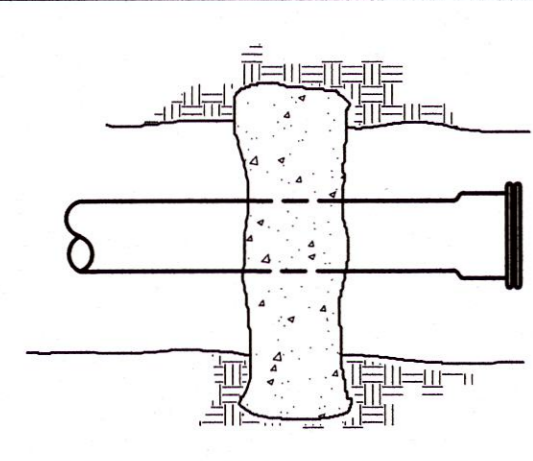


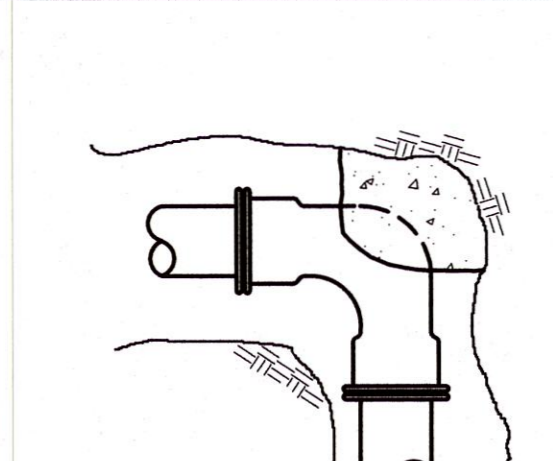
WATER SEWER LINE CROSSING



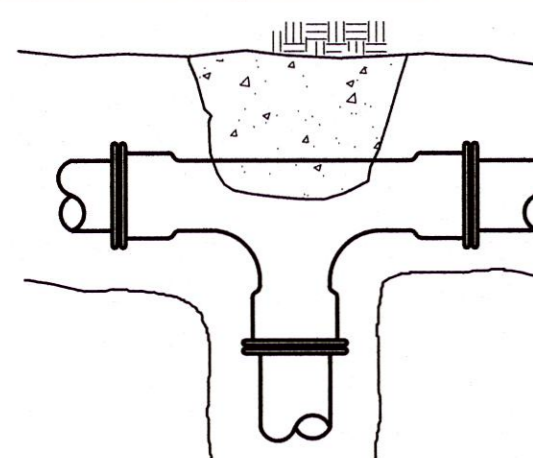
PIPE SUPPORTS AT CROSSING OF MAINS



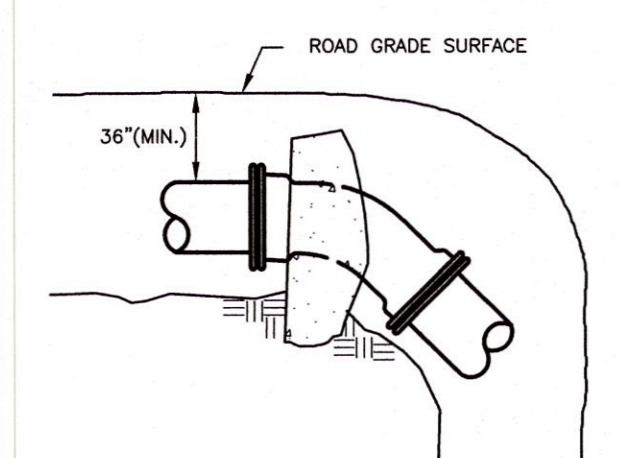
TYPICAL SUPPORT



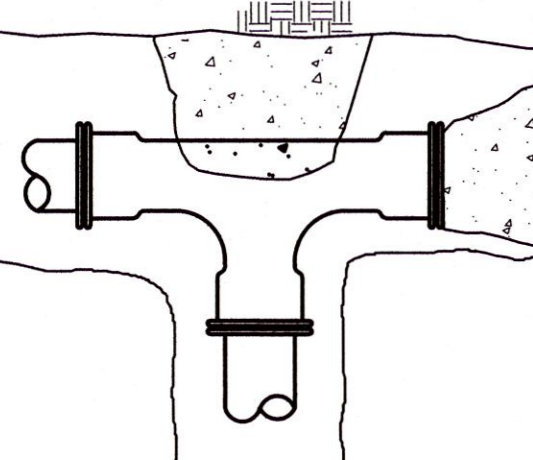
TYPICAL BLOCKING FOR HORIZONTAL BENDS



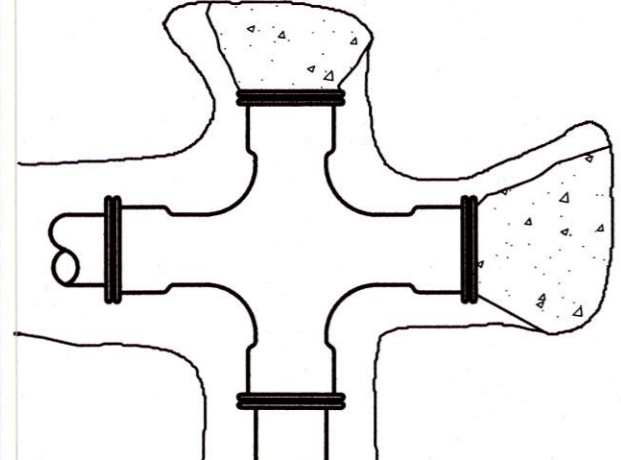
BLOCKING FOR TEE



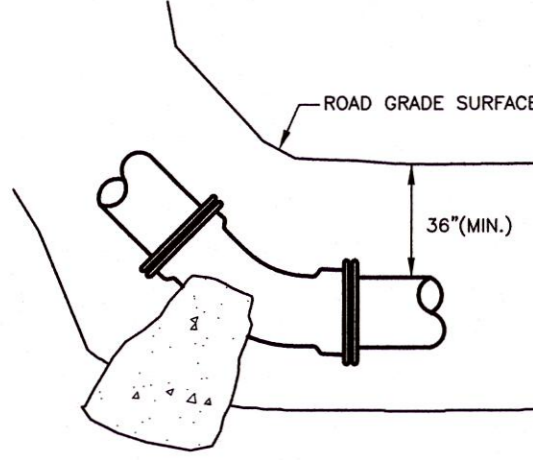
TYPICAL BLOCKING FOR VERTICAL BENDS



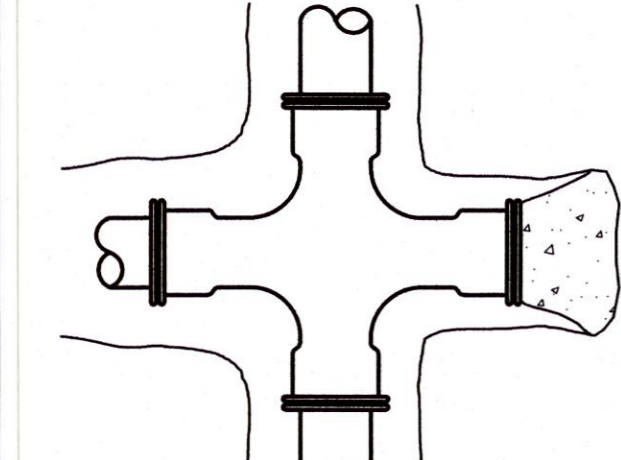
SPECIAL BLOCKING FOR TEE WITH PLUG



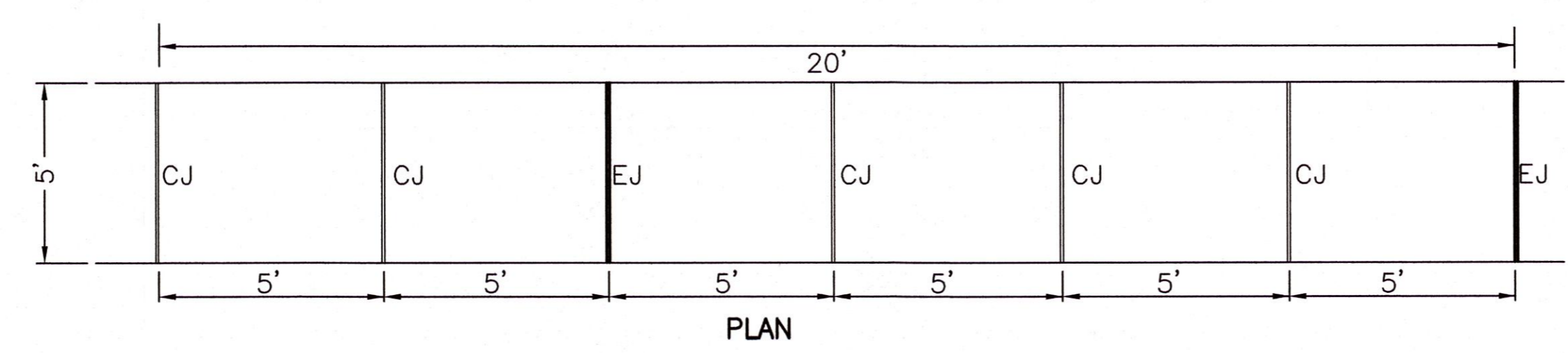
TYPICAL SECTION OF CROSS AND 2 PLUG BLOCKING



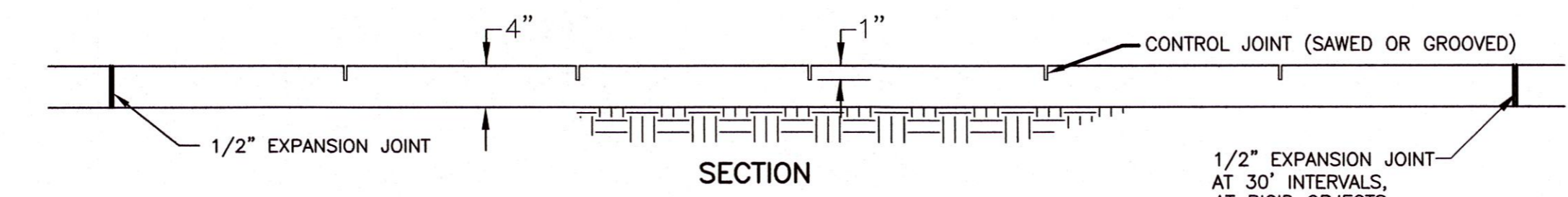
TYPICAL BLOCKING FOR VERTICAL BENDS



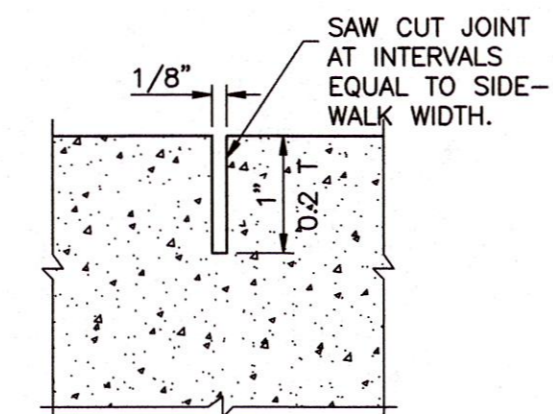
TYPICAL SECTION AND BLOCKING



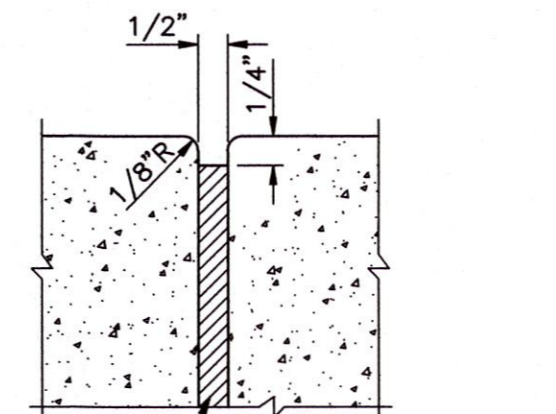
PLAN



SECTION

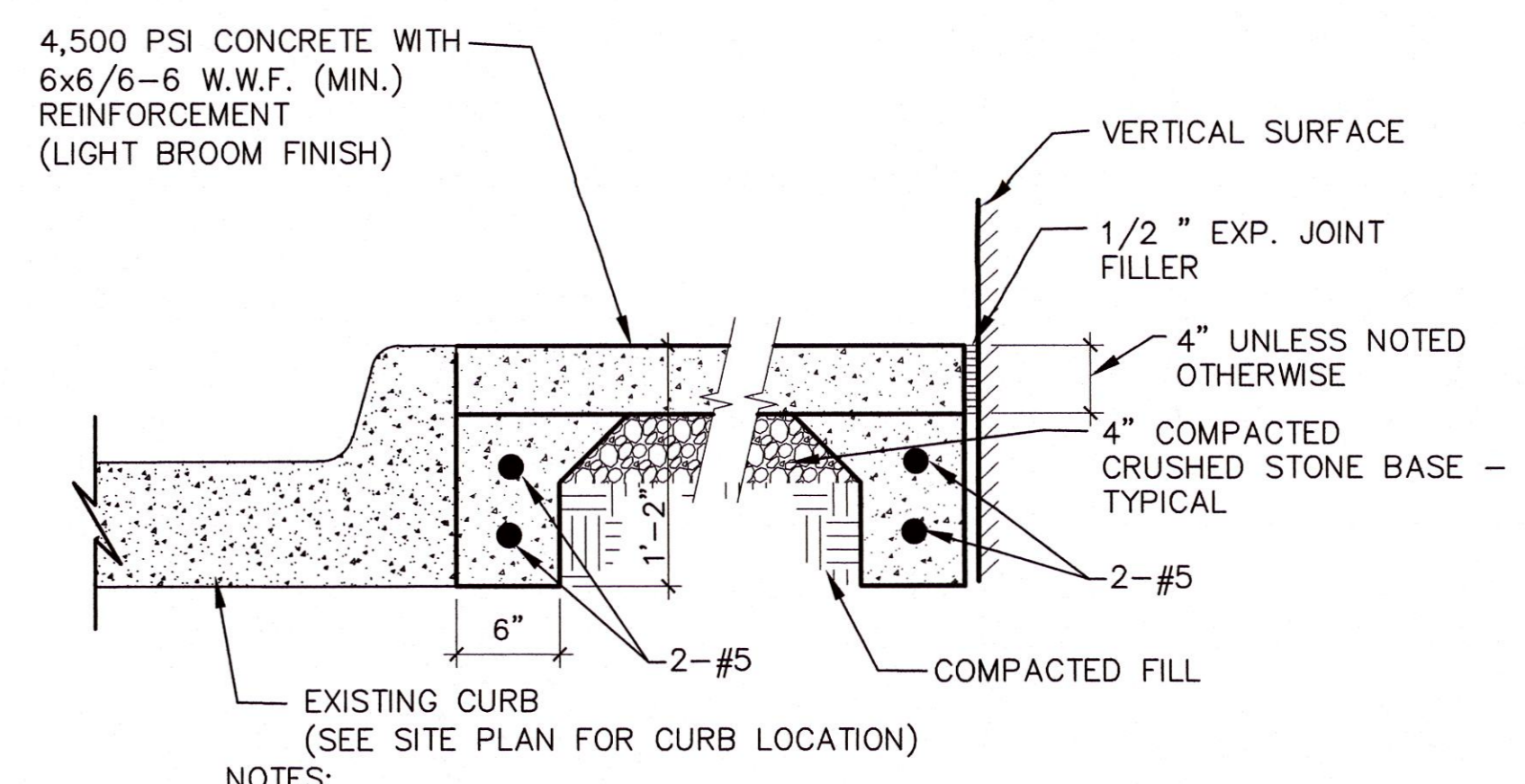


CONTRACTION JOINT (CJ)



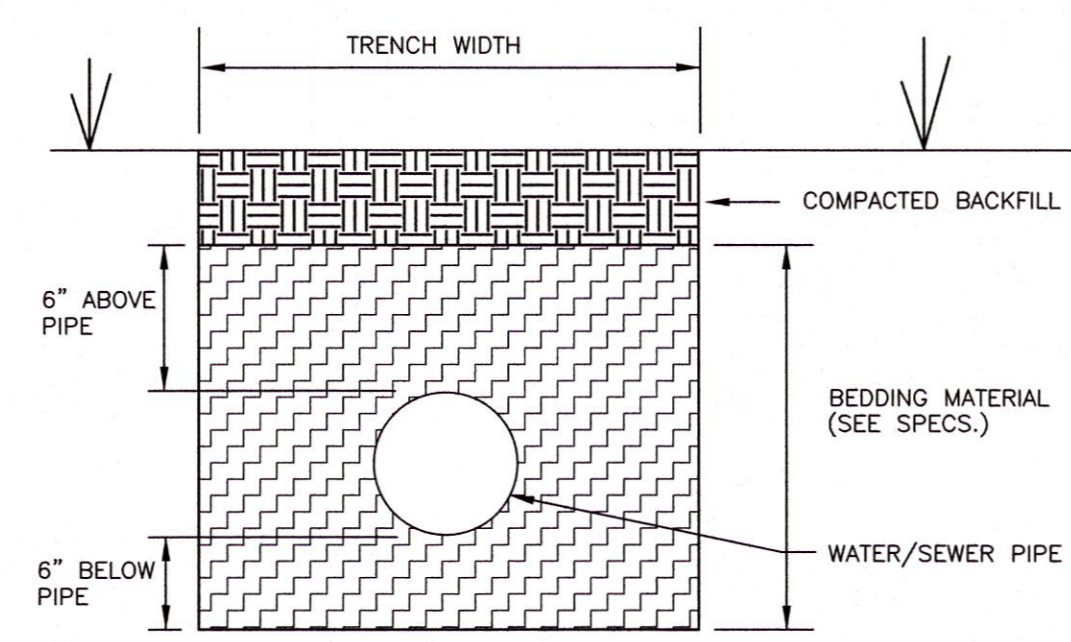
EXPANSION JOINT (EJ)

TYPICAL SIDEWALK JOINT DETAILS

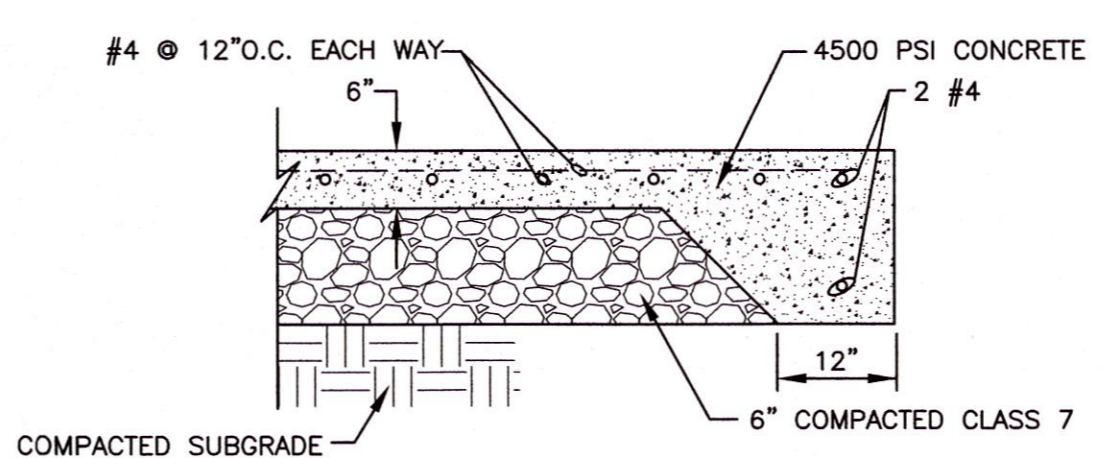


CONCRETE SIDEWALK DETAIL

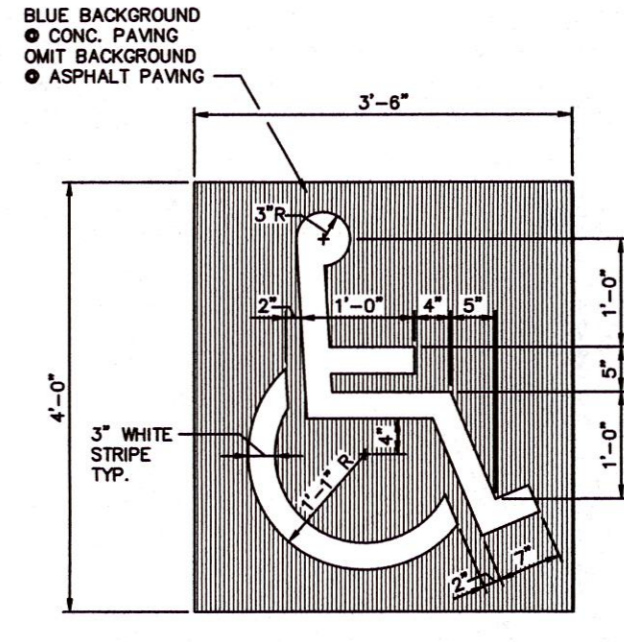
1. PROVIDE 1/2" EXP. JOINTS WHERE CONCRETE WALKS ABUT VERTICAL SURFACES. PROVIDE EXPANSION JOINTS WHERE SHOWN ON SITE/FLOOR PLANS OR 20'-0" MAX.
2. PROVIDE SCORED CONTRACTION JOINTS AT 5'-0" O.C. MAX. BETWEEN EXPANSION JOINTS (EXTEND 1 1/2" MIN. INTO SLAB).
3. SLOPE WALKS AWAY FROM BUILDINGS 1/4" PER FOOT MINIMUM.



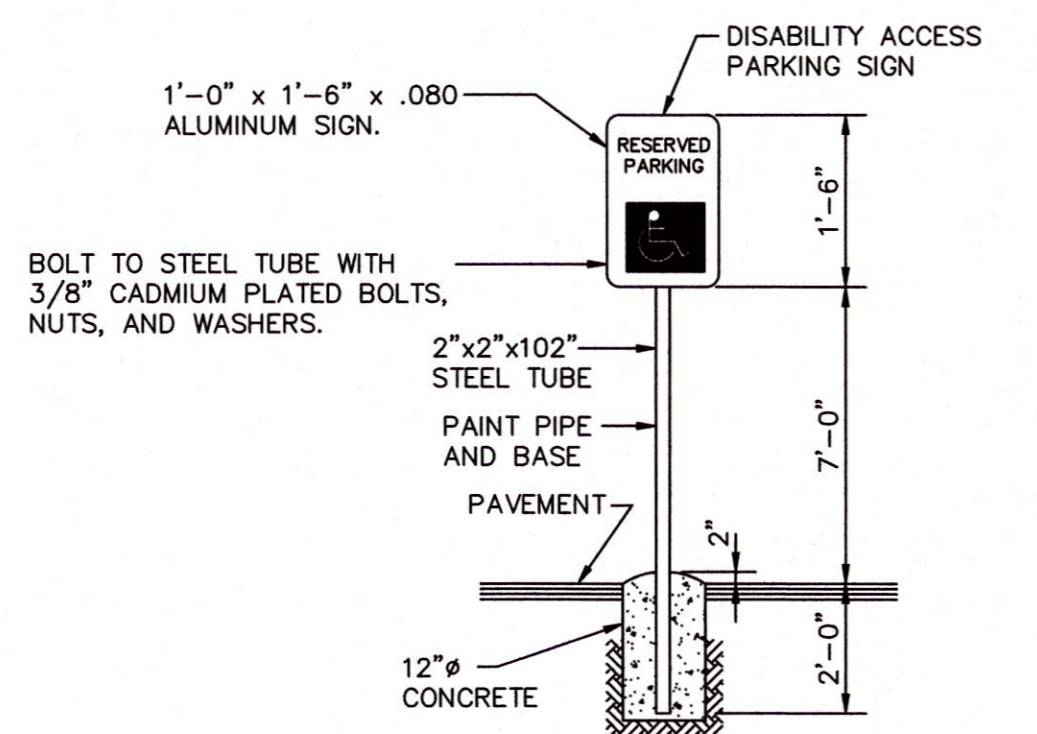
UTILITY PIPE BEDDING DETAIL



GENERATOR PAD DETAIL

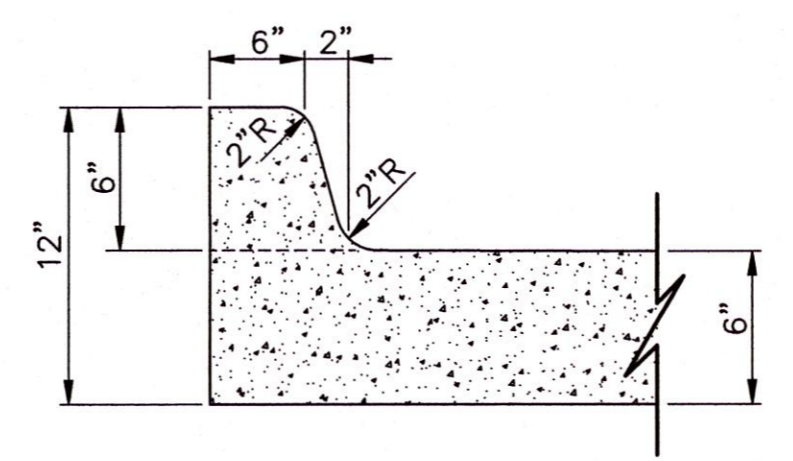


PARKING STALL SYMBOL

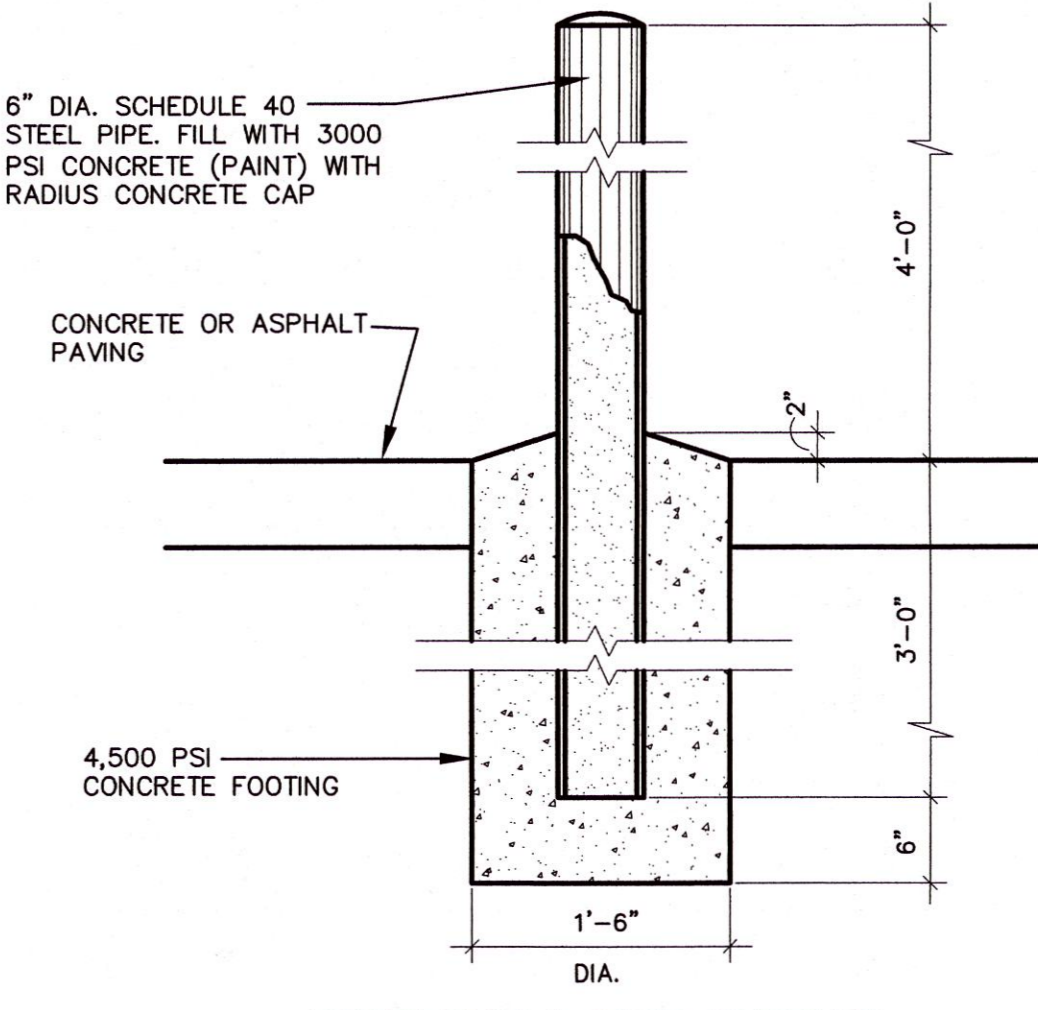


SIGN DETAIL

NOTE: ALL SIGNS SHALL CONFORM TO MUTCD AND SHALL BE HIGH INTENSITY.



INTEGRAL CURB DETAIL



PIPE BOLLARD DETAIL