

SEAL:

FOWLER ENGINEERING, LLC
 STRUCTURAL ENGINEERING CONSULTANTS
 1989 Oak Tree Cove, Suite A
 Hermandale, MS 38632 | 662-469-9571

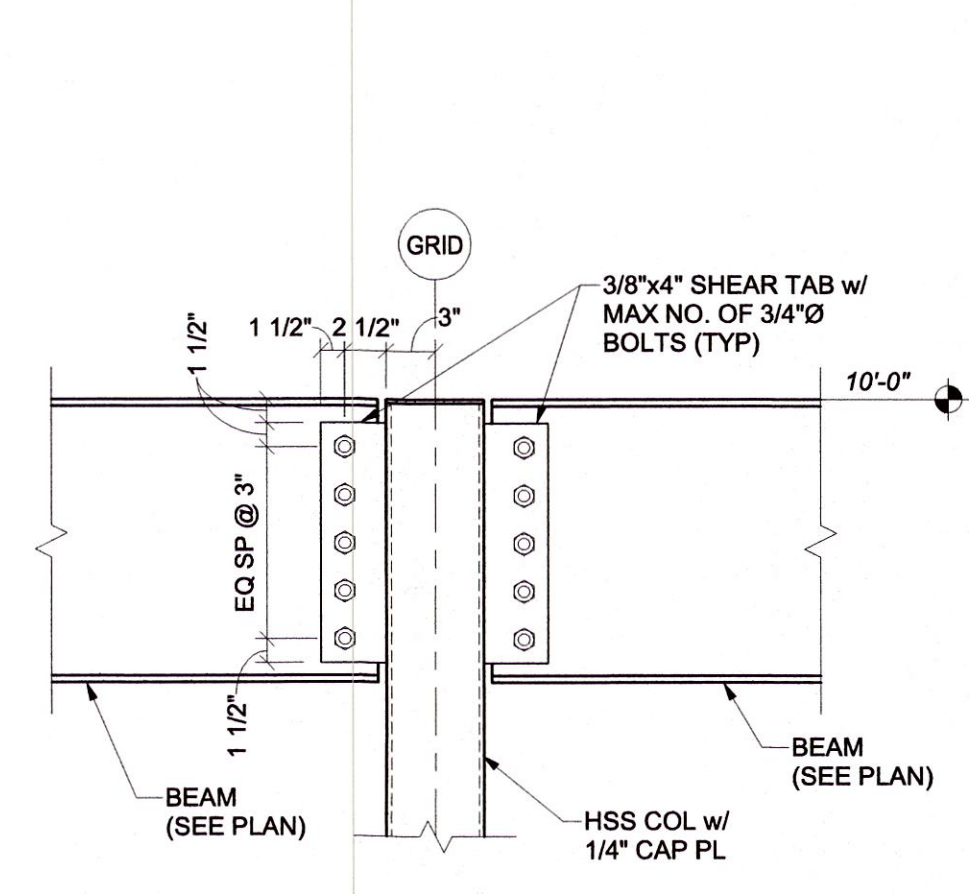


THESE DRAWINGS AND THE DESIGN SHOWN HEREON ARE THE PROPERTY OF HORD ARCHITECTS. THE REPRODUCTION, COPYING OR USE OF THIS INFORMATION WITHOUT HORD ARCHITECTS' WRITTEN CONSENT IS PROHIBITED. ANY INFRINGEMENT WILL BE SUBJECT TO LEGAL ACTION.
 HORD ARCHITECTS ©

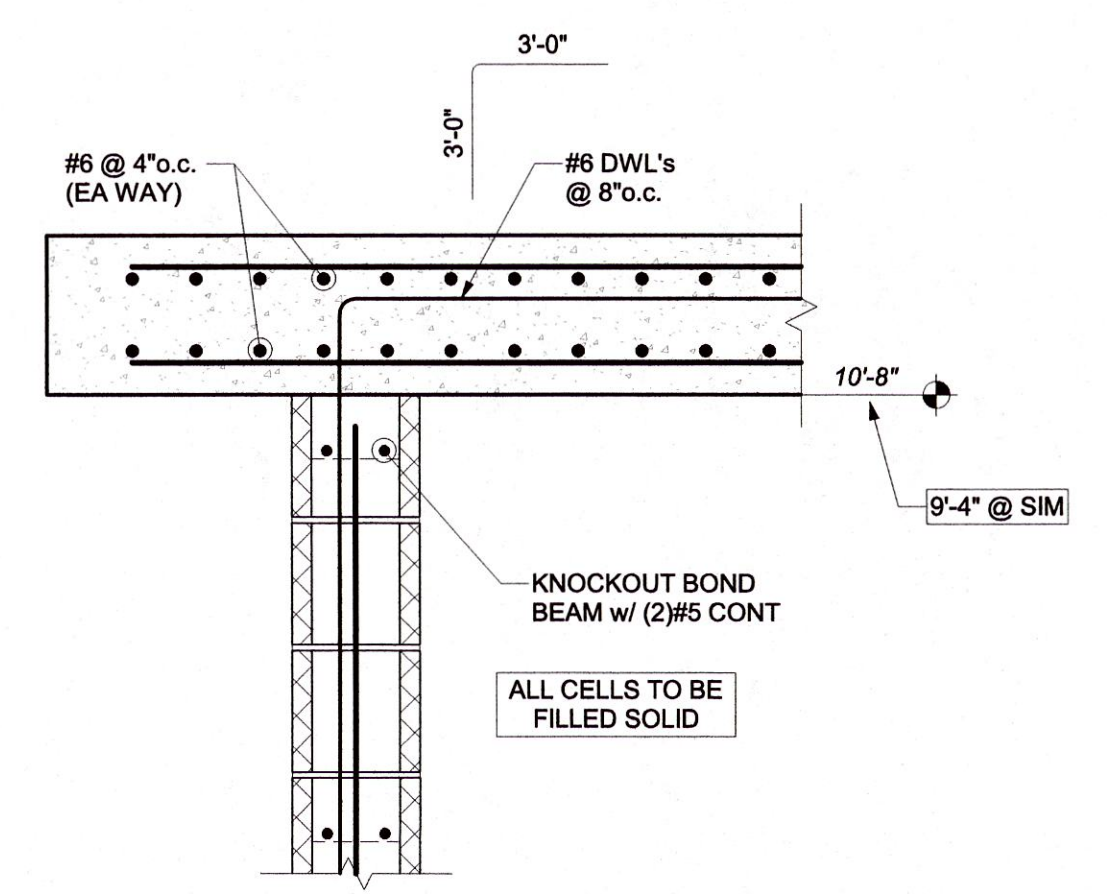
PROPOSED:
TRUMANN FIRE STATION
 801 WEST MAIN ST, TRUMANN, AR 72472

PROJECT NO.: 2023-02
 DRAWN BY: JC
 CHECKED BY: JC/LCF
 DATE: 07-31-23
 REVISIONS:

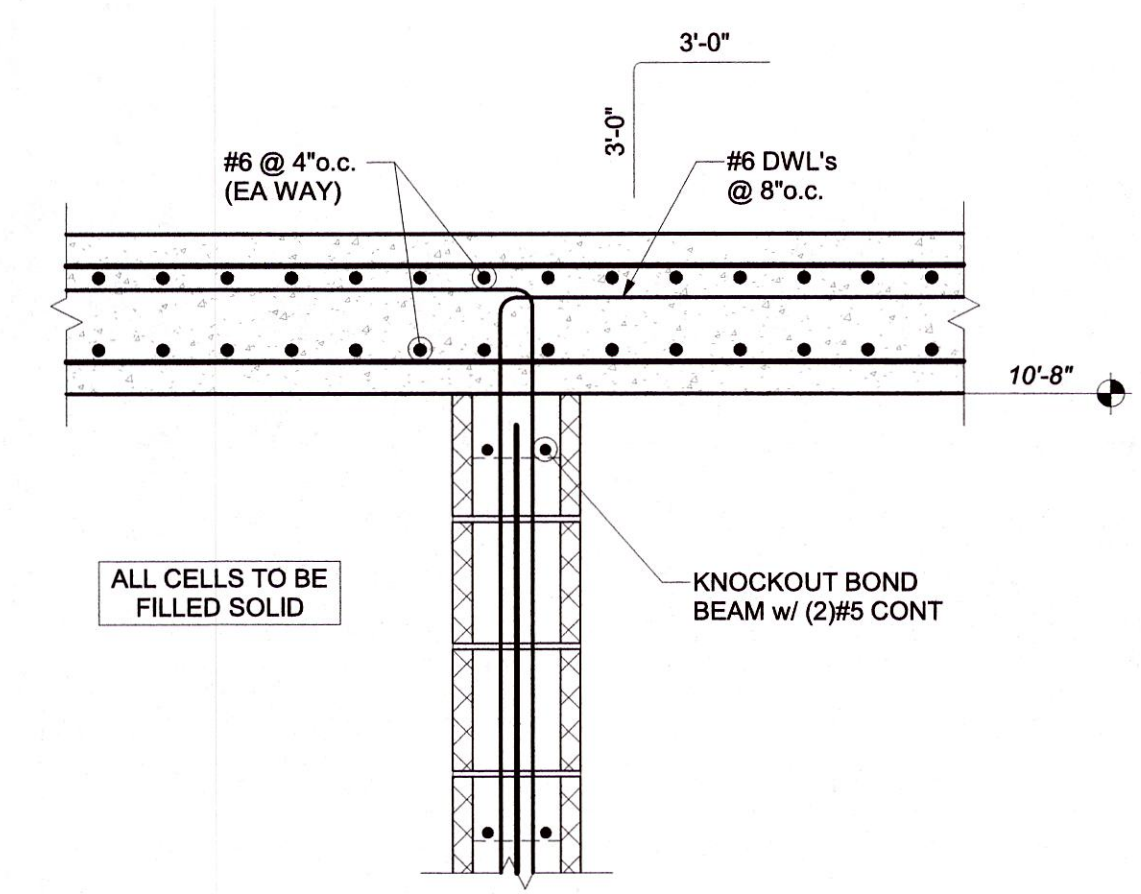
SHEET NO.:
S502



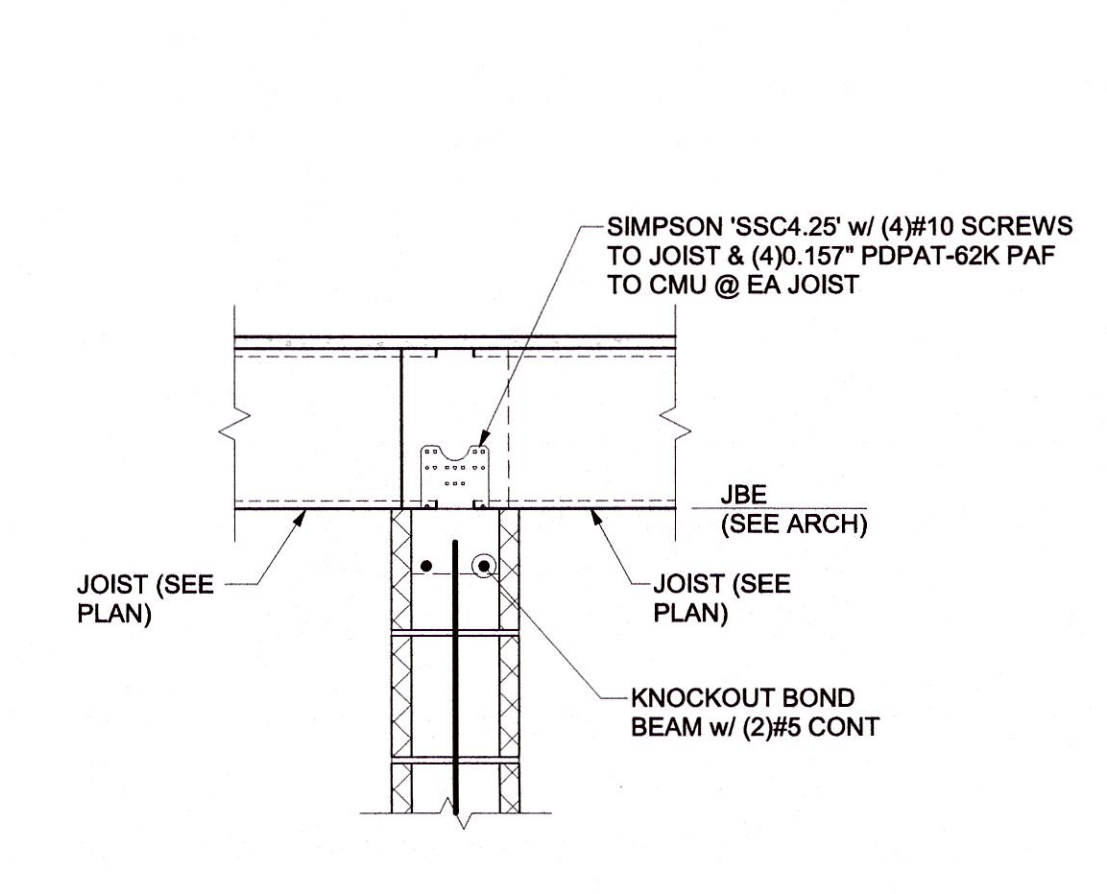
1 SECTION
 1" = 1'-0"



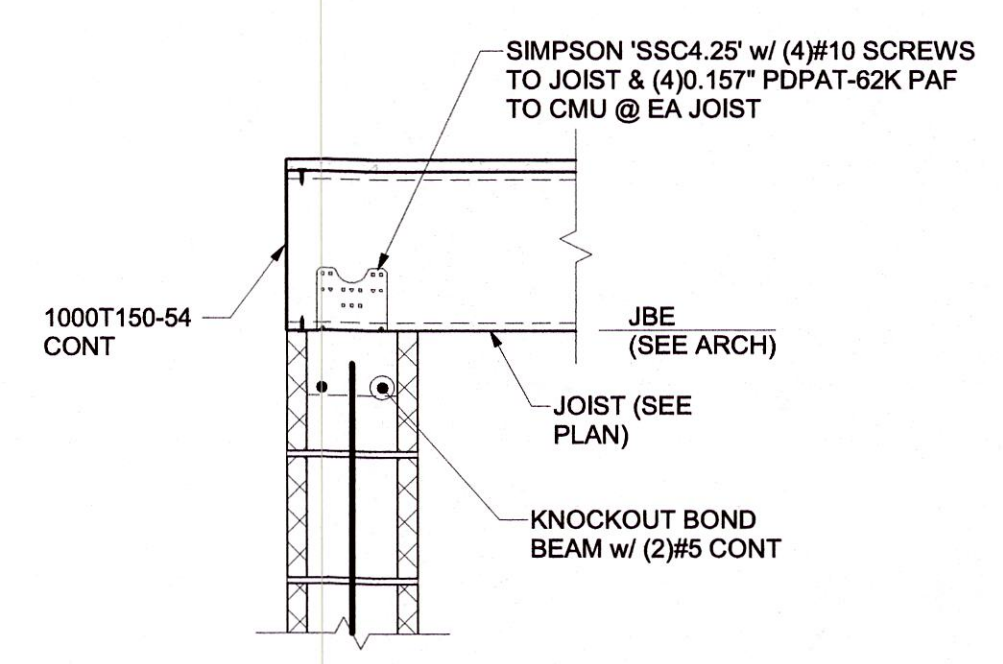
2 SECTION
 1" = 1'-0"



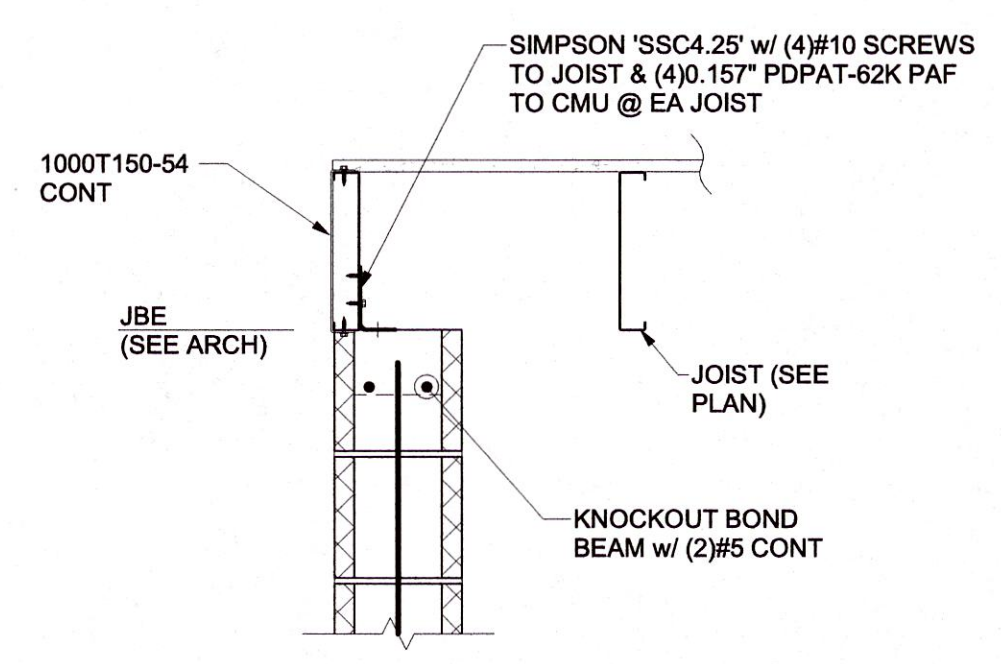
3 SECTION
 1" = 1'-0"



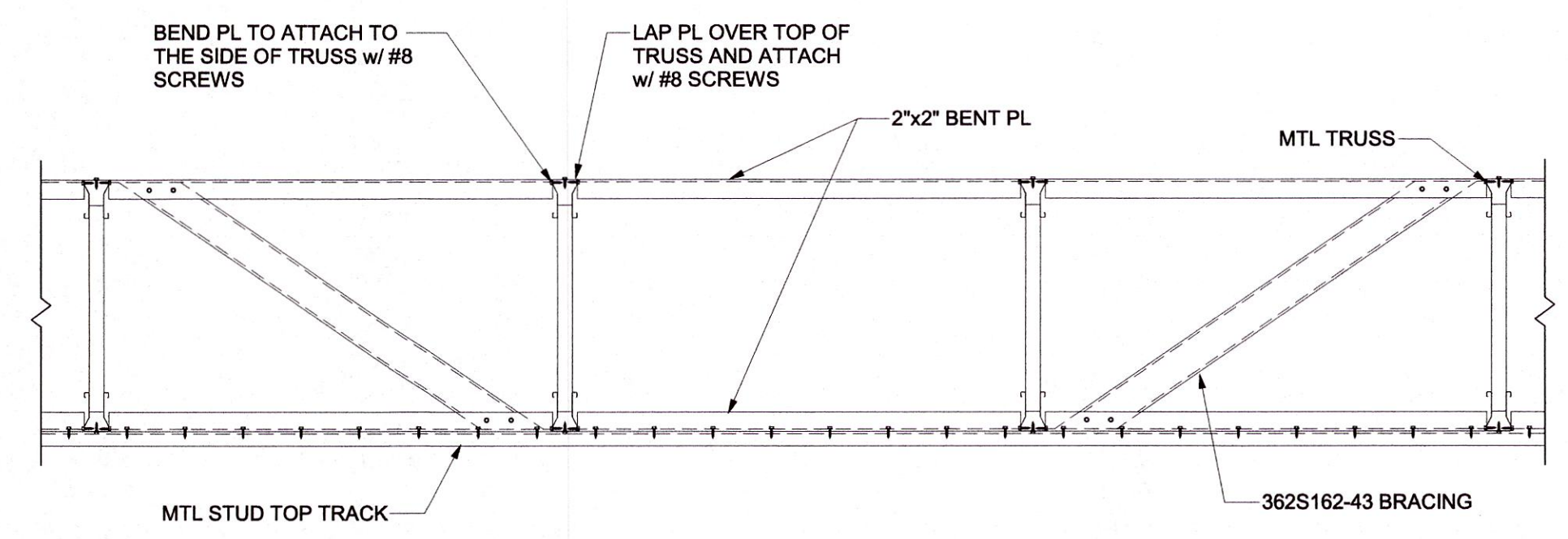
4 SECTION
 1" = 1'-0"



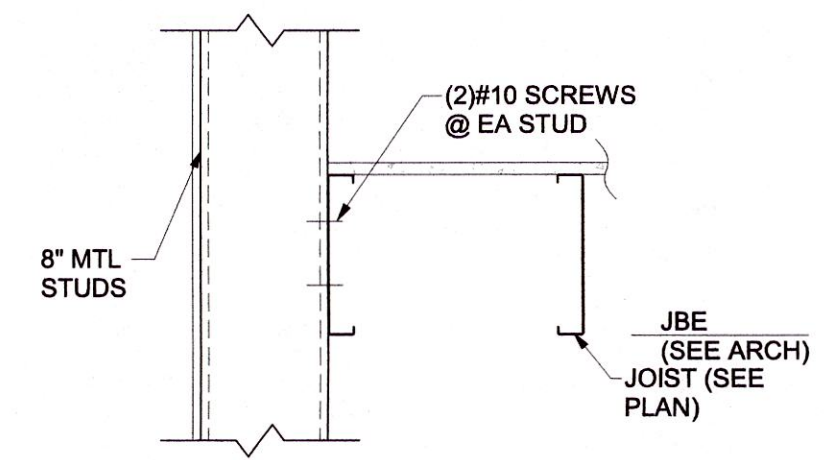
5 SECTION
 1" = 1'-0"



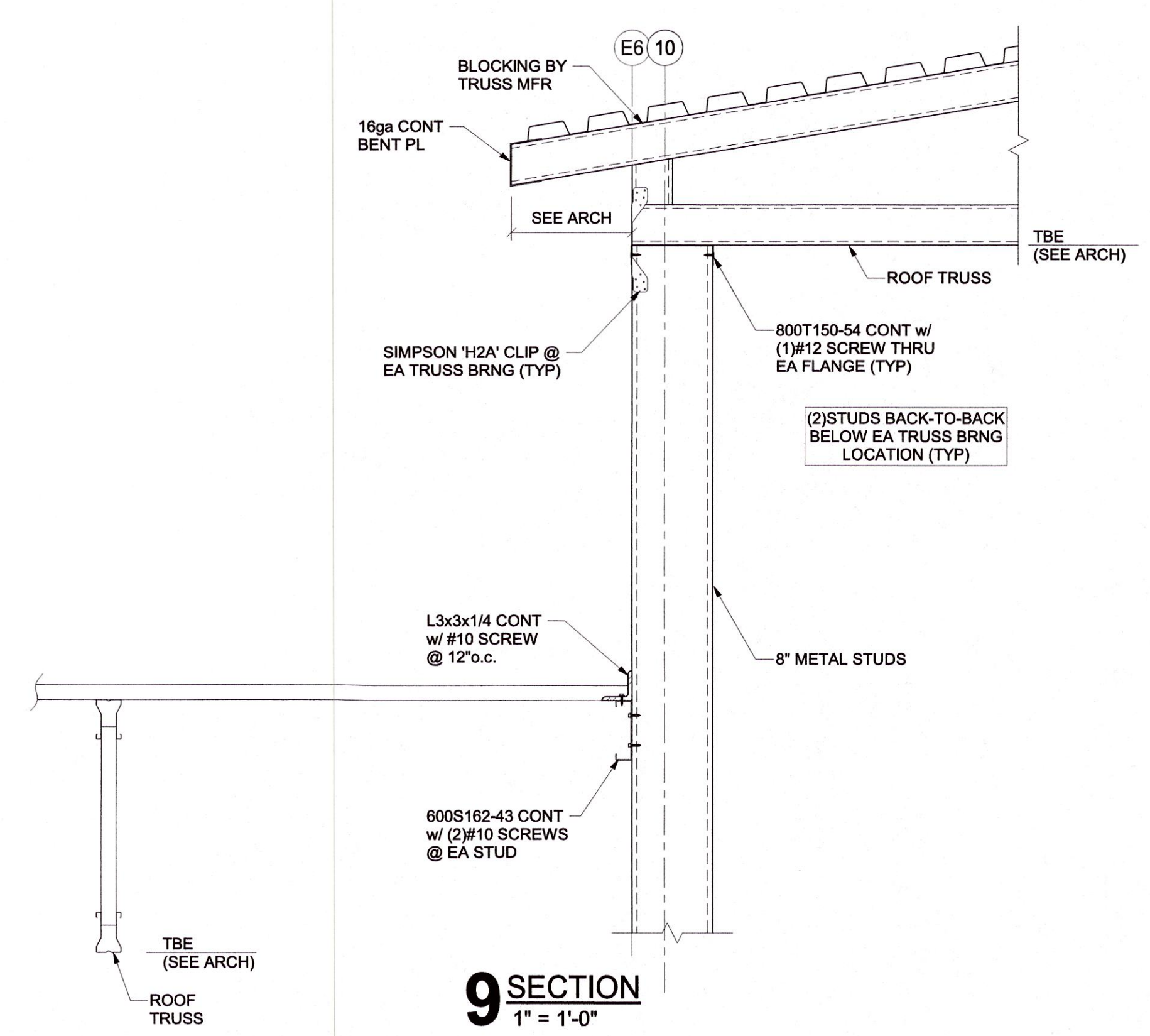
6 SECTION
 1" = 1'-0"



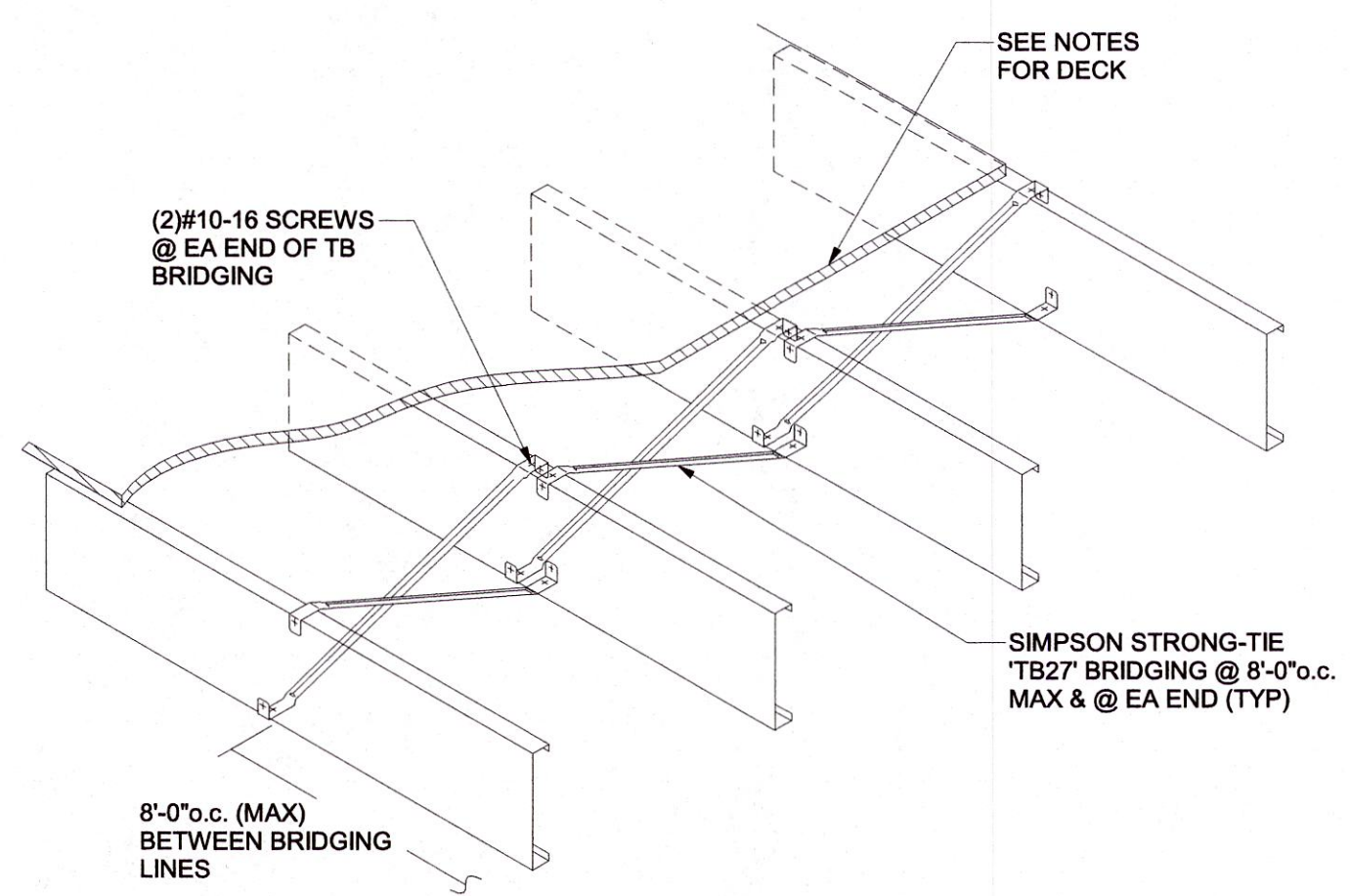
7 TYPICAL LIGHT GAUGE TRUSS BRACING
 NTS



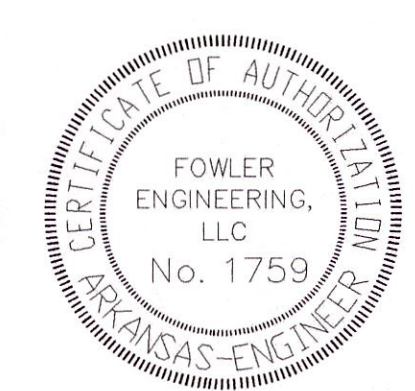
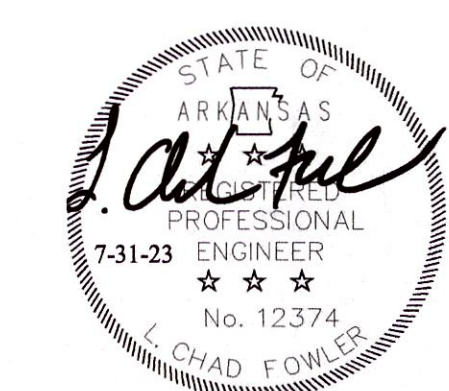
8 SECTION
 1" = 1'-0"



9 SECTION
 1" = 1'-0"



10 TYPICAL JOIST BRIDGING DTL
 NTS



FRAMING DETAILS