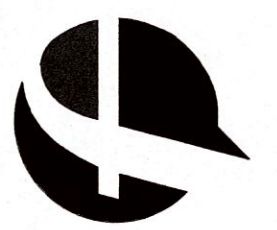
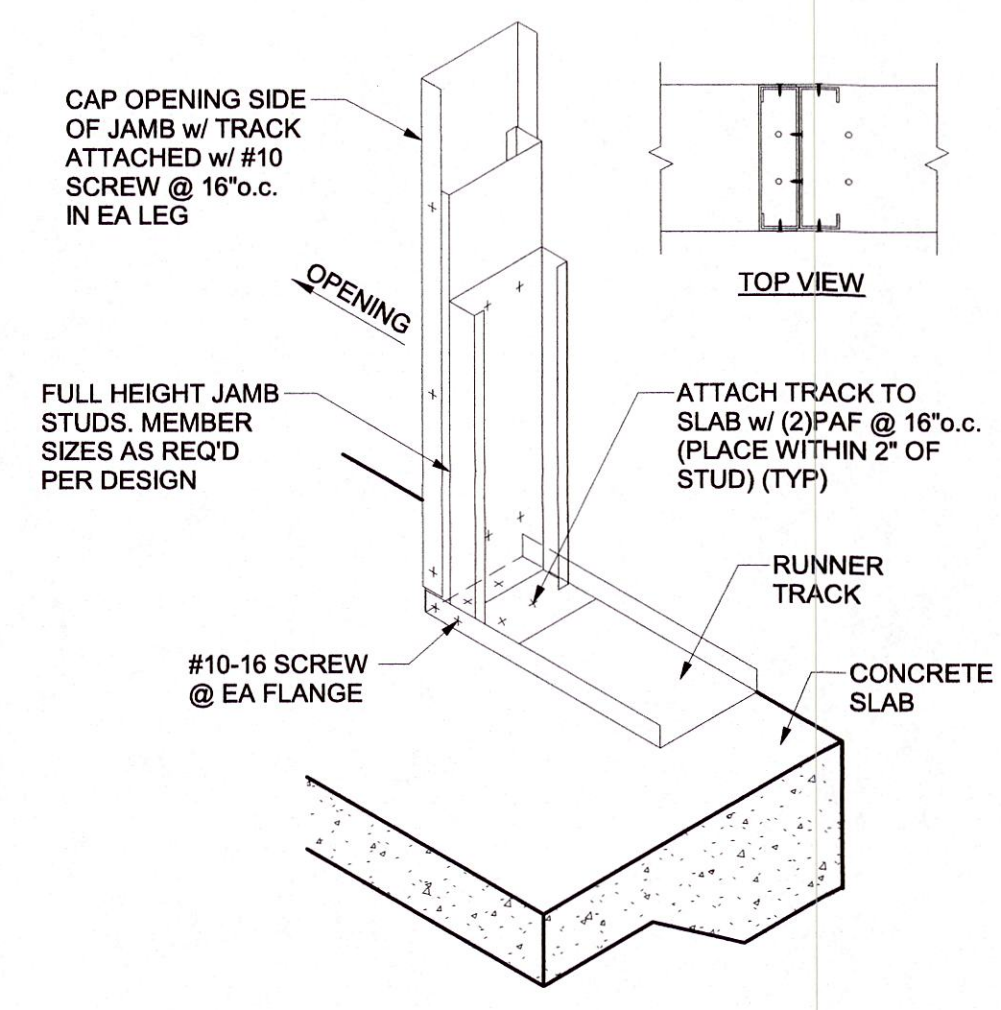


SEAL:

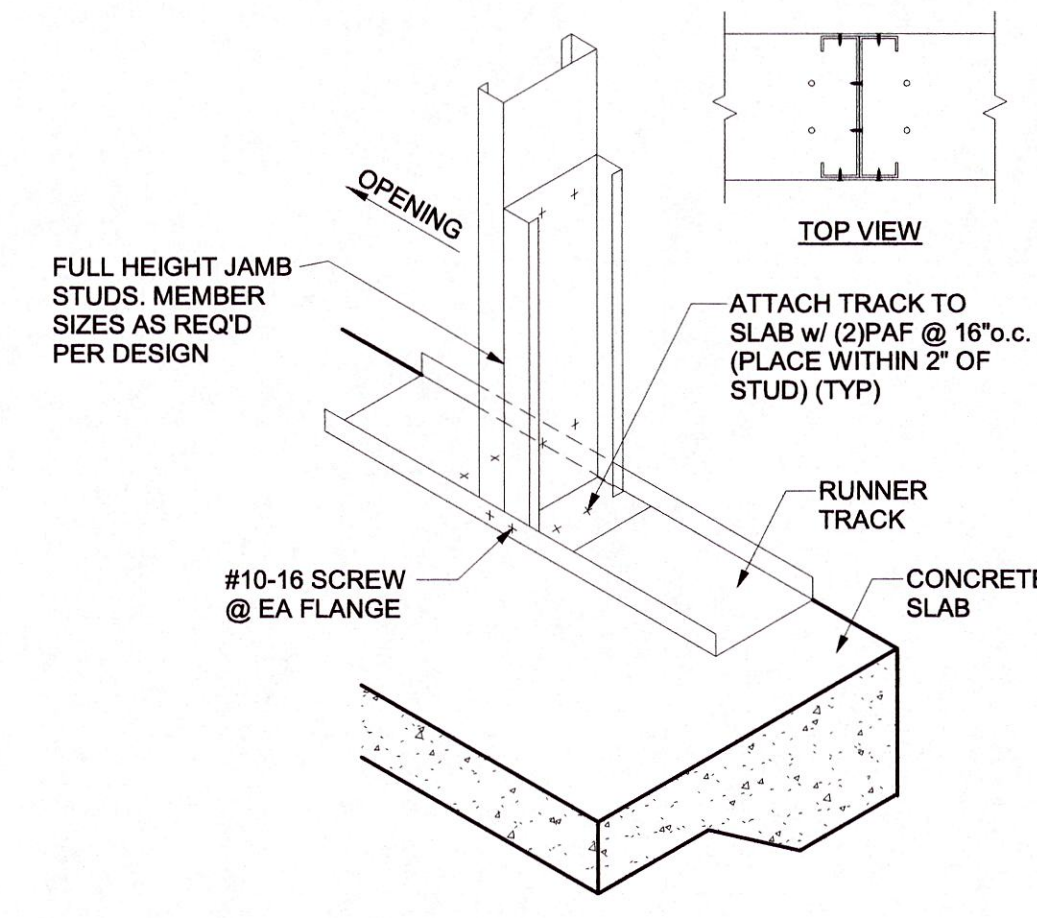
FOWLER ENGINEERING, LLC
 STRUCTURAL ENGINEERING CONSULTANTS
 1989 Oak Tree Cove, Suite A
 Hermandale, MS 38632 | 662-469-9571



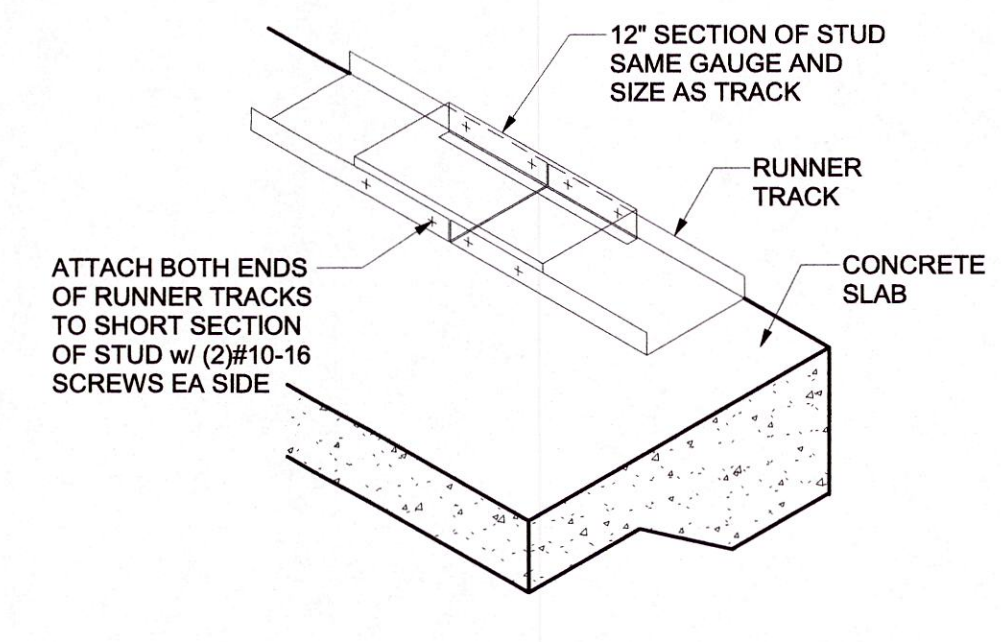
THESE DRAWINGS AND THE DESIGN SHOWN HEREON ARE THE PROPERTY OF HORD ARCHITECTS. THE REPRODUCTION, COPYING OR USE OF THIS INFORMATION WITHOUT HORD ARCHITECTS' WRITTEN CONSENT IS PROHIBITED, AND ANY INFRINGEMENT WILL BE SUBJECT TO LEGAL ACTION.
 HORD ARCHITECTS ©



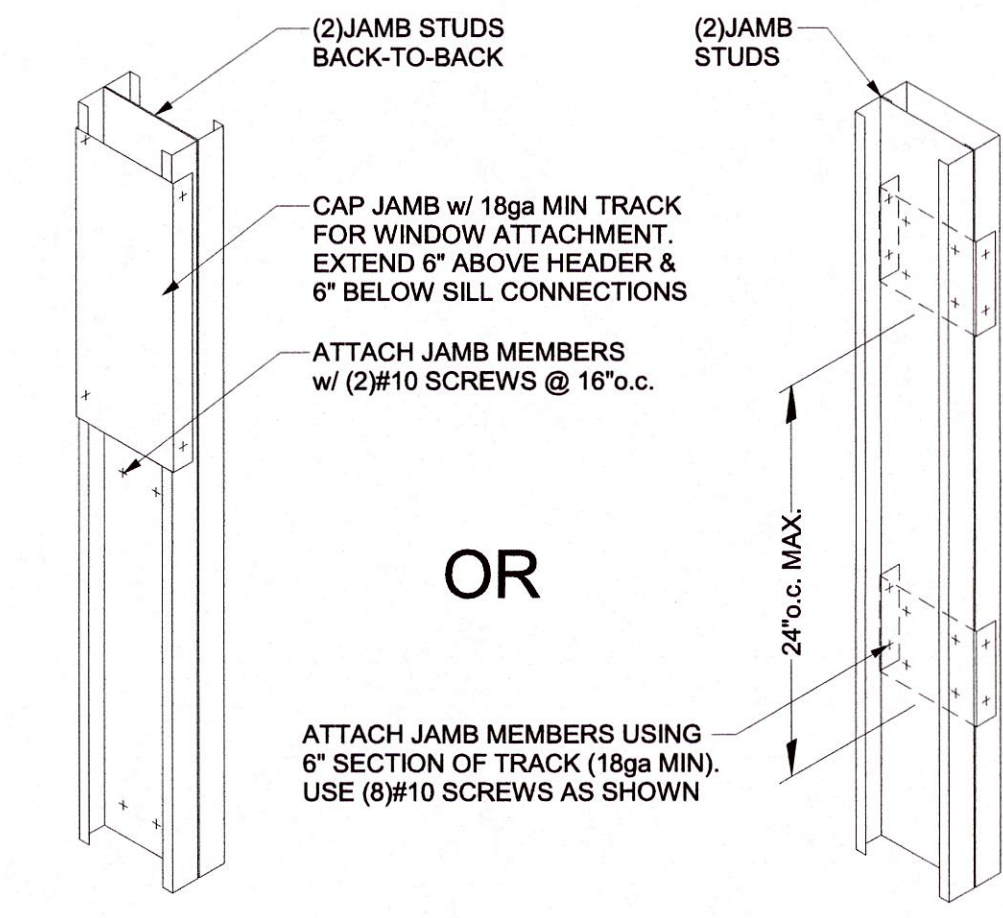
1 JAMB ANCHORAGE - OPENING
NTS



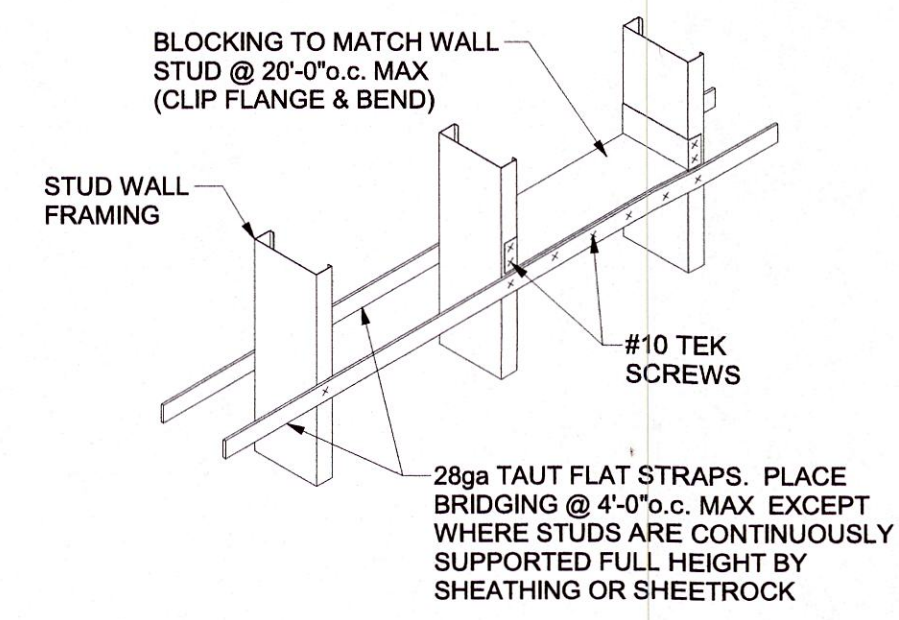
2 JAMB ANCHORAGE - WINDOW
NTS



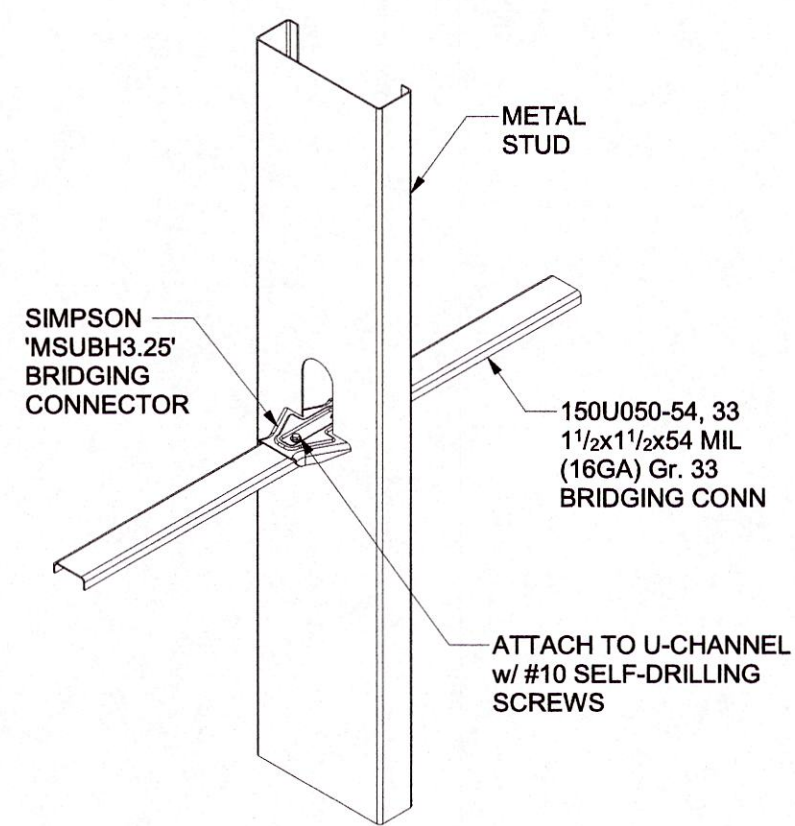
3 TYP TRACK LAP
NTS



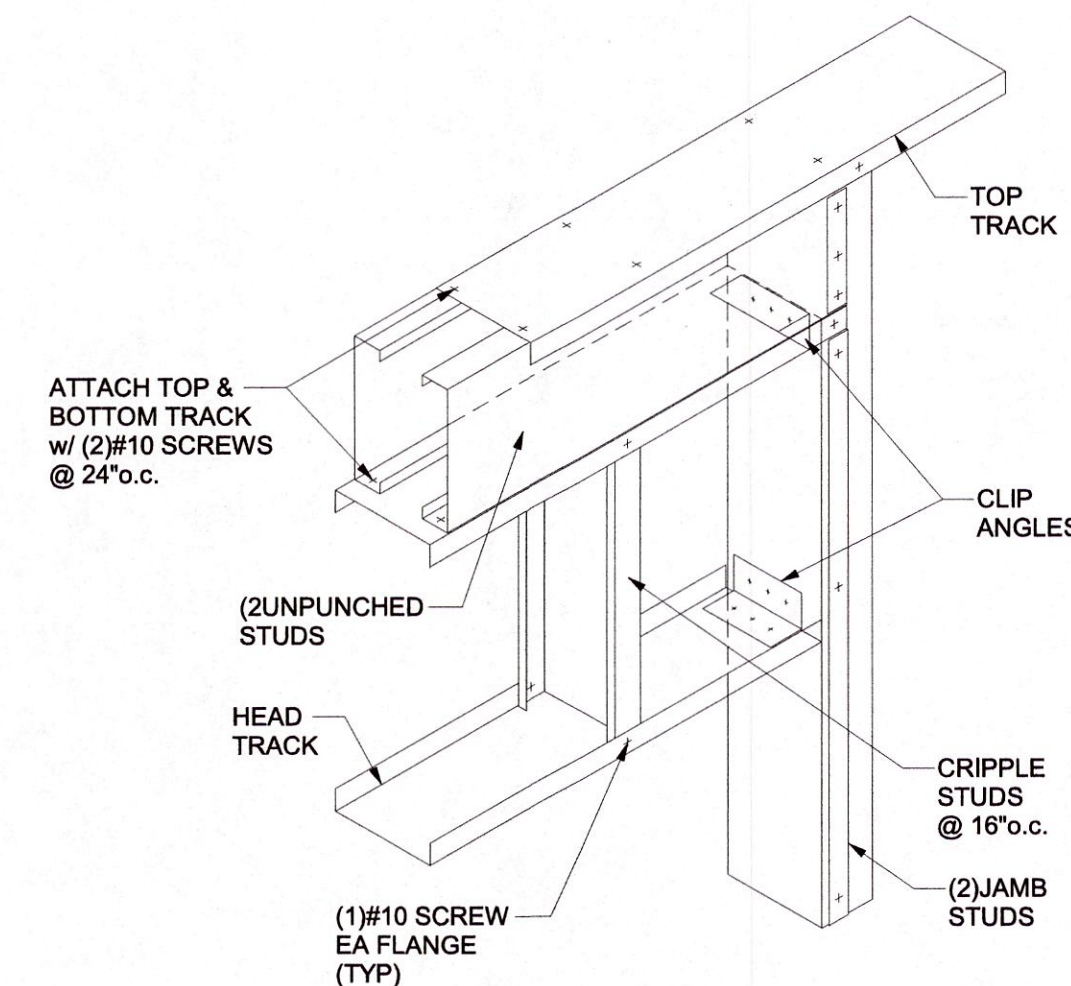
4 TRACK OVERLAP
NTS



5 STUD WALL BRIDGING DETAIL
NTS

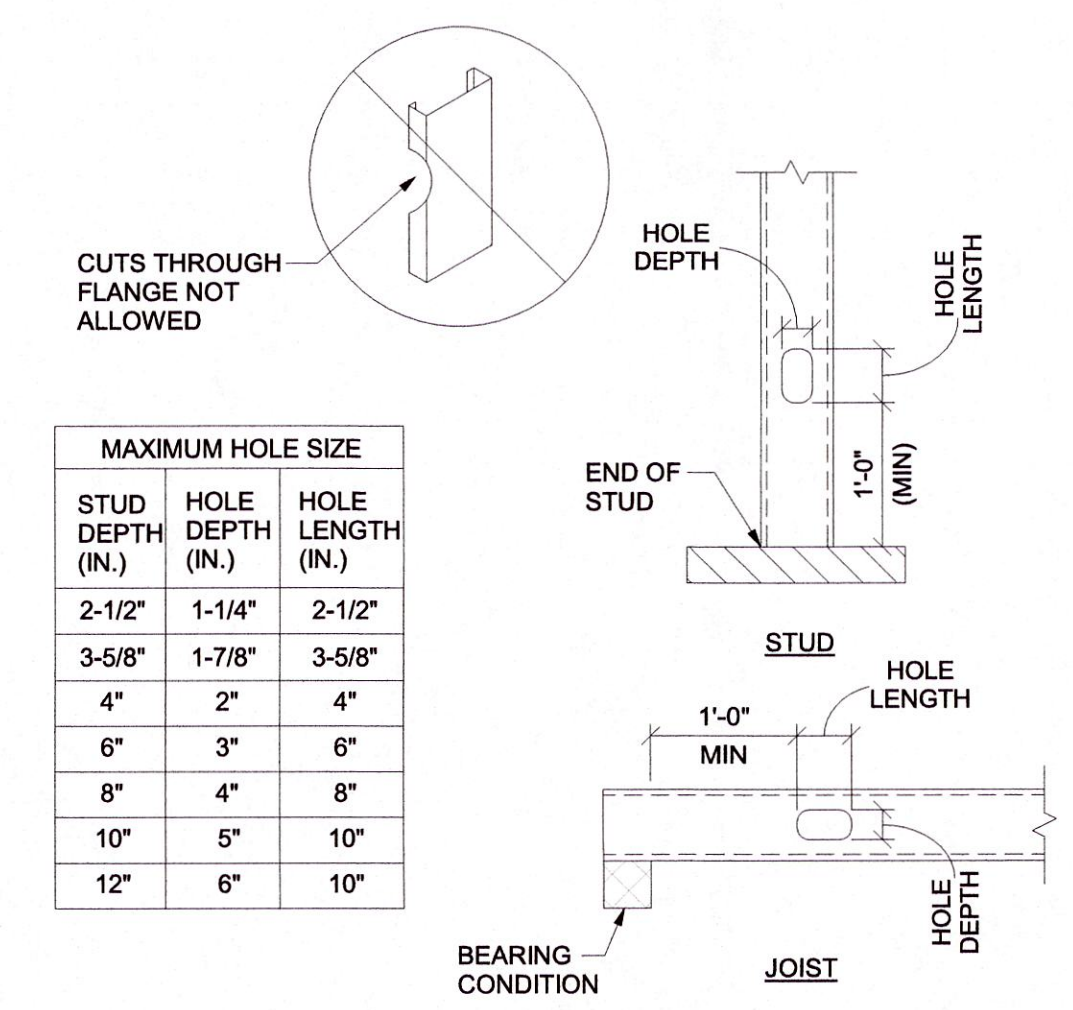


6 TYP WEB BRIDGING DTL
NTS

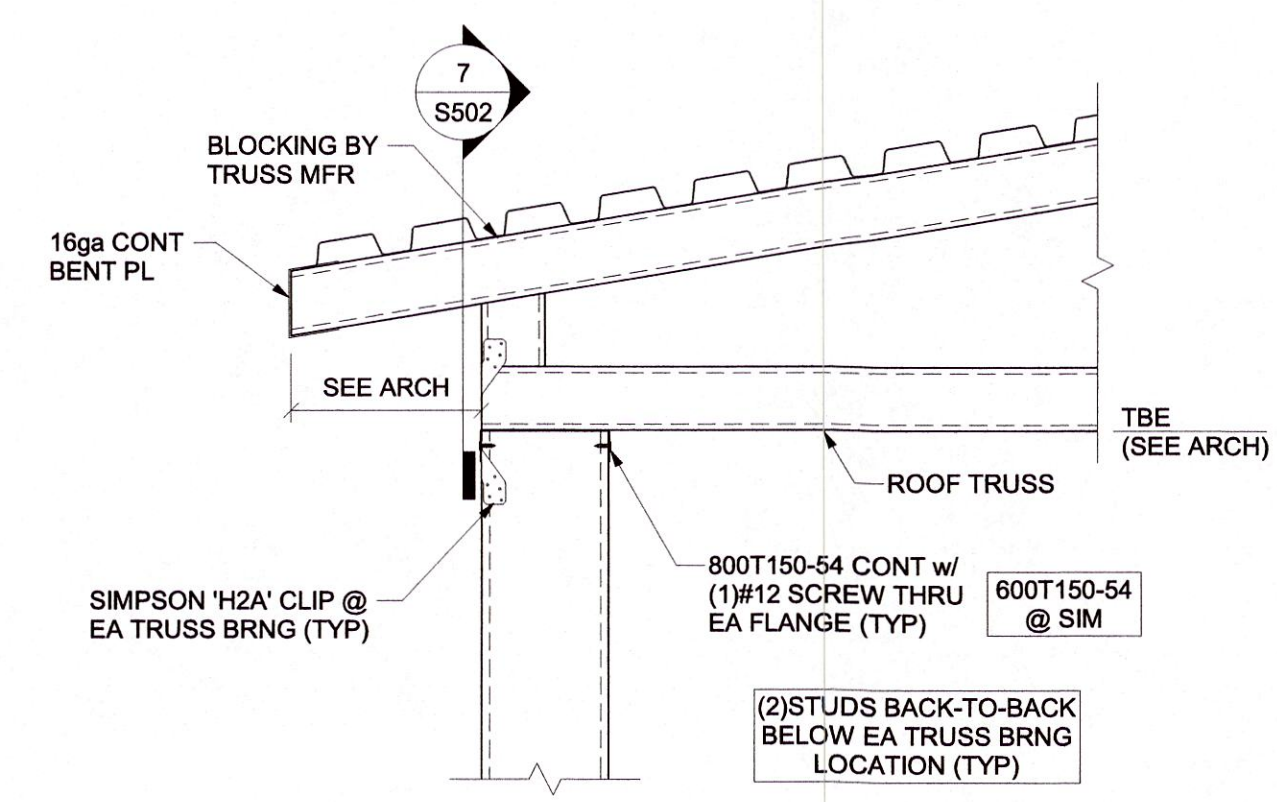


7 METAL STUD HEADER @ LOAD BEARING WALL
NTS

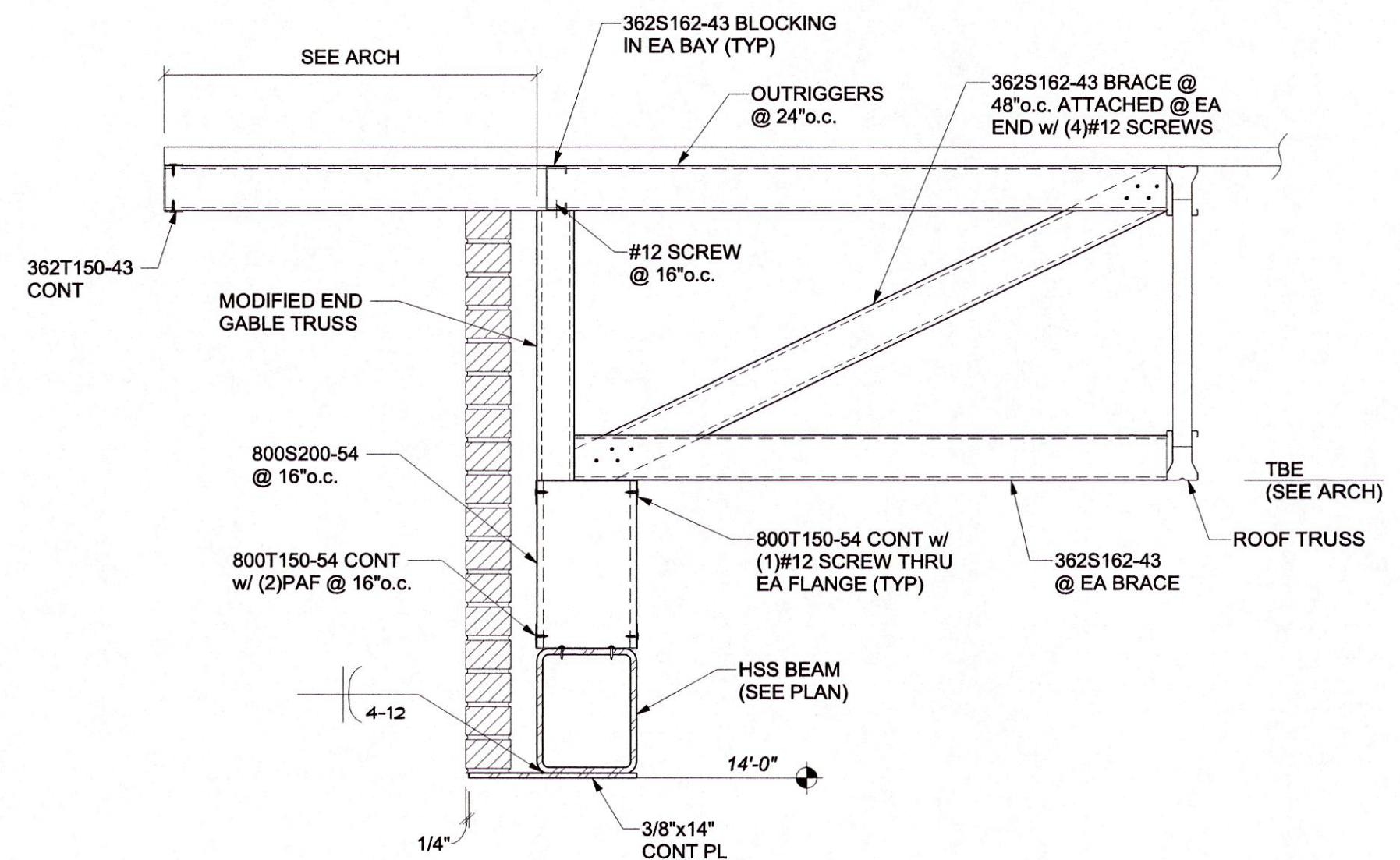
HEADER SCHEDULE	
OPENING WIDTH	HEADER SIZE
UP TO 4'-0"	(2)800S162-43 BOXED HEADER
4'-0" TO 6'-0"	(2)800S162-54 BOXED HEADER
6'-0" TO 8'-0"	(2)800S200-68 BOXED HEADER
8'-0" TO 11'-0"	(2)1000S162-68 BOXED HEADER



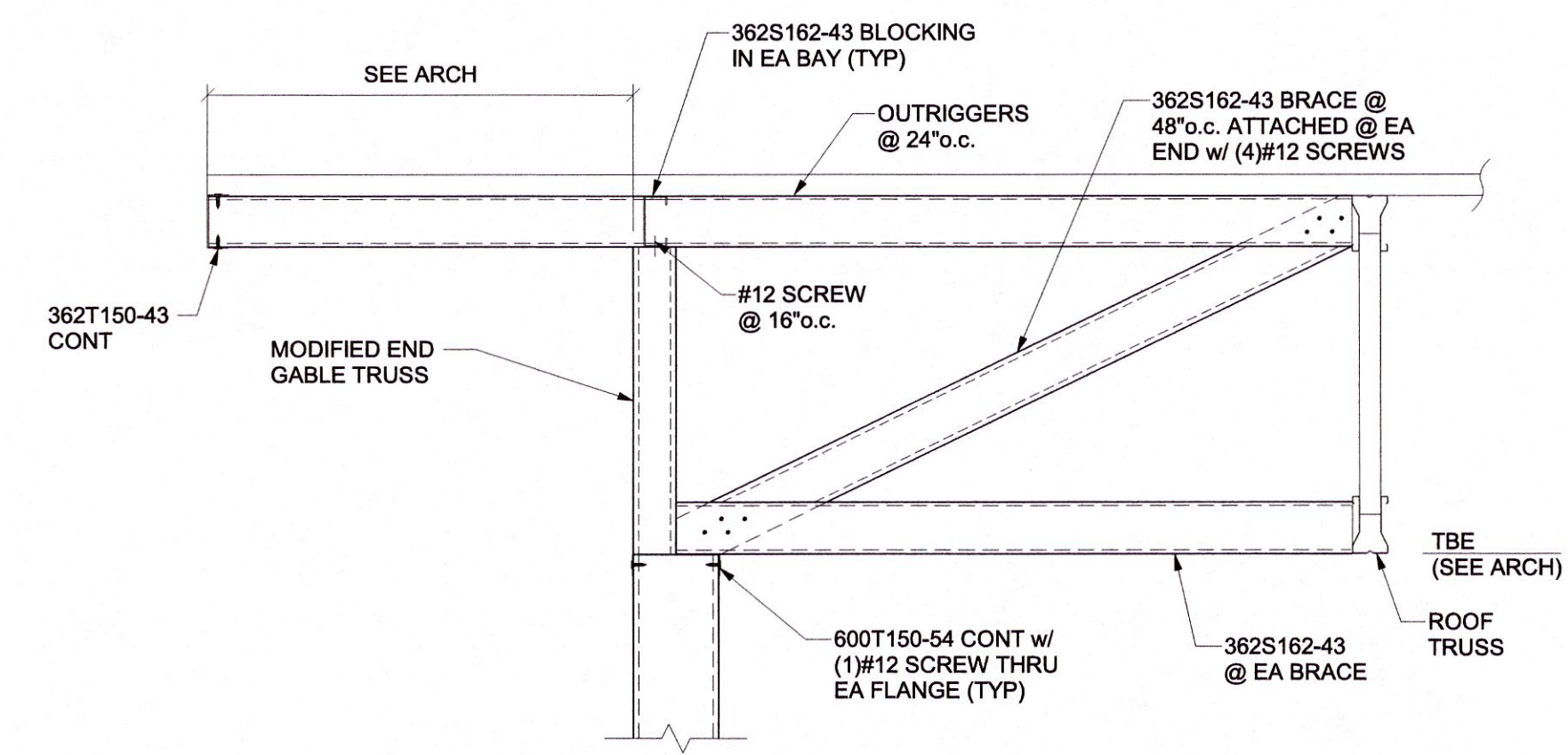
8 FIELD CUT HOLE DETAIL
NTS



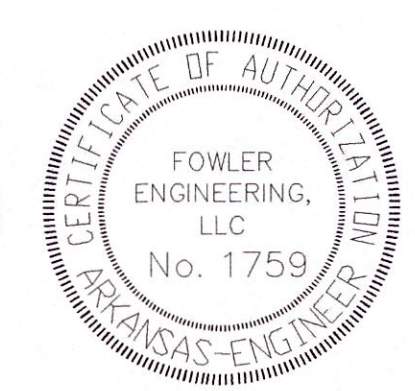
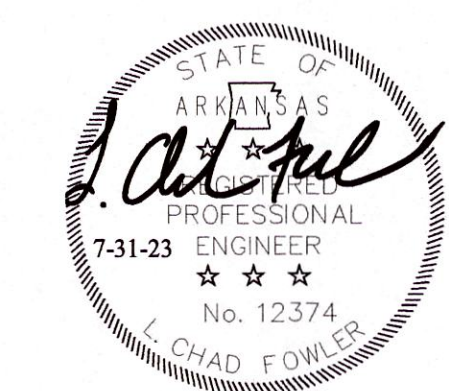
9 SECTION
1" = 1'-0"



10 SECTION
1" = 1'-0"



11 SECTION
1" = 1'-0"



PROPOSED:
TRUMANN FIRE STATION
 801 WEST MAIN ST, TRUMANN, AR 72472

PROJECT NO.: 2023-02
 DRAWN BY: KP
 CHECKED BY: JC/LCF
 DATE: 07-31-23
 REVISIONS:

SHEET NO.:

S501

FRAMING DETAILS