

THESE DRAWINGS AND THE DESIGN SHOWN HEREON ARE THE PROPERTY OF HORD ARCHITECTS. THE REPRODUCTION, COPYING OR USE OF THIS INFORMATION WITHOUT HORD ARCHITECTS' WRITTEN CONSENT IS PROHIBITED, AND ANY INFRINGEMENT WILL BE SUBJECT TO LEGAL ACTION.
HORD ARCHITECTS ©

PROPOSED:
TRUMANN FIRE STATION
801 WEST MAIN ST, TRUMANN, AR 72472

PROJECT NO.: 2023-02
DRAWN BY: KR
CHECKED BY: JC/LCF
DATE: 07-31-23
REVISIONS:

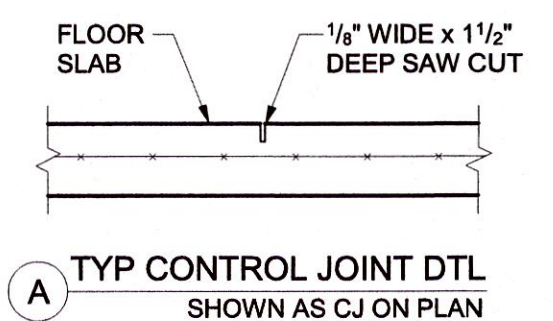
SHEET NO.:

S201

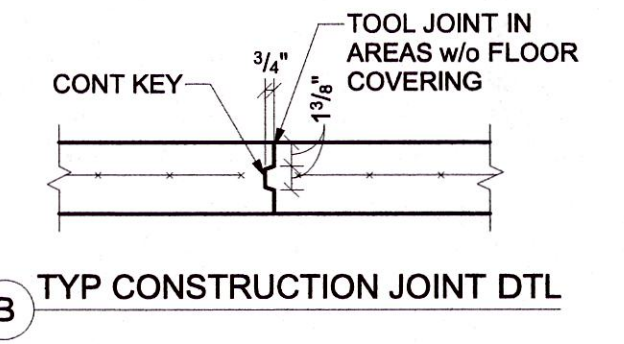
TYP SLAB CONSTRUCTION
4" CONCRETE SLAB w/ 6x6-W2.9xW2.9 W.W.F. ON VAPOR BARRIER (SEE ARCH/SPECS) OVER GRANULAR FILL AS SPECIFIED/RECOMMENDED BY GEOTECH. ENGINEER.

TYP SLAB CONSTRUCTION
4" CONCRETE SLAB w/ 6x6-W2.9xW2.9 W.W.F. ON VAPOR BARRIER (SEE ARCH/SPECS) OVER GRANULAR FILL AS SPECIFIED/RECOMMENDED BY GEOTECH. ENGINEER.

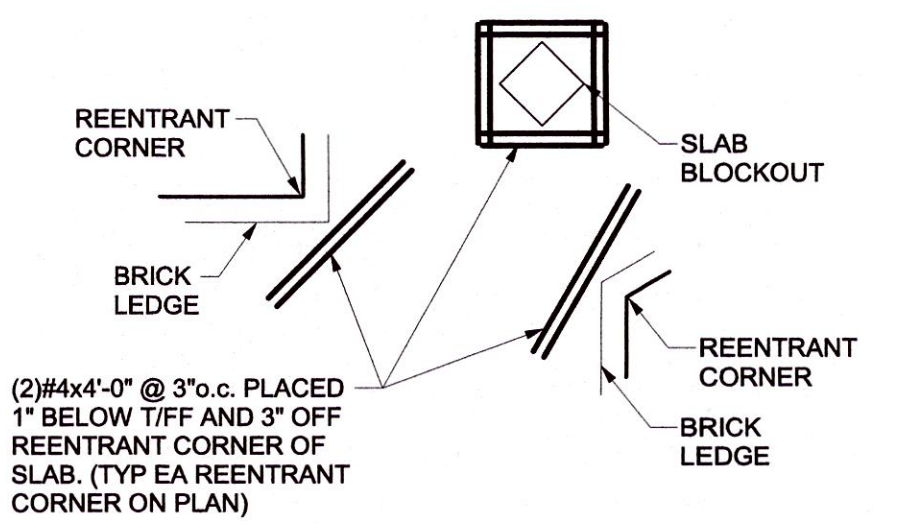
TRUCK BAY SLAB CONSTRUCTION
6" CONCRETE SLAB w/ 6x6-W2.9xW2.9 W.W.F. ON VAPOR BARRIER (SEE ARCH/SPECS) OVER GRANULAR FILL AS SPECIFIED/RECOMMENDED BY GEOTECH. ENGINEER.



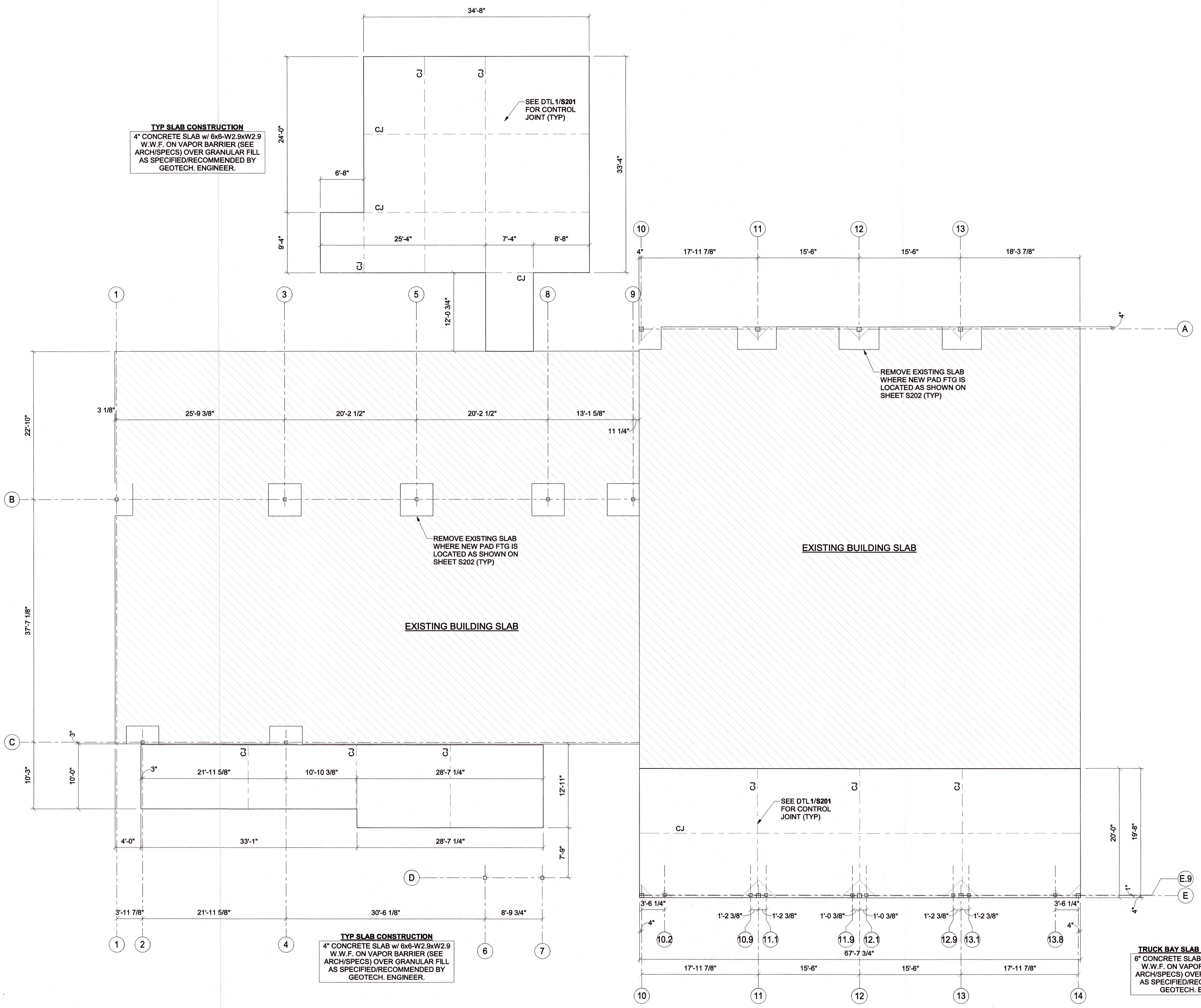
CONTRACTOR:
CONTRACTOR IS RESPONSIBLE FOR JOINTS CRACKING AS SHOWN ON PLAN AND DETAIL. SAWING JOINTS SHALL BEGIN AS SOON AS THE SURFACE IS FIRM ENOUGH SO THAT IT WILL NOT BE TORN OR DAMAGED BY THE BLADE. SLABS MUST BE SAWN ON SAME DAY SLAB IS POURED. DO NOT ALLOW SLAB TO CURE OVERNIGHT BEFORE SAWING.



1 TYP JOINTING DTL
NTS



2 TYP REENTRANT CORNER BARS
NTS



P1 SLAB DIMENSION & JOINTING PLAN
1/8" = 1'-0"

