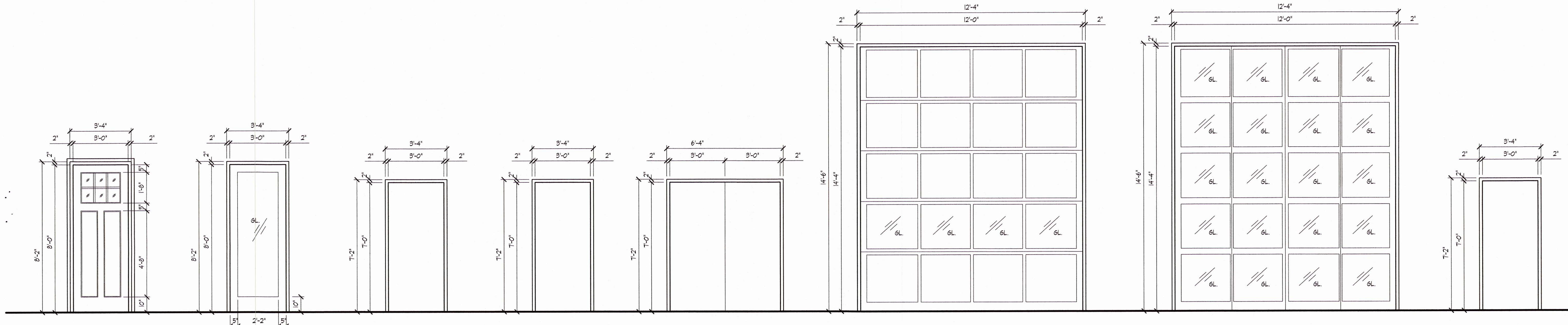
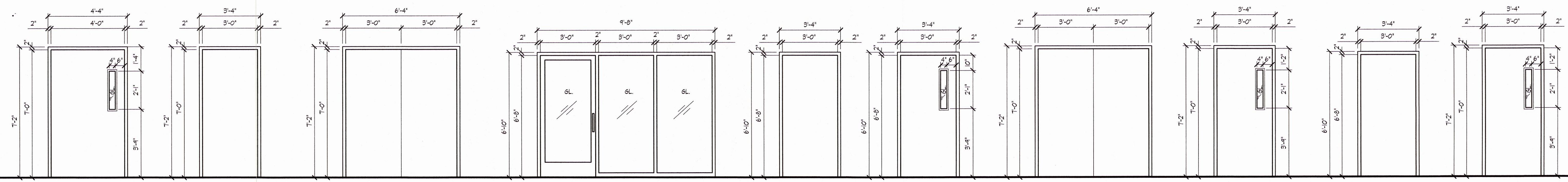


DOOR SCHEDULE

SCALE: 3/8" = 1'-0"



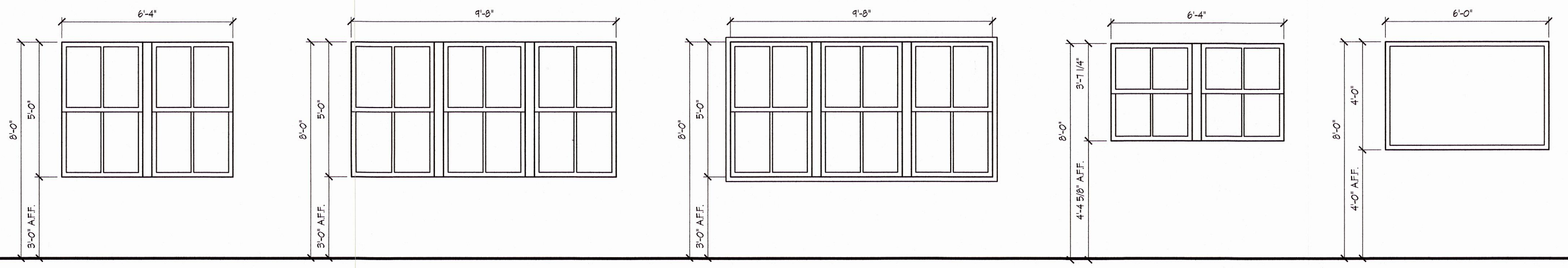
A ALUM. CLAD WOOD RECESSED PANEL EXTERIOR DOOR & FRAME WITH CLEAR TEMPERED 1" INSULATED GLAZING 1-1/8" MANTING 2" BRICK MOULD
B ALUM. CLAD WOOD EXTERIOR DOOR & FRAME WITH CLEAR TEMPERED 1" INSULATED GLAZING
C IMPACT RATED EXTERIOR STEEL FLUSH PANEL DOOR IN HOLLOW MTL. FRAME
D EXTERIOR STEEL FLUSH PANEL INSULATED DOOR IN HOLLOW MTL. FRAME
E EXTERIOR STEEL FLUSH PANEL INSULATED DOOR IN HOLLOW MTL. FRAME
F ALUM. EXTERIOR OVERHEAD DOOR & FRAME WITH FULLY INSULATED PANELS AND CLEAR TEMPERED 1" INSULATED GLAZING IN ONE SECTION
G ALUM. EXTERIOR FOLDING DOOR & FRAME WITH CLEAR TEMPERED 1" INSULATED GLAZING
H 2 HR. RATED INTERIOR STEEL FLUSH PANEL DOOR & FRAME



J 2 HR. RATED INTERIOR STEEL FLUSH PANEL DOOR IN HOLLOW MTL. FRAME WITH VIEW PANEL- 4' x 25" TEMPERED GLASS
K INTERIOR STEEL FLUSH PANEL DOOR IN HOLLOW MTL. FRAME
L INTERIOR STEEL FLUSH PANEL DOOR IN HOLLOW MTL. FRAME
M 20 MINUTE RATED DOOR SYSTEM ALUM. STOREFRONT DOOR AND FRAME W/ NARROW RAILS AND STILES W/ TEMPERED GLASS
N 20 MINUTE RATED DOOR SYSTEM INTERIOR PAINTED SOLID CORE BIRCH VENEER DOOR IN HOLLOW METAL FRAME
P INTERIOR PAINTED SOLID CORE BIRCH VENEER DOOR IN HOLLOW METAL FRAME WITH VIEW PANEL- 6' x 30" TEMPERED GLASS SET VIEW PANEL IN WOOD FRAME
Q 20 MINUTE RATED DOOR SYSTEM BIRCH VENEER DOOR IN HOLLOW METAL FRAME
R 2 HR. RATED INTERIOR STEEL FLUSH PANEL DOOR IN HOLLOW MTL. FRAME WITH VIEW PANEL- 4' x 25" TEMPERED GLASS
S 45 MIN. RATED INTERIOR STEEL FLUSH PANEL DOOR IN HOLLOW MTL. FRAME
T 20 MIN. RATED SOLID CORE BIRCH VENEER DOOR IN HOLLOW MTL. FRAME WITH VIEW PANEL- 4' x 25" TEMPERED GLASS

WINDOW SCHEDULE

SCALE: 3/8" = 1'-0"



1 ALUMINUM CLAD SINGLE-HUNG WOOD WINDOW WITH CLEAR LOW-E INSULATED GLAZING 4" MULLION 1-1/8" MANTING
2 ALUMINUM CLAD SINGLE-HUNG WOOD WINDOW WITH CLEAR LOW-E INSULATED GLAZING 4" MULLIONS 1-1/8" MANTING
3 ALUMINUM CLAD SINGLE-HUNG WOOD WINDOW WITH CLEAR LOW-E INSULATED GLAZING 4" MULLION 1-1/8" MANTING 2" BRICK MOULD
4 ALUMINUM CLAD SINGLE-HUNG WOOD WINDOW WITH CLEAR LOW-E INSULATED GLAZING 4" MULLION 1-1/8" MANTING
5 90 MIN RATED WINDOW IN HOLLOW METAL FRAME W/ FIRE RATED GLASS

HARDWARE SCHEDULE

- SET 1**
 3 HINGES
 1 PANIC DEVICE W/ TRIM
 1 CLOSER
 1 THRESHOLD
 1 ELECTRONIC FOB LOCKSET
 W/ EXTERIOR PULL
 1 ELECTRONIC KEYPAD
 ENTRY ACCESS
 WEATHER STRIPPING
- SET 2**
 3 HINGES
 1 PANIC DEVICE W/ TRIM
 1 CLOSER
 1 THRESHOLD
 1 ELECTRONIC KEYPAD
 ENTRY ACCESS LOCKSET
 W/ EXTERIOR PULL
 WEATHERSTRIPPING
- SET 3**
 2 CLOSERS
 1 THRESHOLD
 1 ELECTRONIC KEYPAD
 ENTRY ACCESS LOCKSET
 W/ EXTERIOR PULL
 WEATHERSTRIPPING
- SET 4**
 2 STEEL TRACK
 1 ELECTRIC OPERATOR MOTOR
 1 INTERIOR ELECTRONIC CONTROL STATION
 1 EXTERIOR KEYPAD
 ENTRY ACCESS
 2 END STILE
 BOLT DOOR LOCK
 REVERSE ANGLE JAMB
 WEATHERSTRIPPING
 VINYL HEAD WEATHER SEAL
- SET 5**
 3 HINGES
 1 CLOSER
 1 LOCK SET
 1 SILENCERS
 STOP
- SET 6**
 3 HINGES
 1 CLOSER
 1 ELECTRONIC FOB ACCESS LOCKSET
 SILENCERS
 STOP
- SET 7**
 3 HINGES
 1 CLOSER
 1 PRIVACY LATCH W/ COIN OPERATOR
 SILENCERS
 STOP
- SET 8**
 6 HINGES
 1 HEAD & FOOT BOLT
 LOCK SET
 SILENCER
 STOP
- SET 9**
 3 HINGES
 1 CLOSER
 1 PUSH/PULL PLATES
 SILENCER
 STOP
- SET 10**
 3 HINGES
 1 CLOSER
 1 PUSH/PULL PLATES
 SILENCERS
 STOP
- SET 11**
 2 STEEL TRACK
 1 ELECTRIC OPERATOR MOTOR
 1 INTERIOR ELECTRONIC CONTROL STATION
 1 EXTERIOR KEYPAD
 ENTRY ACCESS
 COMPRESSION
 WEATHERSTRIPPING
- SET 12**
 3 HINGES
 1 LOCKSET
 SILENCERS
 STOP
- SET 13**
 3 HINGES
 1 CLOSER
 1 ELECTRONIC FOB ACCESS LOCKSET
 1 PANIC DEVICE W/ TRIM
 SILENCERS
 STOP
- SET 14**
 3 HINGES
 1 PANIC DEVICE W/ TRIM
 SILENCERS
 STOP
- SET 15**
 3 HINGES
 1 CLOSER
 1 LOCKSET
 1 MAGNETIC HOLD OPEN CONNECTED TO FIRE ALARM
 SILENCERS
 STOP
- SET 16**
 3 HINGES
 1 PRIVACY LATCH W/ COIN OPERATOR
 SILENCERS
 STOP
- HARDWARE NOTES:**
- ALL HARDWARE IN RATED ASSEMBLIES SHALL BE RATED HARDWARE.
 - PROVIDE THRESHOLDS AND WEATHERSTRIP KITS FOR EXTERIOR DOORS.
 - COORDINATE KEYING WITH OWNER.
 - PROVIDE QUICK RELEASE KEY NEAR PRIVACY LATCHES AT RESTROOMS.
 - ALL HARDWARE SHALL BE ADA COMPLIANT.
 - ALL STORAGE ROOM DOORS SHALL BE OPERABLE FROM INSIDE.
 - EXTERIOR DOOR SILLS SHALL PROVIDE 1/4" VERTICAL SILL FOR WEATHER-TIGHT SEAL - TYPICAL.



HORD ARCHITECTS
 66 Monroe Avenue, Suite 105 — Memphis, TN 38103
 tel. 901-527-9085 — fax. 901-527-9087

THESE DRAWINGS AND THE DESIGN SHOWN HEREON ARE THE PROPERTY OF HORD ARCHITECTS. THE REPRODUCTION, COPYING OR USE OF THIS INFORMATION WITHOUT HORD ARCHITECTS' WRITTEN CONSENT IS PROHIBITED, AND ANY INFRINGEMENT WILL BE SUBJECT TO LEGAL ACTION.
 HORD ARCHITECTS ©

PROPOSED:
TRUMANN FIRE STATION
 801 WEST MAIN ST, TRUMANN, AR 72472

PROJECT NO.: 2023-02
 DRAWN BY: EI
 CHECKED BY: CAH
 DATE: 07-31-2023
 REVISIONS:

SHEET NO.:
A701

COPYRIGHT HORD ARCHITECTS Aug 07, 2023 - 12:22pm