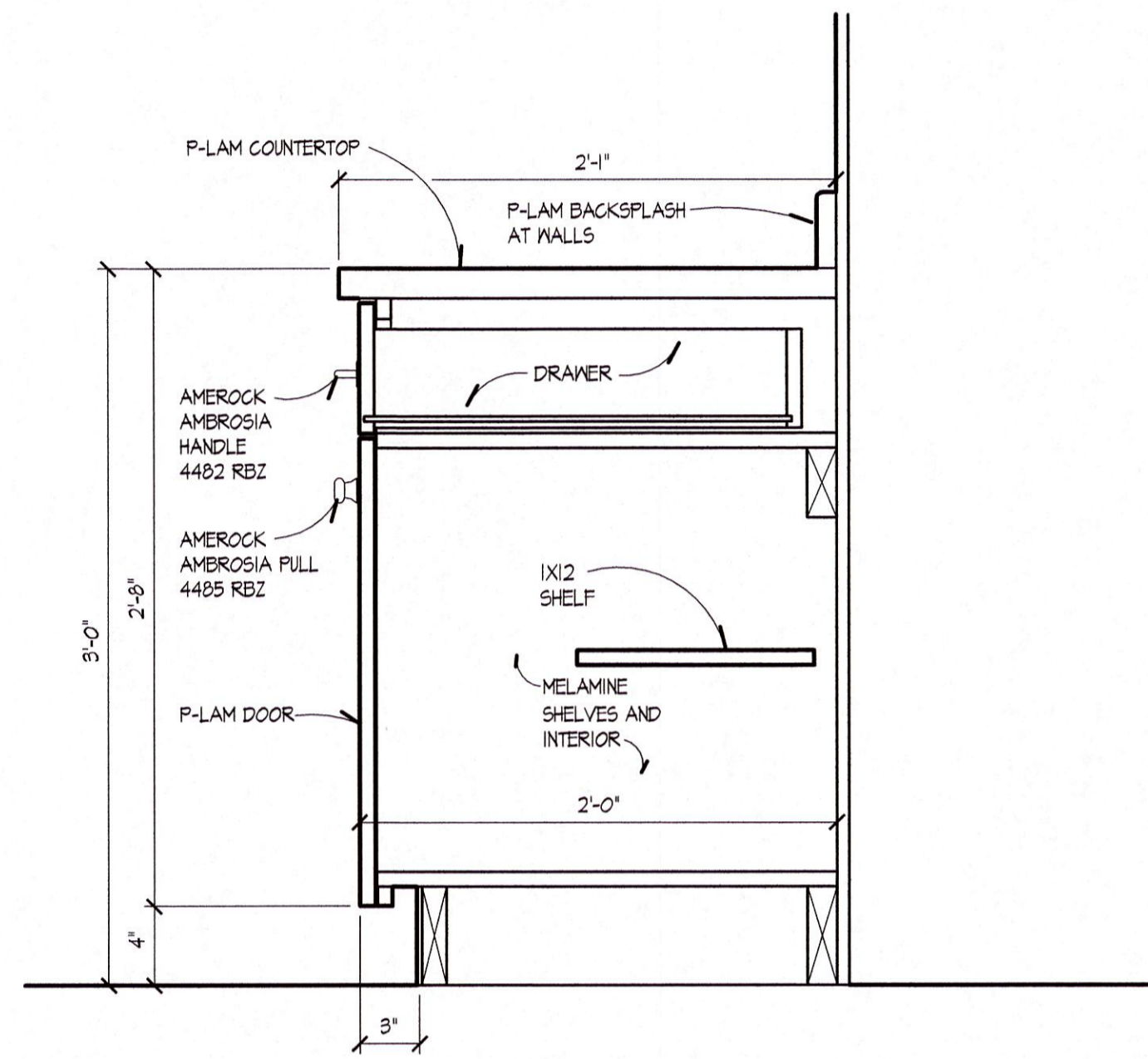
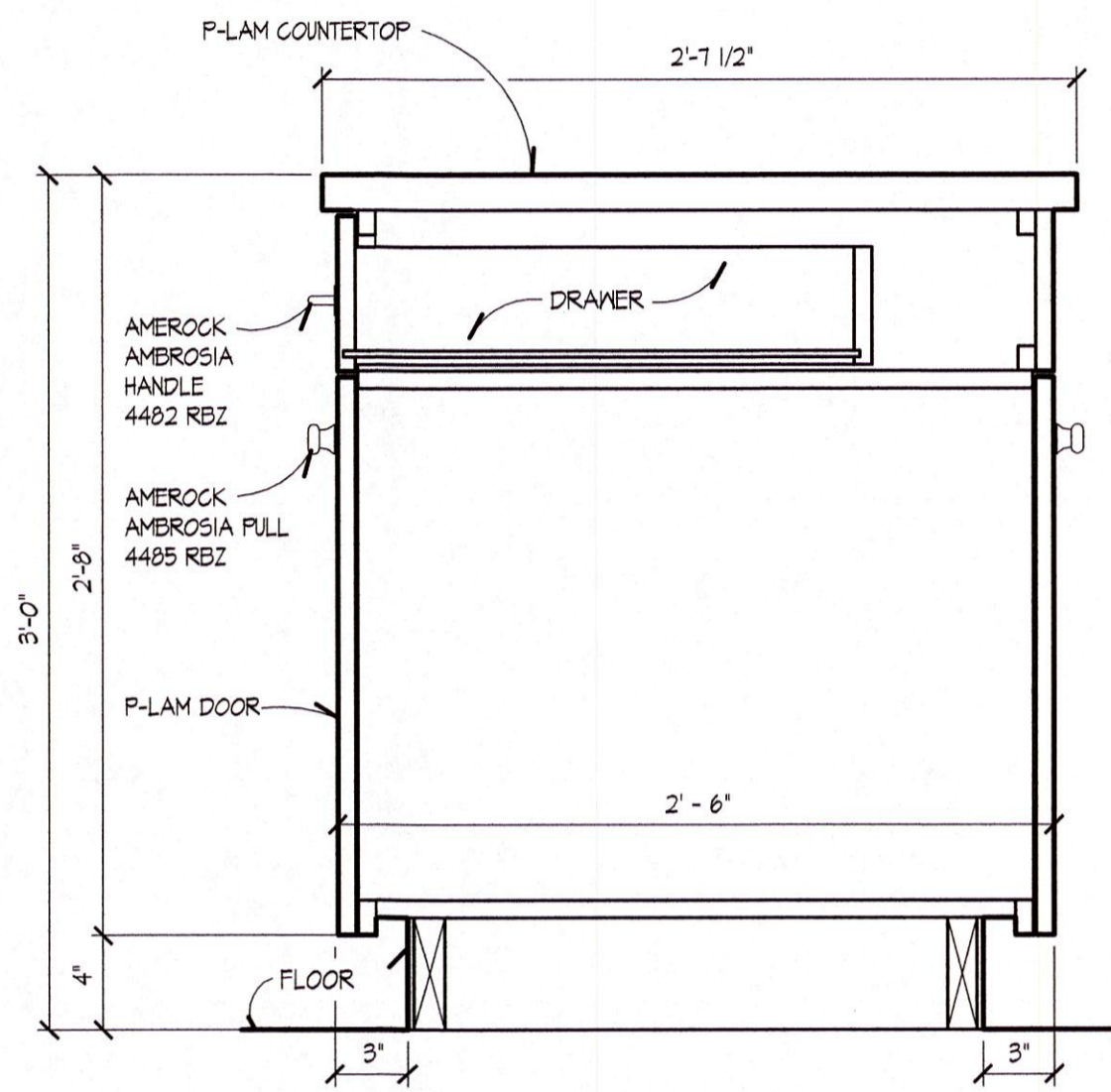


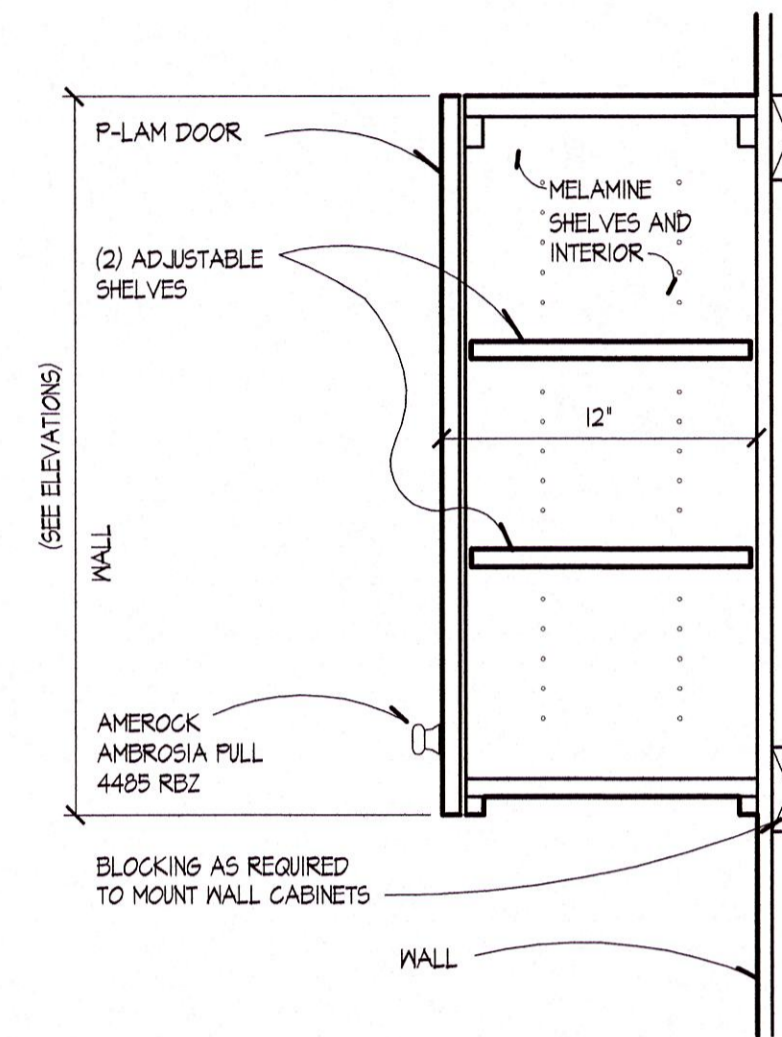
**1** **SHELVING**  
A503 SCALE: 1 1/2" = 1'-0"



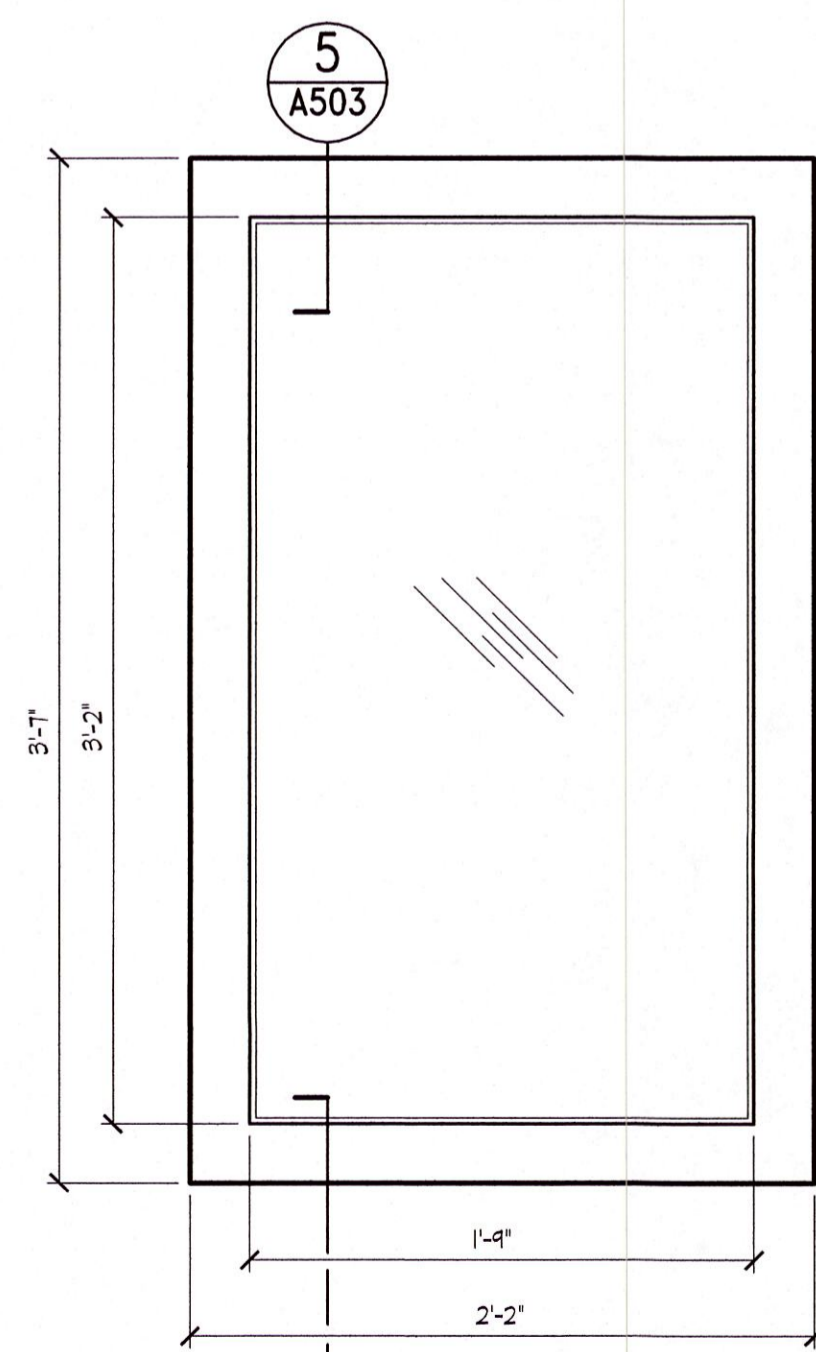
**2** **LOWER CABINETS**  
A503 SCALE: 1 1/2" = 1'-0"



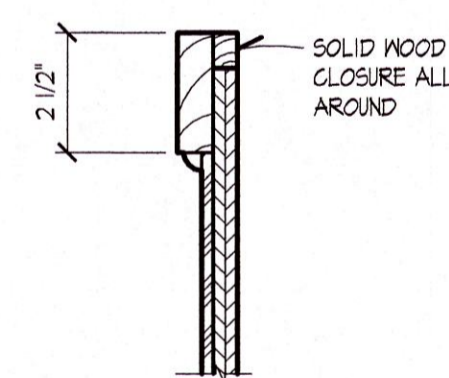
**3** **CABINET DRAWERS**  
A503 SCALE: 1 1/2" = 1'-0"



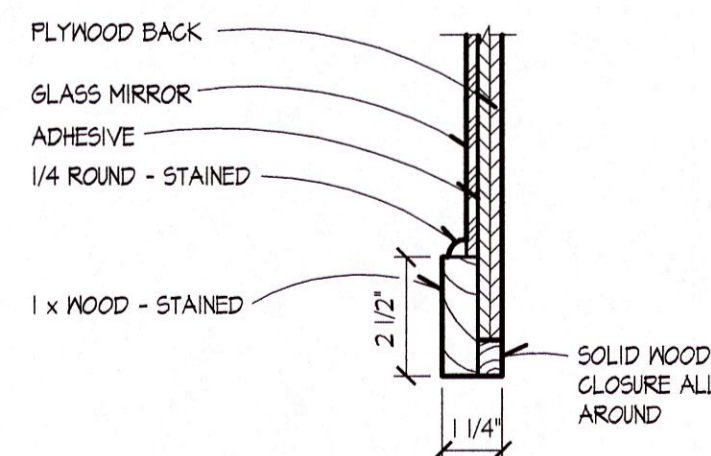
**4** **UPPER CABINETS**  
A503 SCALE: 1 1/2" = 1'-0"



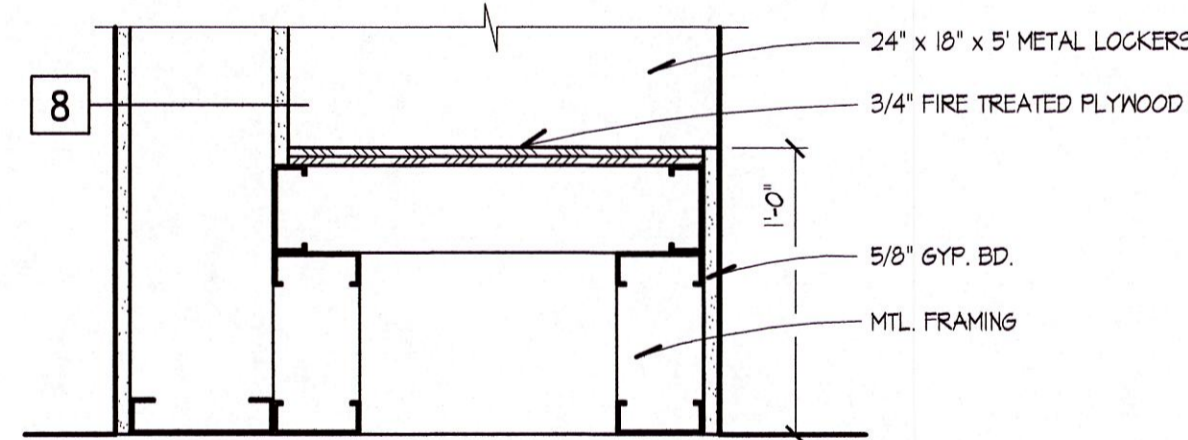
**5** **MIRROR FRAME**  
A503 SCALE: 3" = 1'-0"



**6** **MIRROR FRAME**  
A503 SCALE: 3" = 1'-0"



**7** **MIRROR**  
A503 SCALE: 1 1/2" = 1'-0"



**8** **LOCKER BASE**  
A503 SCALE: 3" = 1'-0"



THESE DRAWINGS AND THE DESIGN SHOWN HEREON ARE THE PROPERTY OF HORD ARCHITECTS. THE REPRODUCTION, COPYING OR USE OF THIS INFORMATION WITHOUT HORD ARCHITECTS' WRITTEN CONSENT IS PROHIBITED, AND ANY INFRINGEMENT WILL BE SUBJECT TO LEGAL ACTION.  
HORD ARCHITECTS ©

PROPOSED:  
**TRUMANN FIRE STATION**  
801 WEST MAIN ST, TRUMANN, AR 72472

PROJECT NO.: 2023-02  
DRAWN BY: EI  
CHECKED BY: CAH  
DATE: 07-31-2023  
REVISIONS:

SHEET NO.:  
**A503**