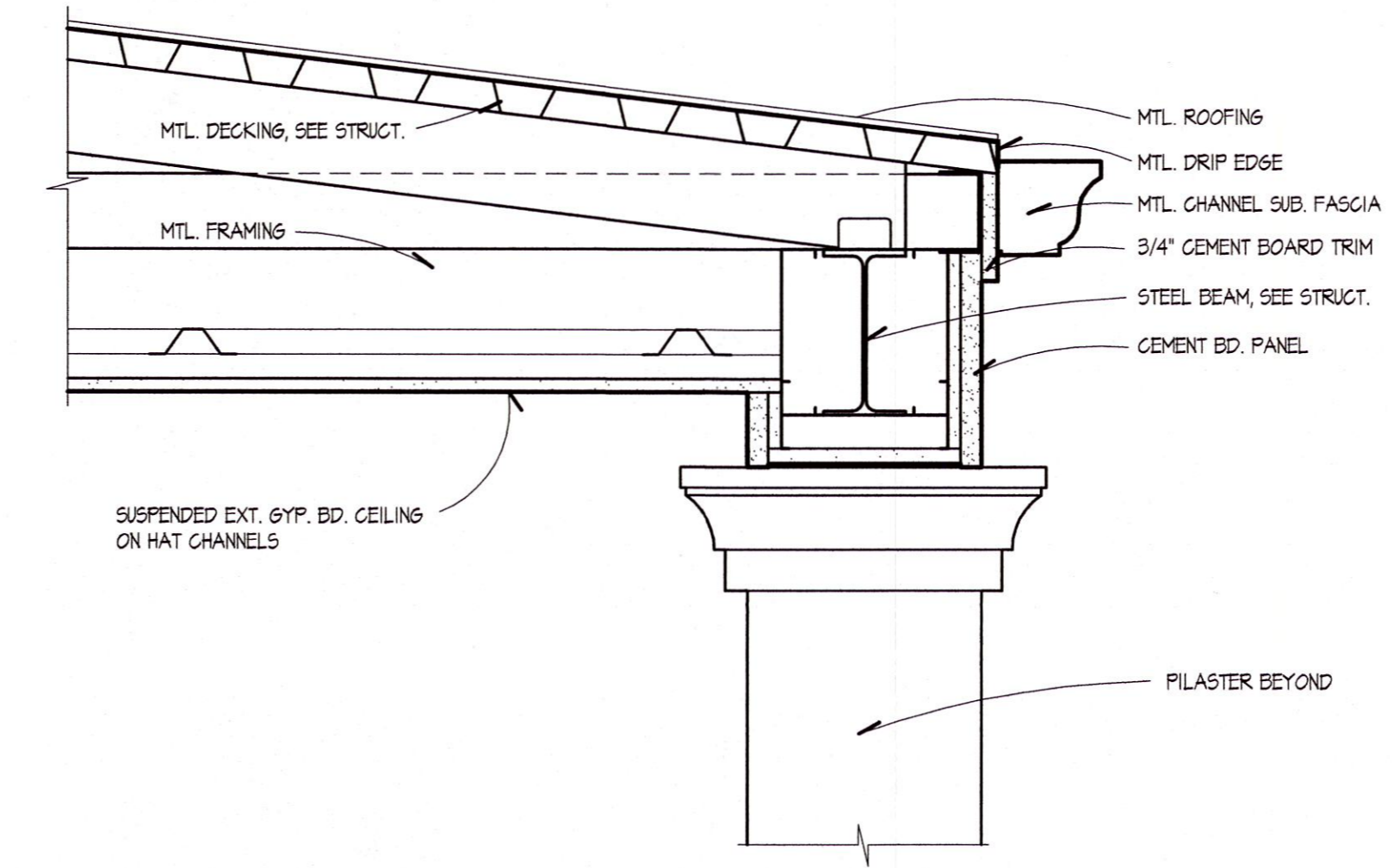
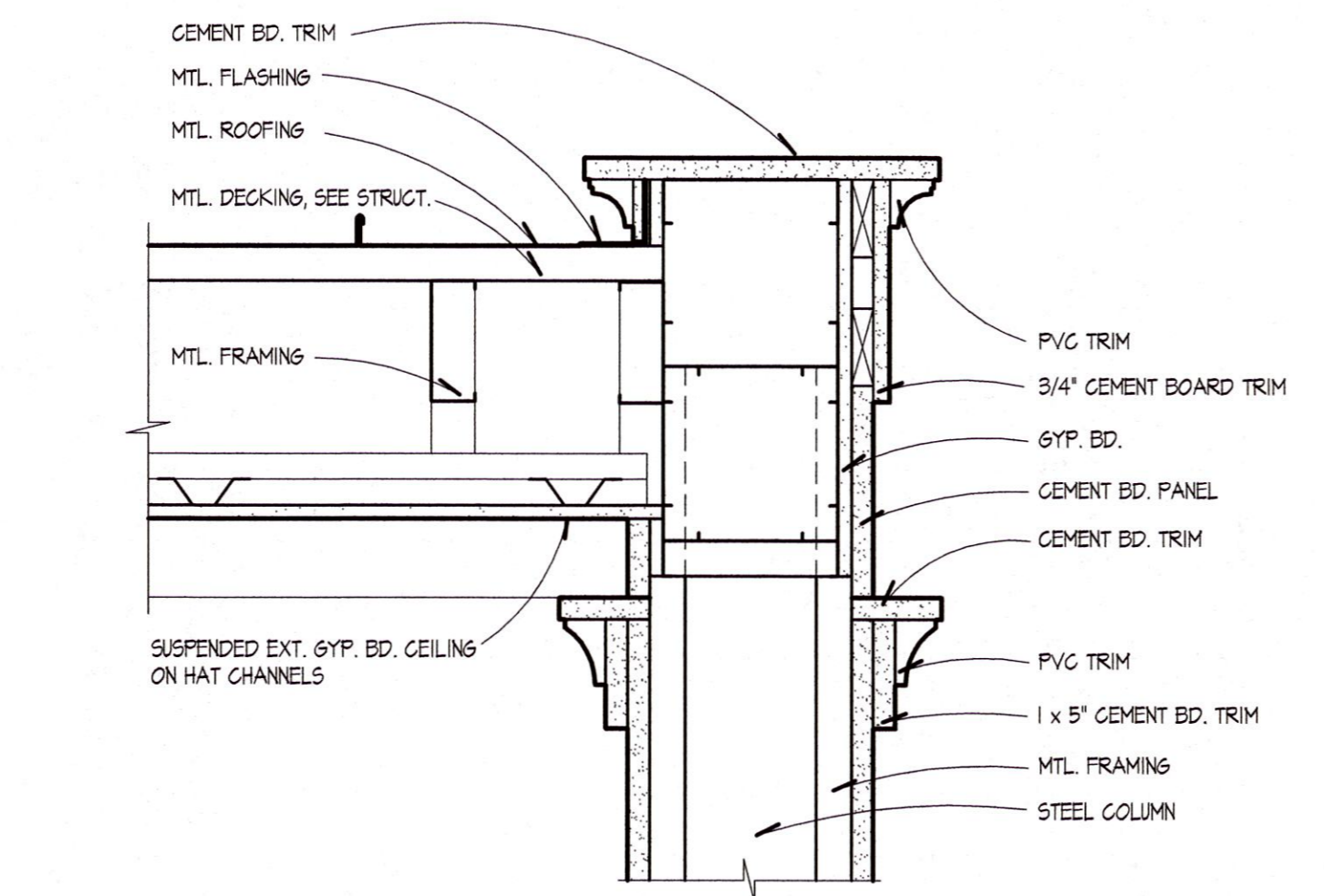


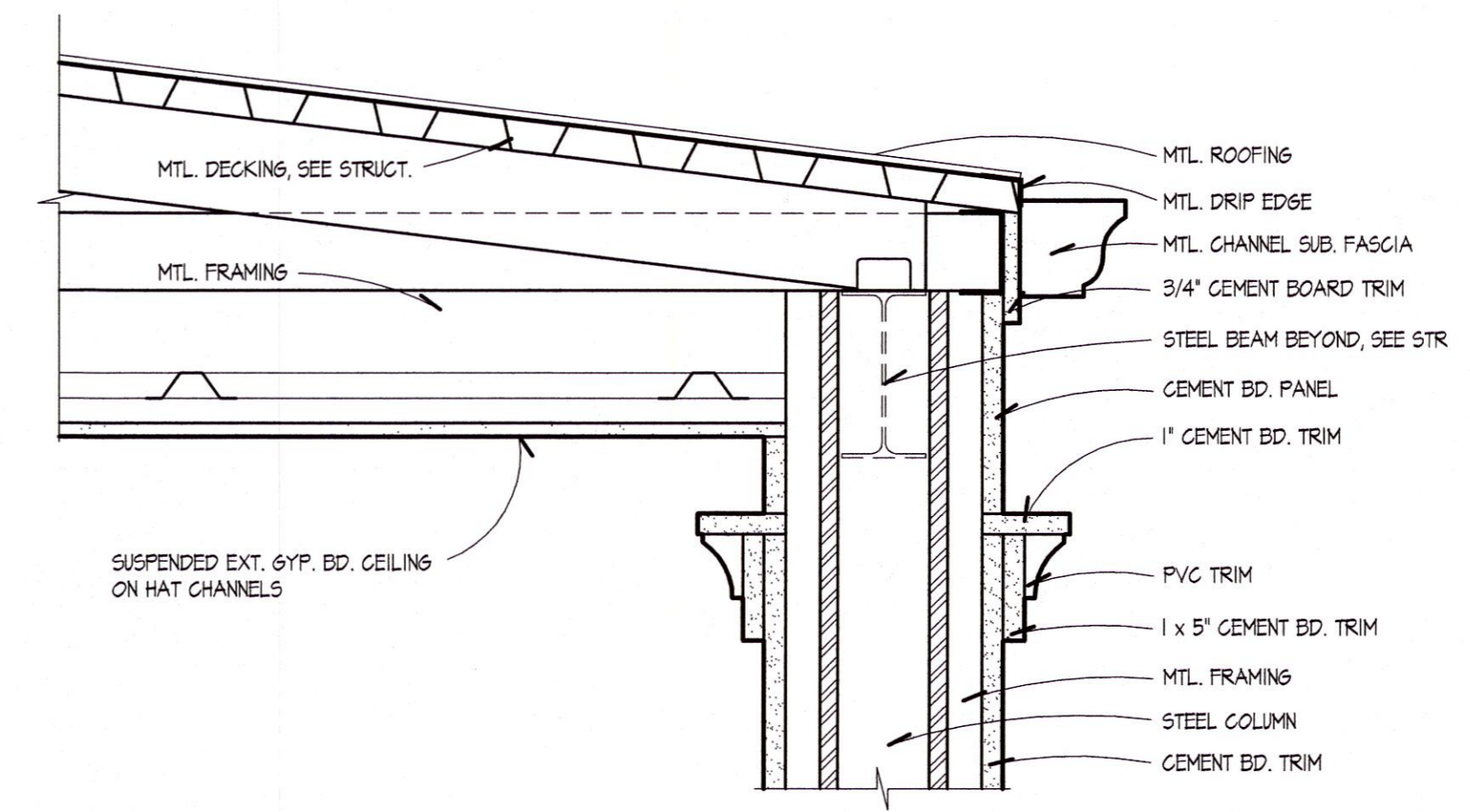
**1 WALL SECTION**  
A407 SCALE: 1-1/2" = 1'-0"



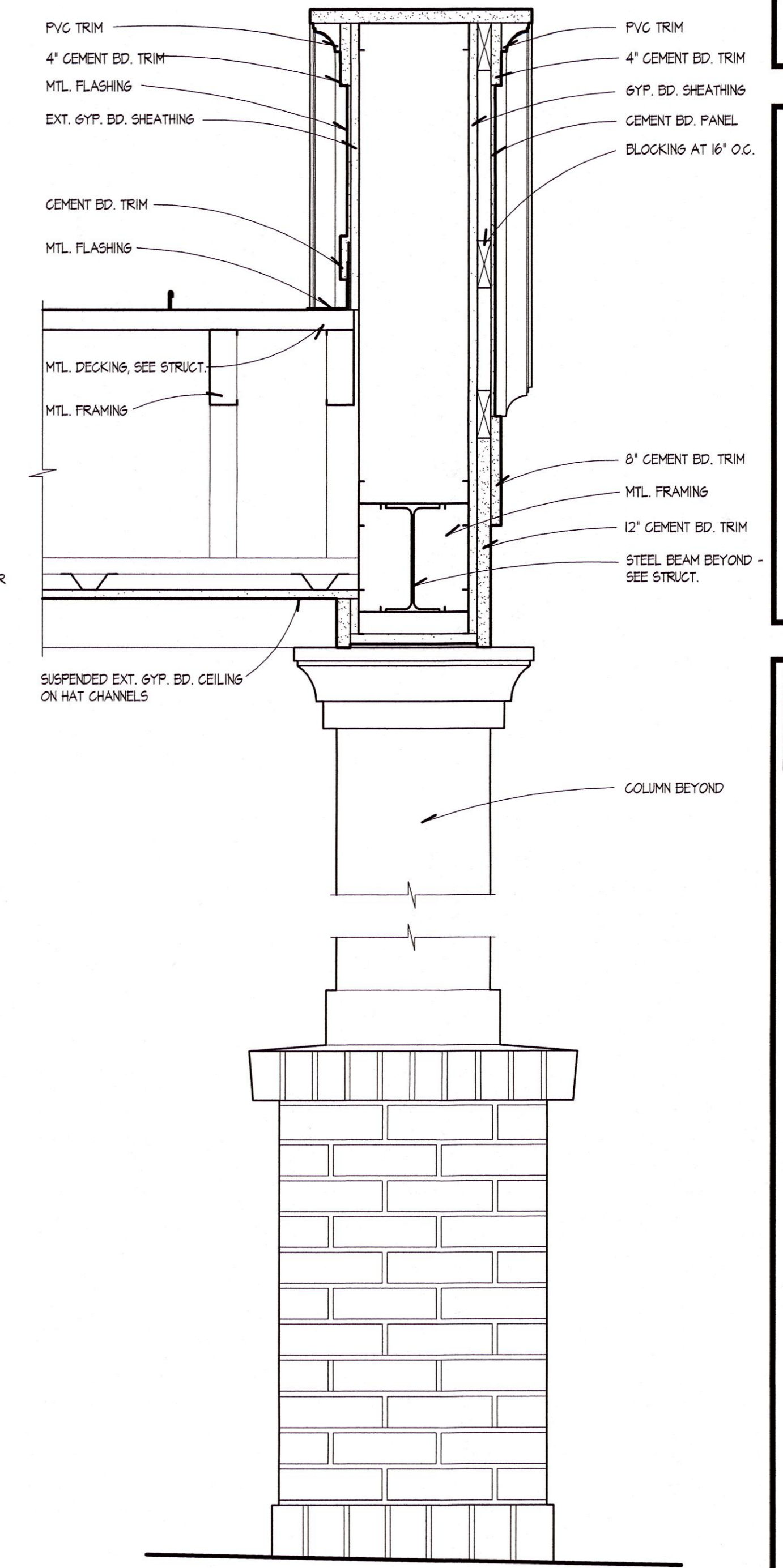
**5 WALL SECTION**  
A407 SCALE: 1-1/2" = 1'-0"



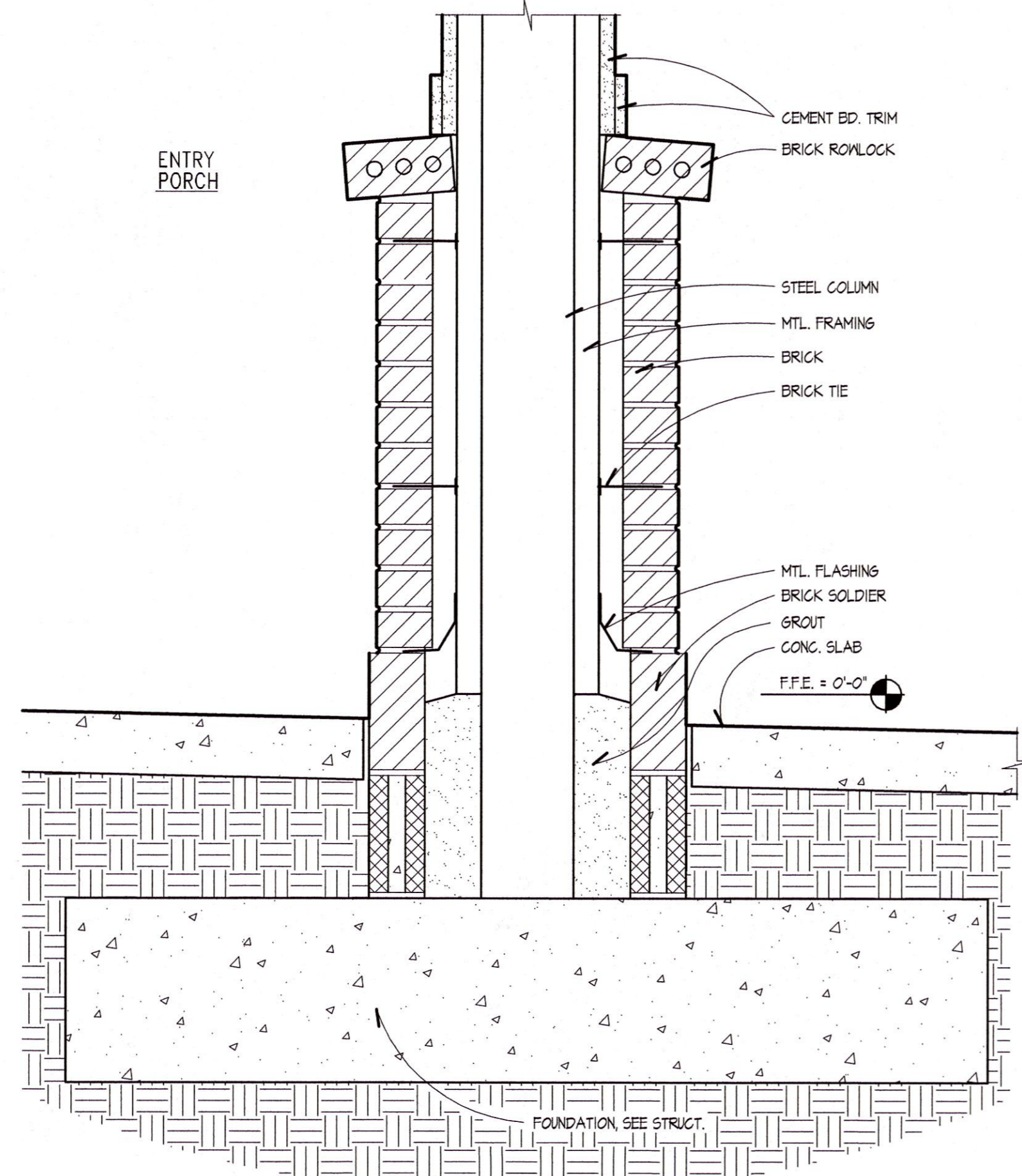
**2 WALL SECTION**  
A407 SCALE: 1-1/2" = 1'-0"



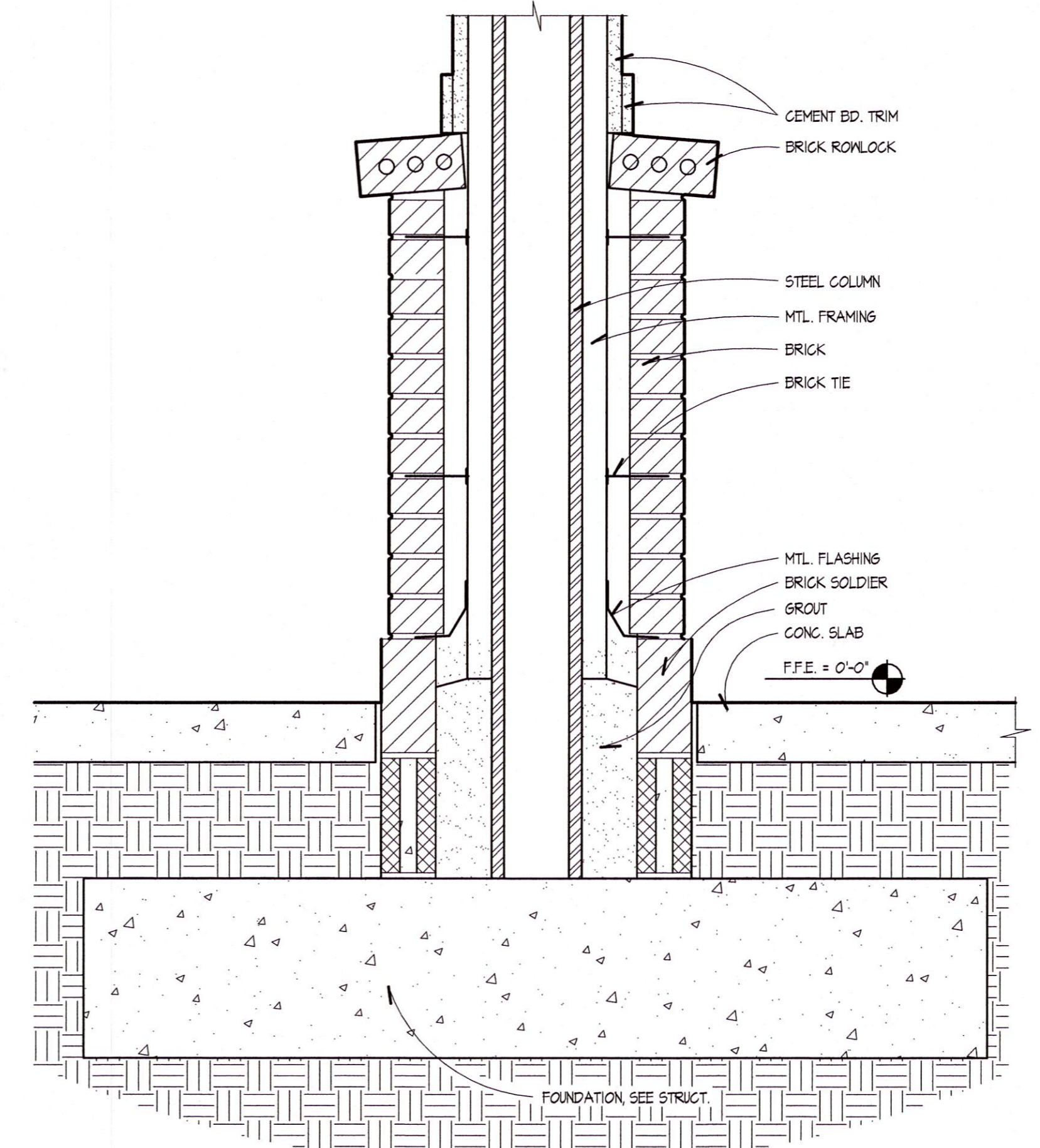
**3 WALL SECTION**  
A407 SCALE: 1-1/2" = 1'-0"



**4 WALL SECTION**  
A407 SCALE: 1-1/2" = 1'-0"

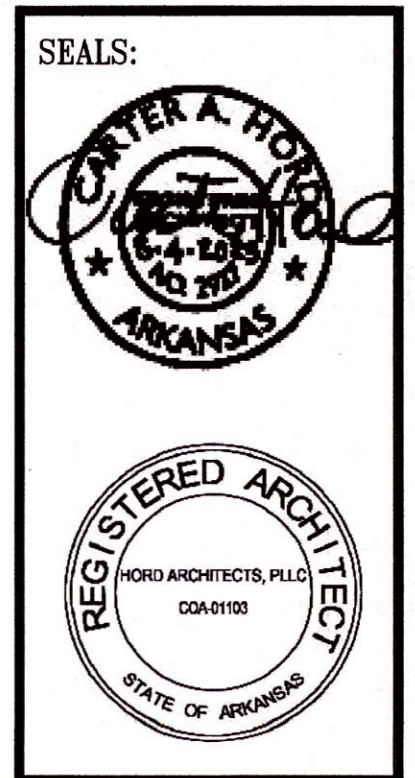


**2 WALL SECTION**  
A407 SCALE: 1-1/2" = 1'-0"



**3 WALL SECTION**  
A407 SCALE: 1-1/2" = 1'-0"

**WALL SECTIONS**



**HORD ARCHITECTS**  
MEMPHIS, TN 38103  
66 Monroe Avenue, Suite 105  
tel. 901-527-9085 fax. 901-527-9087

THESE DRAWINGS AND THE DESIGN SHOWN HEREON ARE THE PROPERTY OF HORD ARCHITECTS. THE REPRODUCTION, COPYING OR USE OF THIS INFORMATION WITHOUT HORD ARCHITECTS WRITTEN CONSENT IS PROHIBITED, AND ANY INFRINGEMENT WILL BE SUBJECT TO LEGAL ACTION.  
HORD ARCHITECTS ©

**PROPOSED:**  
**TRUMANN FIRE STATION**  
801 WEST MAIN ST, TRUMANN, AR 72472

PROJECT NO.: 2023-02  
DRAWN BY: EGI  
CHECKED BY: CAH  
DATE: 07-31-2023  
REVISIONS:

SHEET NO.:  
**A407**

COPYRIGHT HORD ARCHITECTS Aug 07, 2023 - 12:28pm